



BC Bushing Flip lock

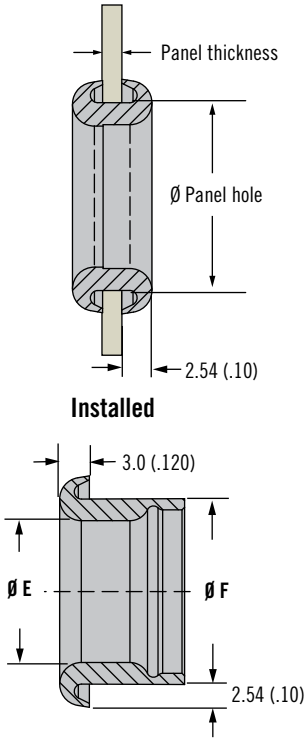
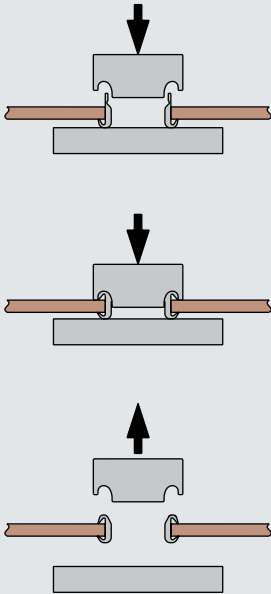
- Installs with permanent retention without use of heat or adhesive

Material and Finish

Thermoplastic black

Notes

Install tool available (see table)



Ø E	Ø F	G	Ø Panel Hole +.010 -.005
9.52 (.375)	12.4 (.49)	17.5 (.69)	12.7 (.500)
12.7 (.500)	15.5 (.61)	20.8 (.82)	15.9 (.625)
15.9 (.625)	20 (.79)	24.6 (.97)	20.6 (.812)

Part Number Selection

BC - S L

L Length	Panel Thickness
A	0.64 - 2.03 (.025 - .080)
B	2.05 - 3.56 (.081 - .140)
C	3.58 - 5.08 (.141 - .200)
D	5.10 - 6.35 (.201 - .250)

S	Ø Internal	Tool Part Number
6	9.52 (.375)	29-BC-6
8	12.7 (.500)	29-BC-8
10	15.9 (.625)	29-BC-10



www.southco.com/BC

Dimensions in millimeters (inch) unless otherwise stated