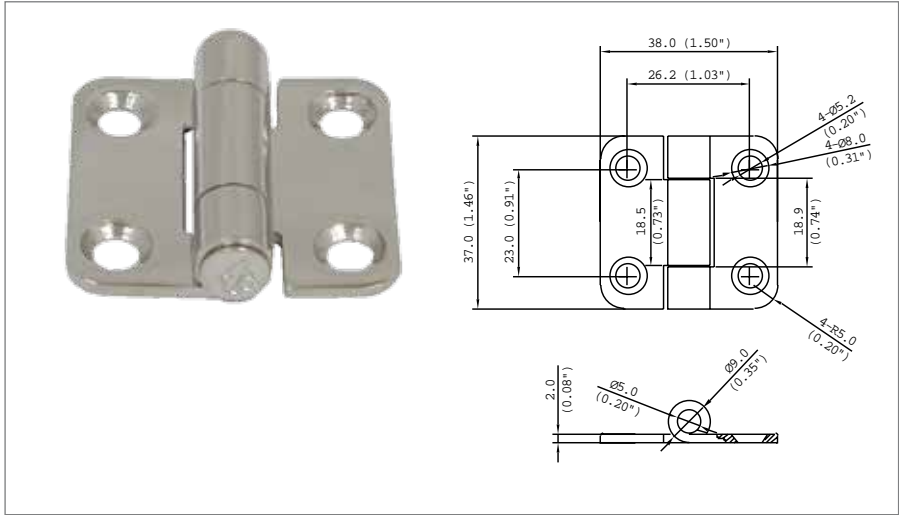


HINGES & POSITIONING TECHNOLOGY

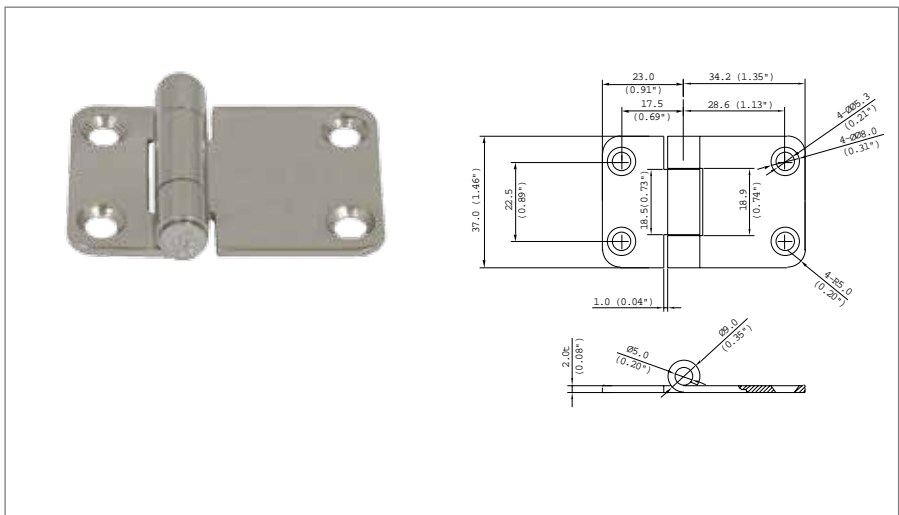
Surface Mount Hinges

C



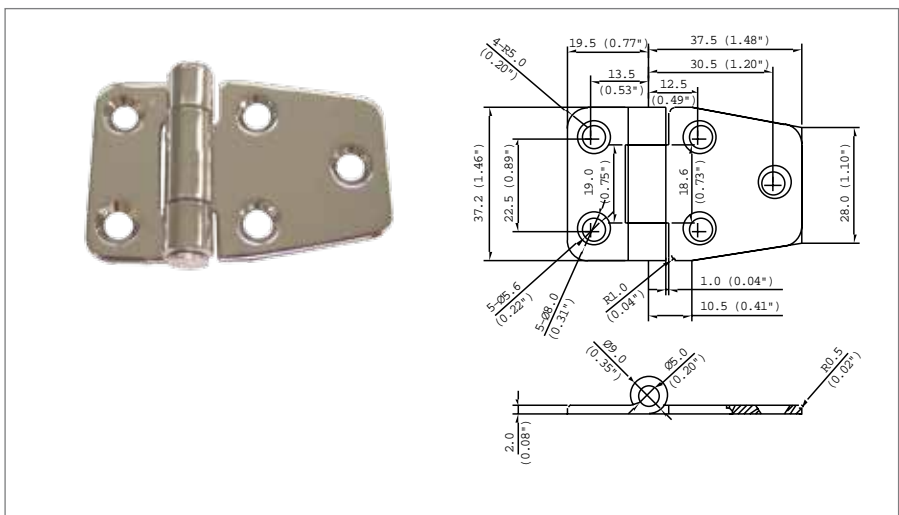
Part No: N6-5A-4V4-24

- Surface mount
- Stamped 304 stainless steel
- 37mm x 38mm



Part No: N6-5C-4V6A2-24

- Surface mount
- Stamped 304 stainless steel
- 37mm x 57mm



Part No: N6-5C-4V6-24

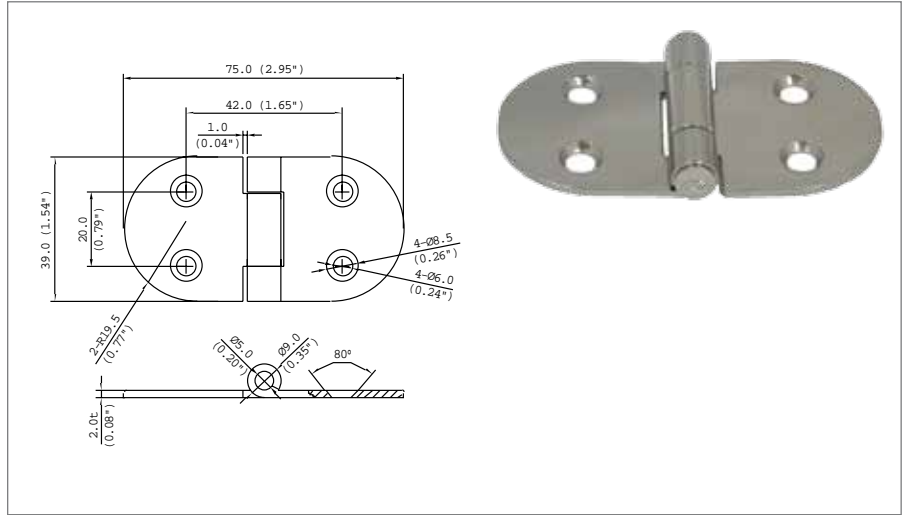
- Surface mount
- Stamped 304 stainless steel
- 37.2mm x 37mm



HINGES & POSITIONING TECHNOLOGY

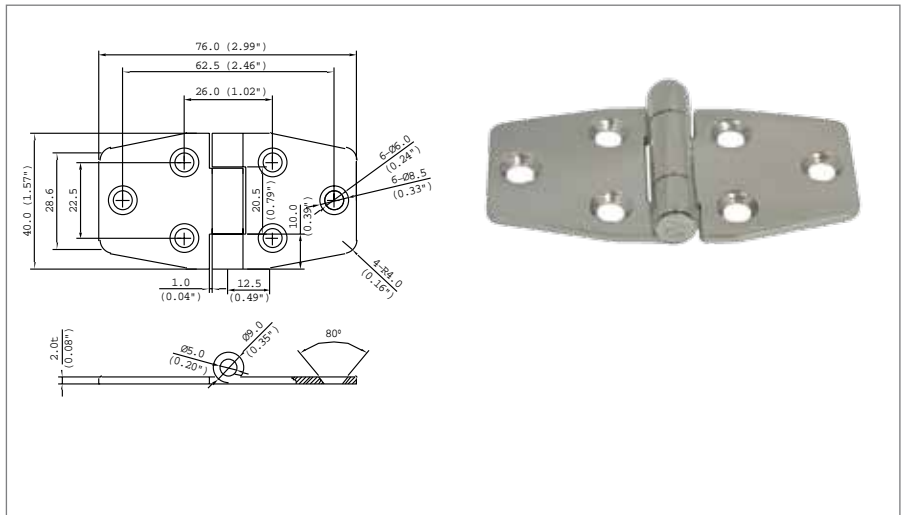
Part No: N6-5A-4V8A1-24

- Surface mount
- Stamped 304 stainless steel
- 39mm x 75mm



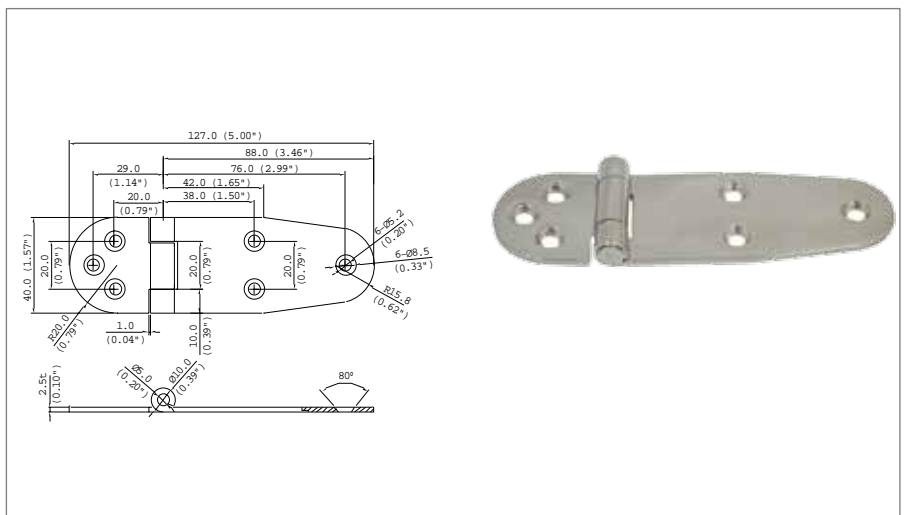
Part No: N6-5A-4V8-24

- Surface mount
- Stamped 304 stainless steel
- 40mm x 76mm



Part No: N6-6C-4V13-24

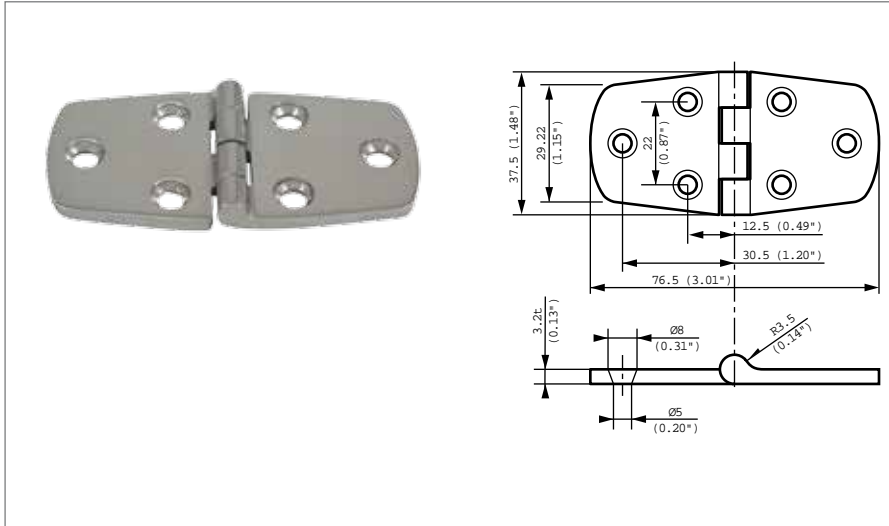
- Surface mount
- Stamped 304 stainless steel
- 40mm x 127mm



HINGES & POSITIONING TECHNOLOGY

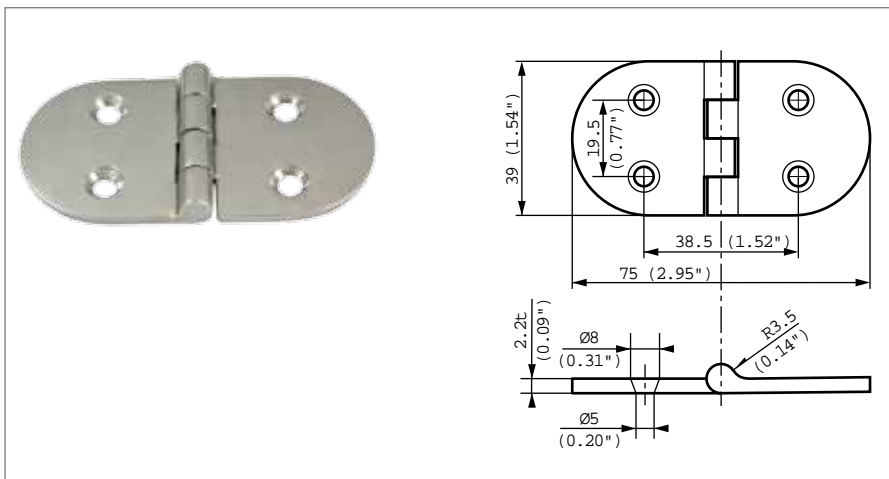
Surface Mount Hinges

C



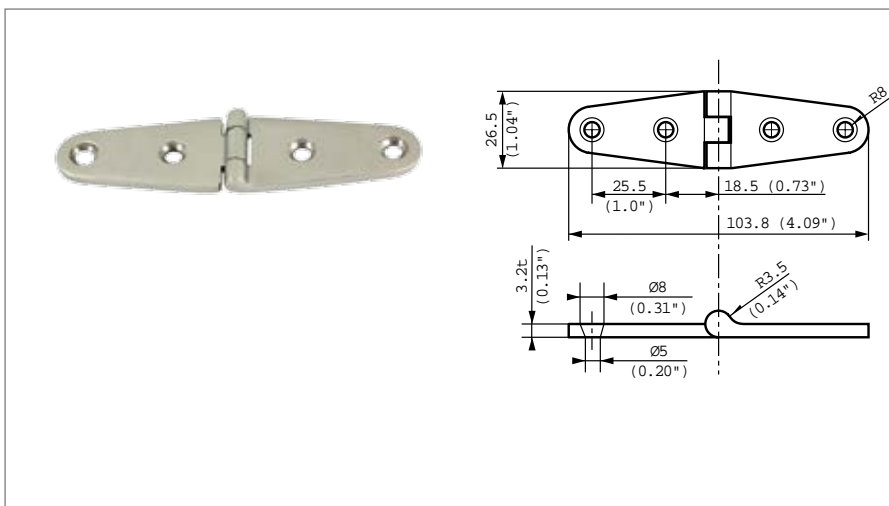
Part No: EH-4A-4V8-24

- Surface mount
- Cast 316 stainless steel
- 38mm x 77mm



Part No: EH-4A-4V8A1-24

- Surface mount
- Cast 316 stainless steel
- 39mm x 75mm



Part No: EH-4A-3V10-24

- Surface mount
- Cast 316 stainless steel
- 27mm x 104m

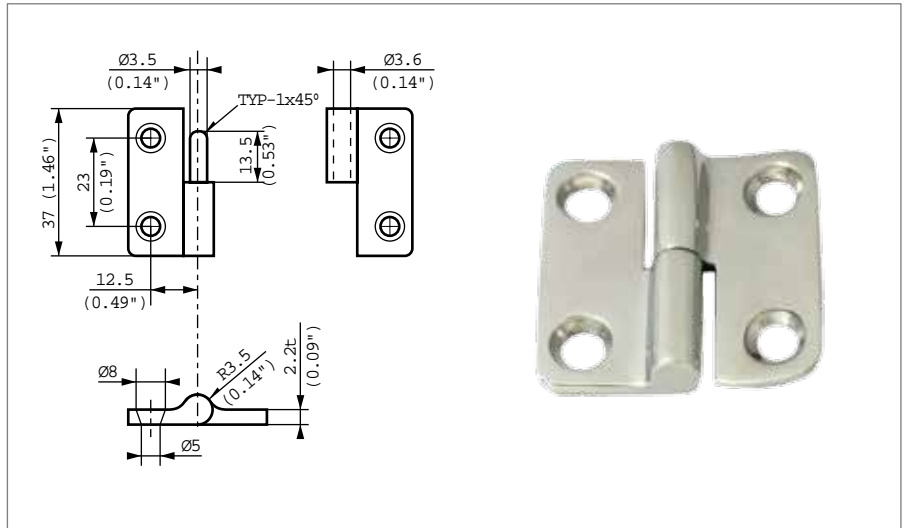


HINGES & POSITIONING TECHNOLOGY

C

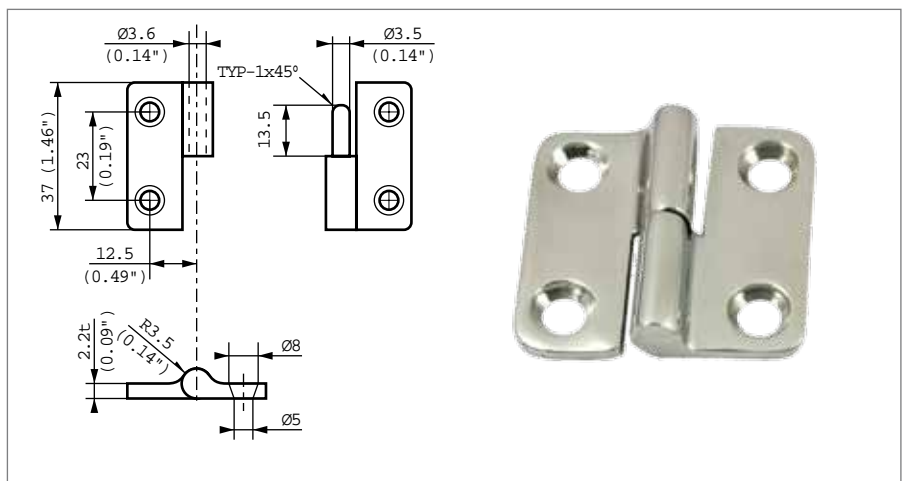
Part No: 96-VA-4A-24-1

- Surface mount
- Cast 316 stainless steel
- 37mm x 37mm
- Lift-off
- Part number comprises “male and female” leaves of 1 hinge
- Pair this hinge with opposite handing for non lift-off configuration



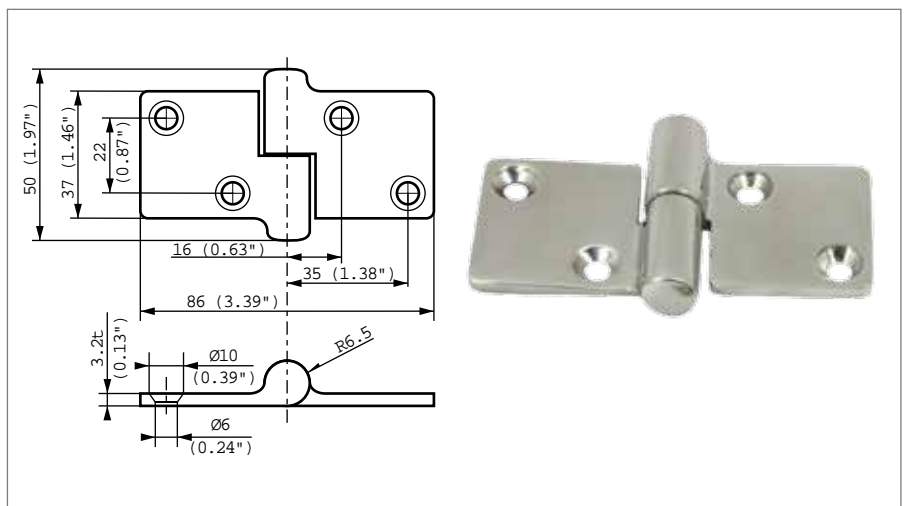
Part No: 96-VA-4B-24-1

- Surface mount
- Cast 316 stainless steel
- 37mm x 37mm
- Lift-off
- Part number comprises “male and female” leaves of 1 hinge
- Pair this hinge with opposite handing for non lift-off configuration



Part No: 96-VA-6A-24-1

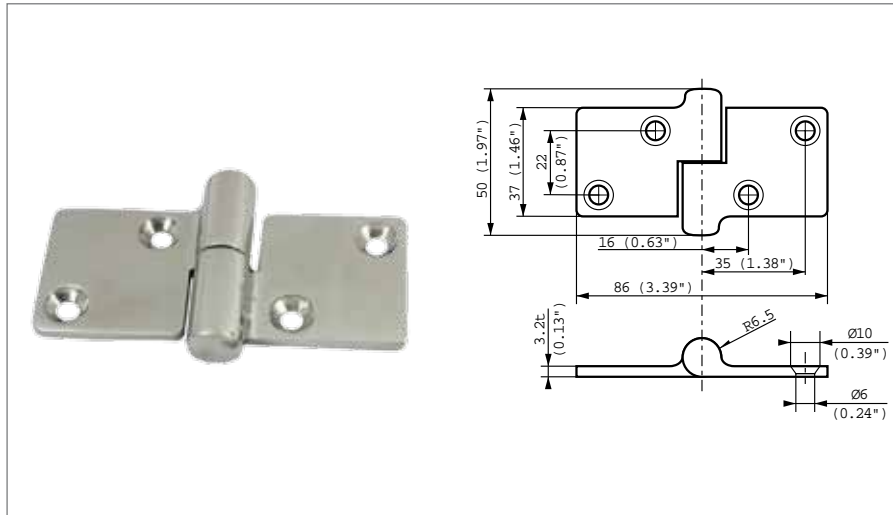
- Surface mount
- Cast 316 stainless steel
- 37mm x 37mm
- Lift-off
- Part number comprises “male and female” leaves of 1 hinge
- Pair this hinge with opposite handing for non lift-off configuration



HINGES & POSITIONING TECHNOLOGY

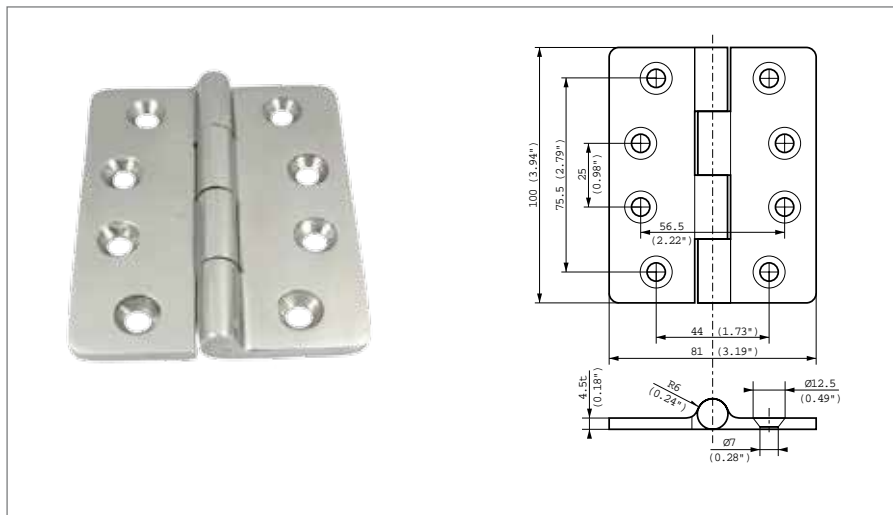
Surface Mount Hinges

C



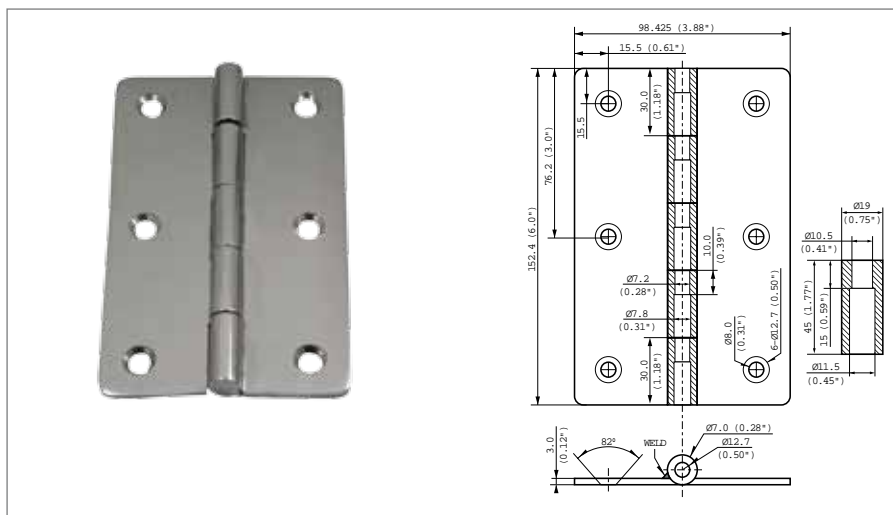
Part No: 96-VA-6B-24-1

- Surface mount
- Cast 316 stainless steel
- 37mm x 37mm
- Lift-off
- Part number comprises “male and female” leaves of 1 hinge
- Pair this hinge with opposite handing for non lift-off configuration



Part No: EH-6A-10V8-24

- Surface mount
- Cast 316 stainless steel
- 100mm x 81mm



Part No: EH-6A-15V10-24

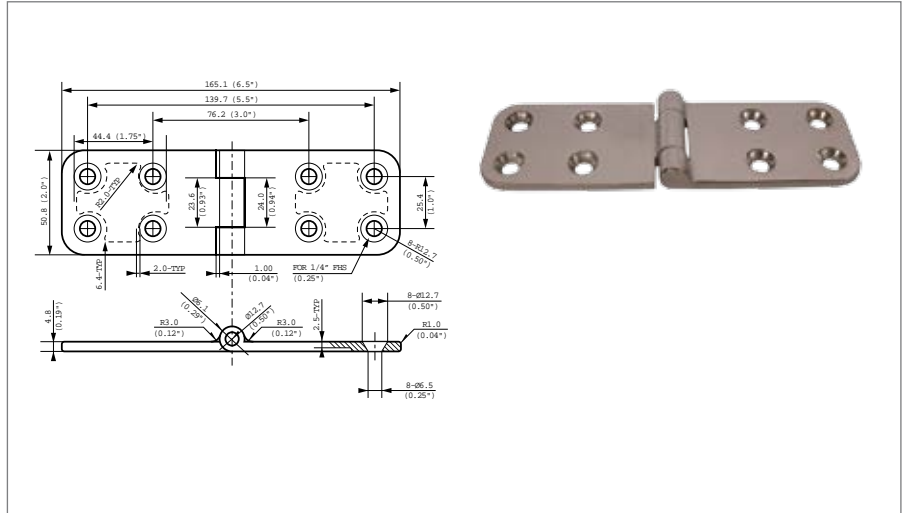
- Surface mount
- Cast 316 stainless steel
- 152mm x 98mm



HINGES & POSITIONING TECHNOLOGY

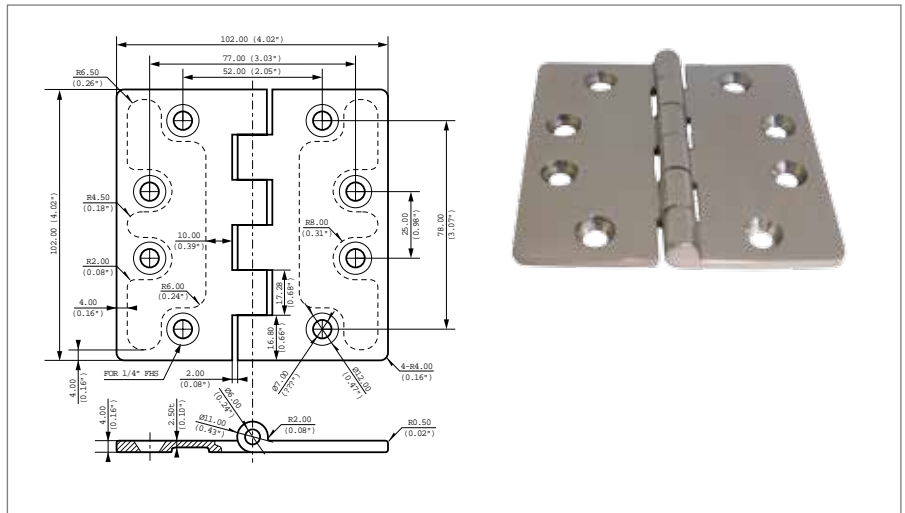
Part No: EH-6A-5V17-24

- Surface mount
- Cast 316 stainless steel
- 50mm x 168mm



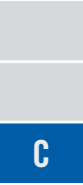
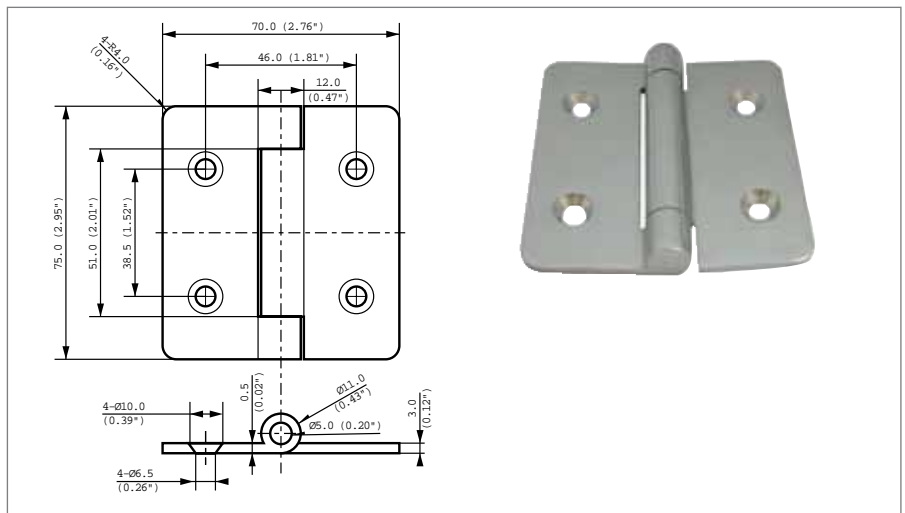
Part No: EH-6A-10V10-24

- Surface mount
- Cast 316 stainless steel
- 102mm x 102mm



Part No: EH-6A-8V7-24

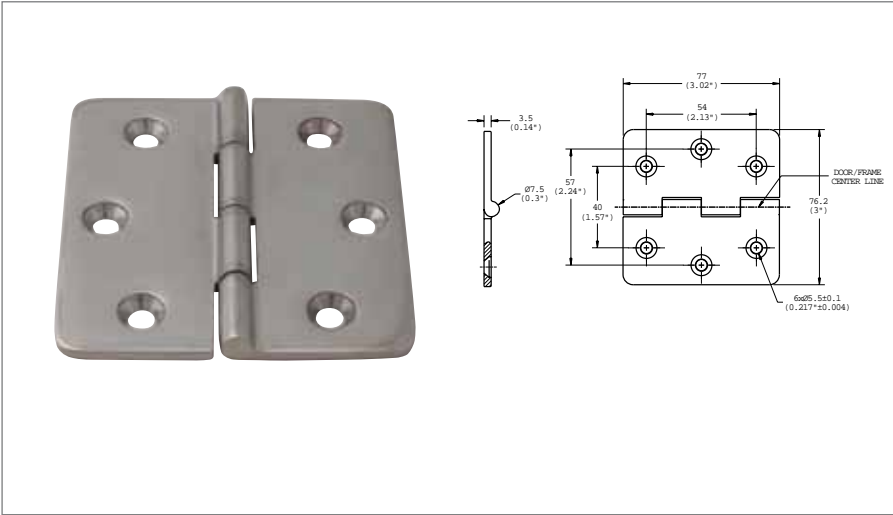
- Surface mount
- Cast 316 stainless steel
- 75mm x 70mm



HINGES & POSITIONING TECHNOLOGY

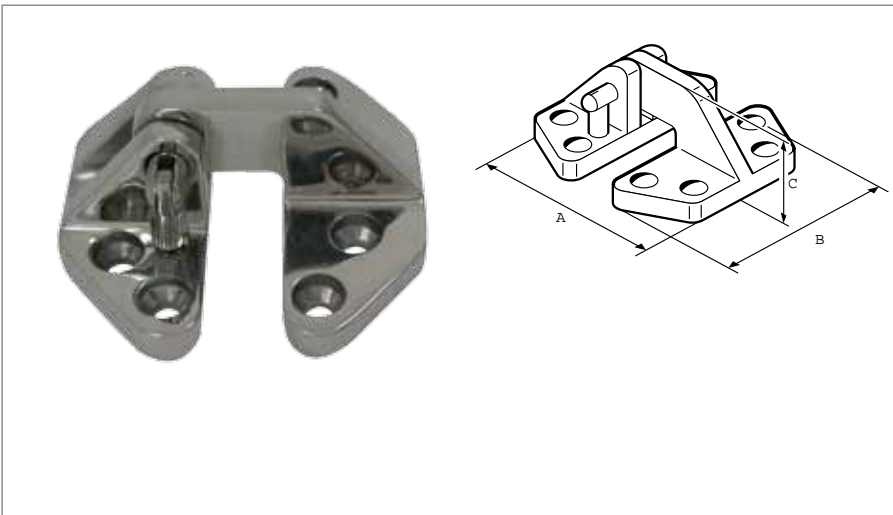
Surface Mount Hinges

C



Part No: EH-4A-8V8-24

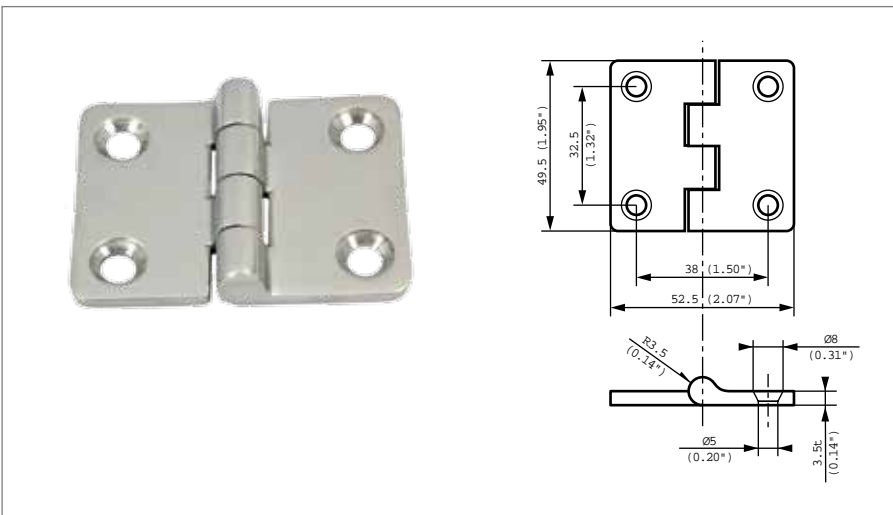
- Surface mount
- Cast 316 stainless steel
- 77mm x 76mm



Part No: EH-90-8631408

- Hatch hinge - Lock pin
- Features a removable lock pin
- Cast 316 stainless steel construction
- 72mm x 70mm

A mm	Bmm	C mm
70 (2 3/4")	72 (2 13/16")	30 (1 3/16")

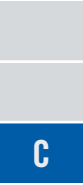


Part No: EH-4A-5V5-24

- Surface mount
- 316 stainless steel
- 50mm x 52mm

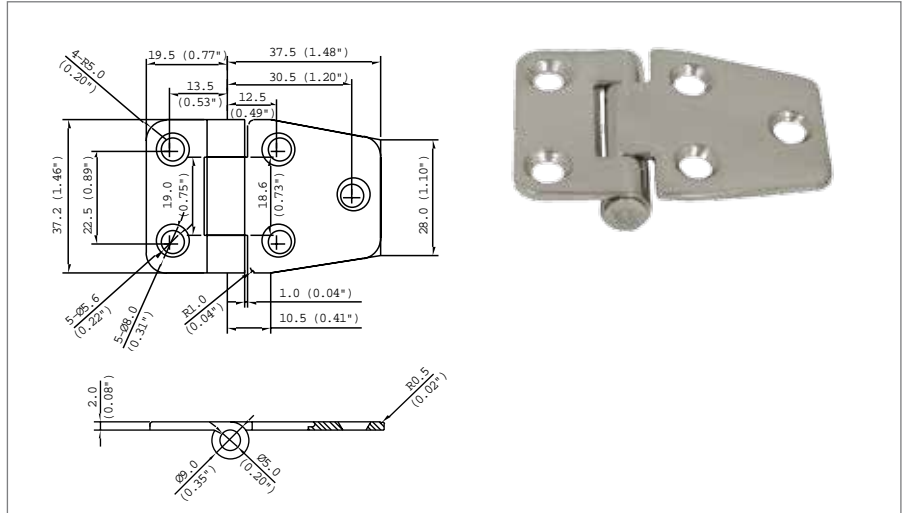


HINGES & POSITIONING TECHNOLOGY Flush Mount Hinges



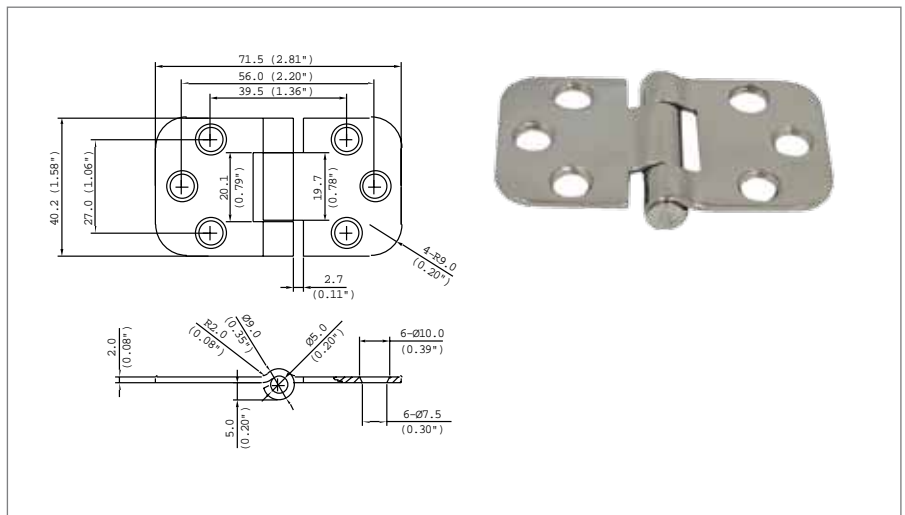
Part No: N6-5CF-4V6-24

- Flush mount
- Stamped 304 stainless steel
- 37mm x 57mm



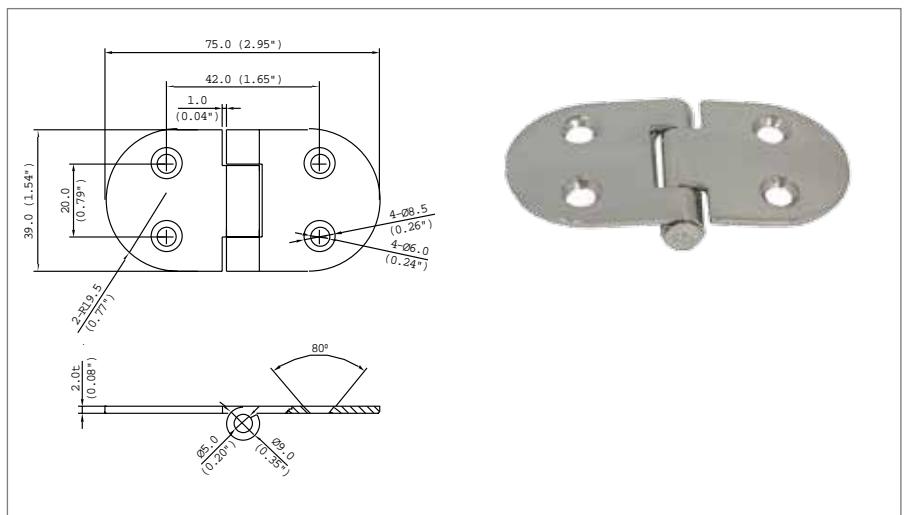
Part No: N6-5AF-4V7A1-24

- Flush mount
- Stamped 304 stainless steel
- 40mm x 72mm



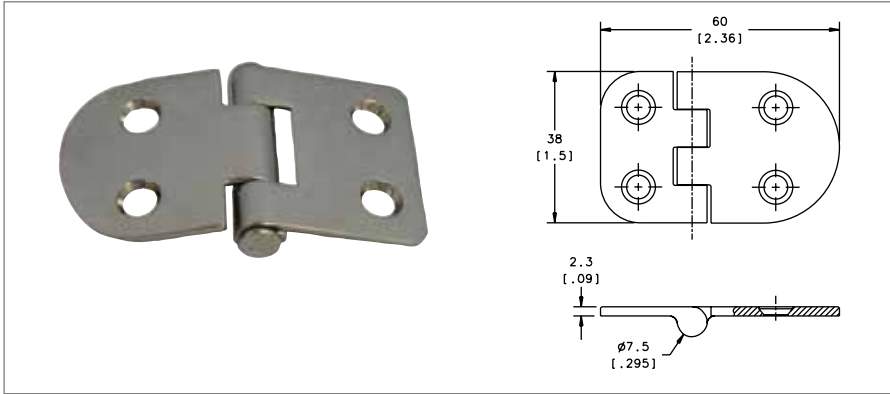
Part No: N6-5AF-4V8A1-24

- Flush mount
- Stamped 304 stainless steel
- 39mm x 75mm



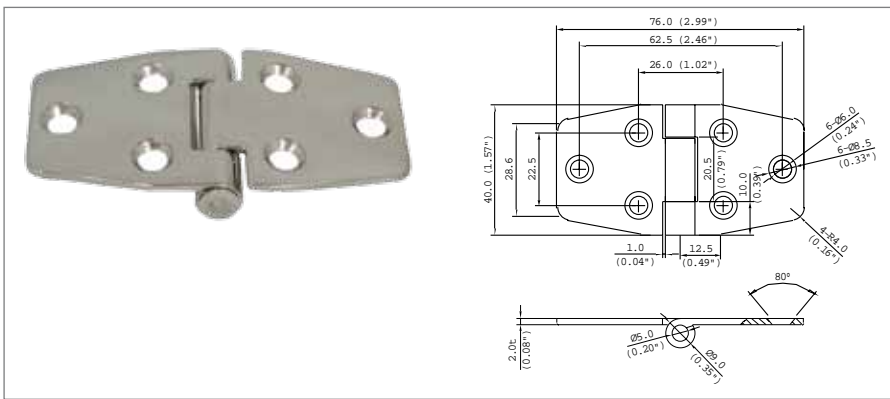
Flush Mount Hinges POSITIONING TECHNOLOGY

C



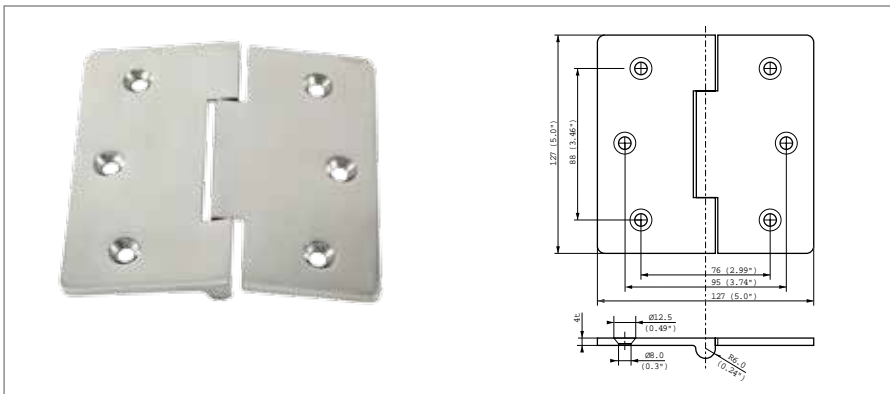
Part No: EH-4CF-4V6-24

- Flush mount
- Cast 316 stainless steel
- 37mm x 57mm



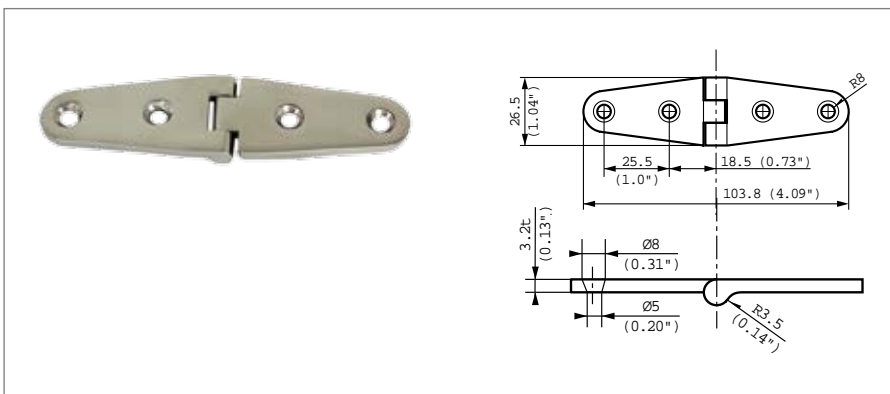
Part No: N6-5AF-4V8-24

- Flush mount
- Stamped 304 stainless steel
- 39mm x 75mm



Part No: EH-6AF-13V13-24

- Flush mount
- Cast 316 stainless steel
- 127mm x 127mm



Part No: EH-4AF-3V10-24

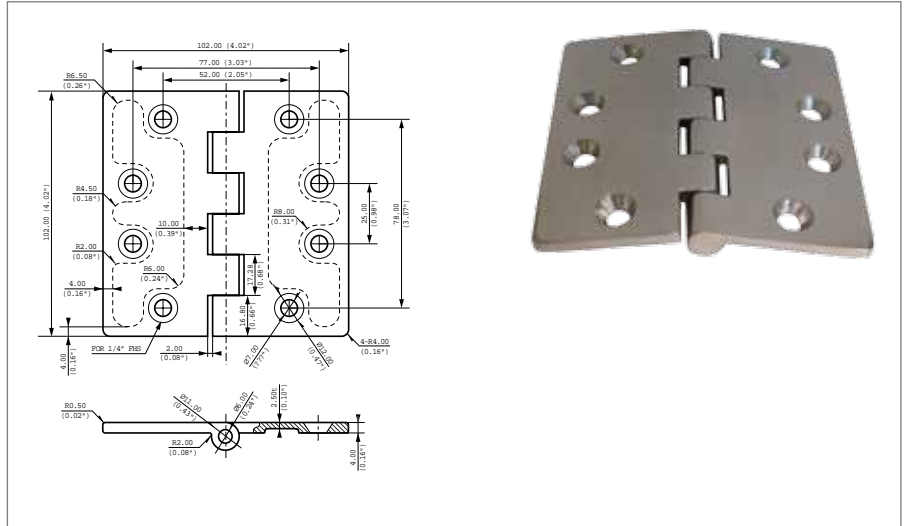
- Flush mount
- Cast 316 stainless steel
- 27mm x 104m



HINGES & POSITIONING TECHNOLOGY

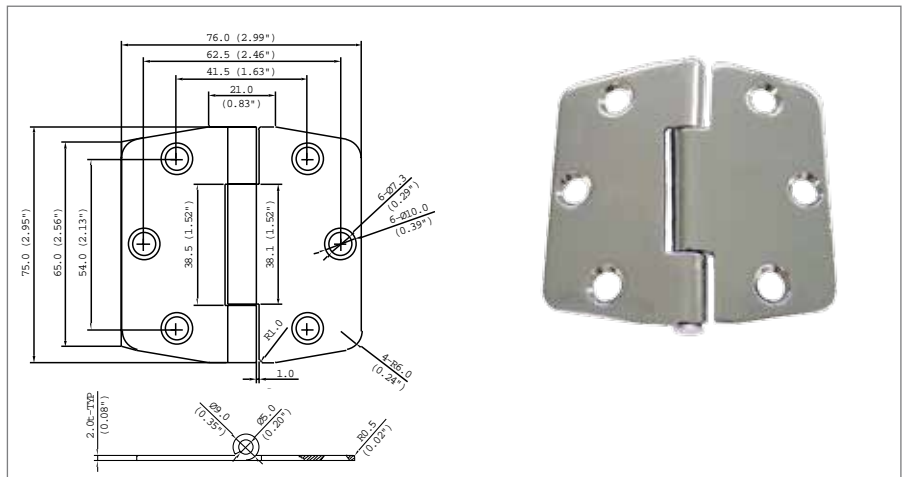
Part No: EH-6AF-10V10-24

- Flush mount
- Cast 316 stainless steel
- 102mm x 102mm



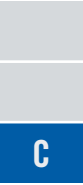
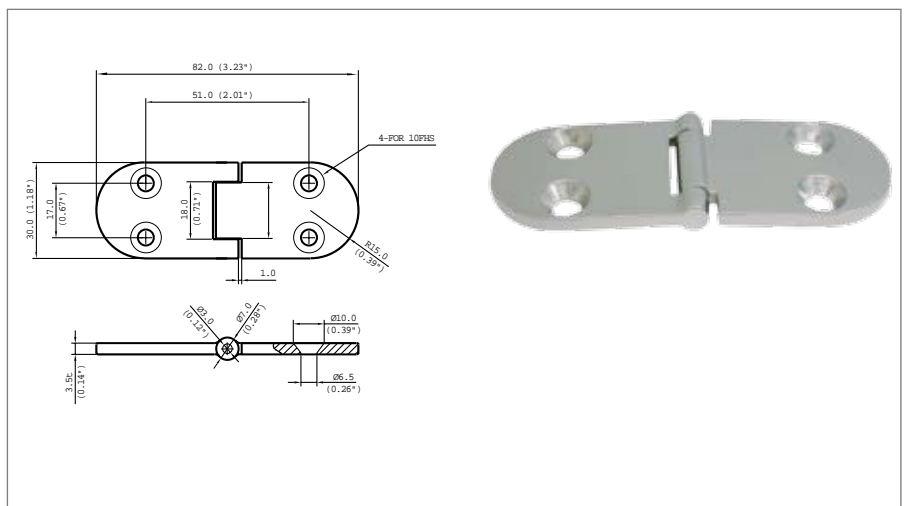
Part No: N6-5AF-8V8-24

- Flush mount
- Stamped 304 stainless steel
- 75mm x 76mm



Part No: EH-4A-3V8-24

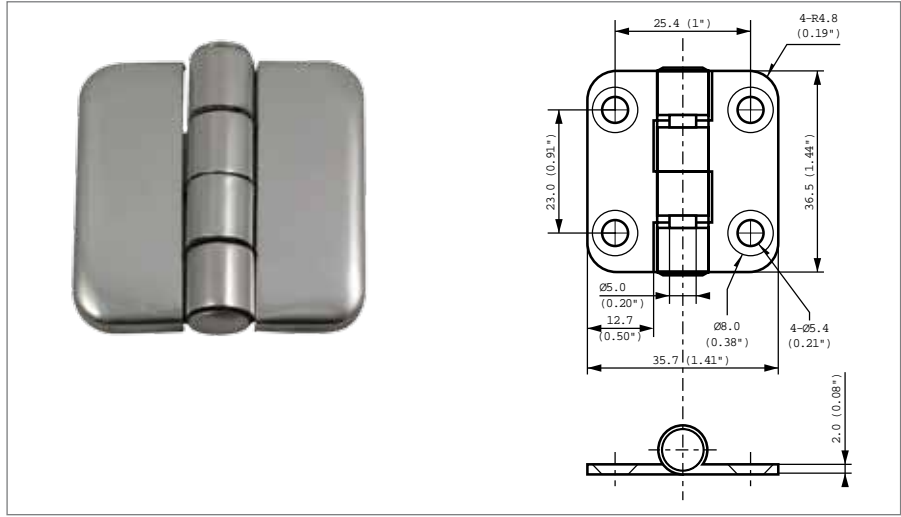
- Flush mount
- Cast 316 stainless steel
- 30mm x 82mm



HINGES & POSITIONING TECHNOLOGY

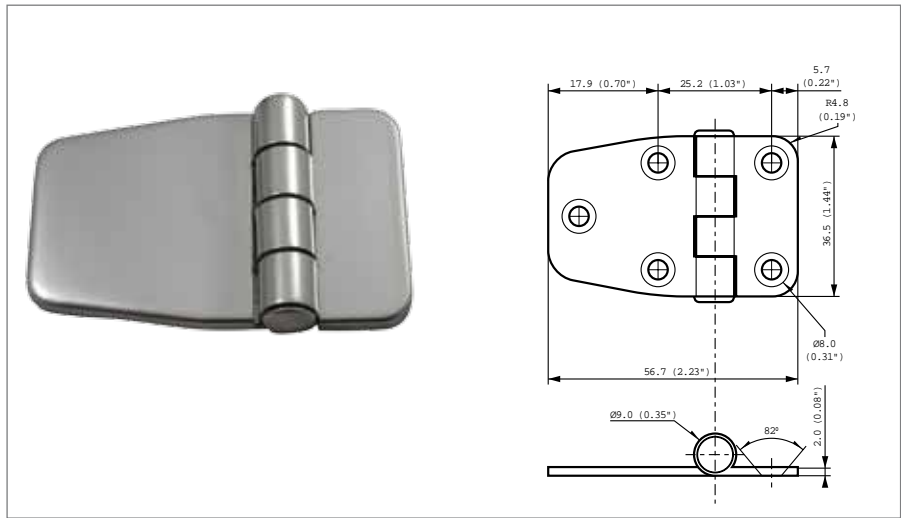
Covered Mount Hinges

C



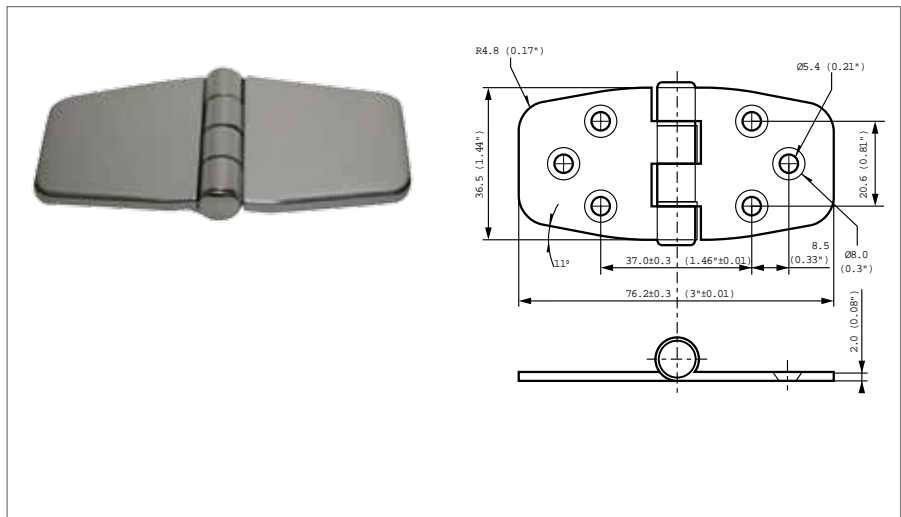
Part No: N6-5A-4VC4-24

- Covered hinge
- Surface mount
- 316 stainless steel covers
- 36mm x 38mm



Part No: N6-5C-4VC6-24

- Covered hinge
- Surface mount
- 316 stainless steel covers
- 37mm x 57mm



Part No: N6-5A-4VC8-24

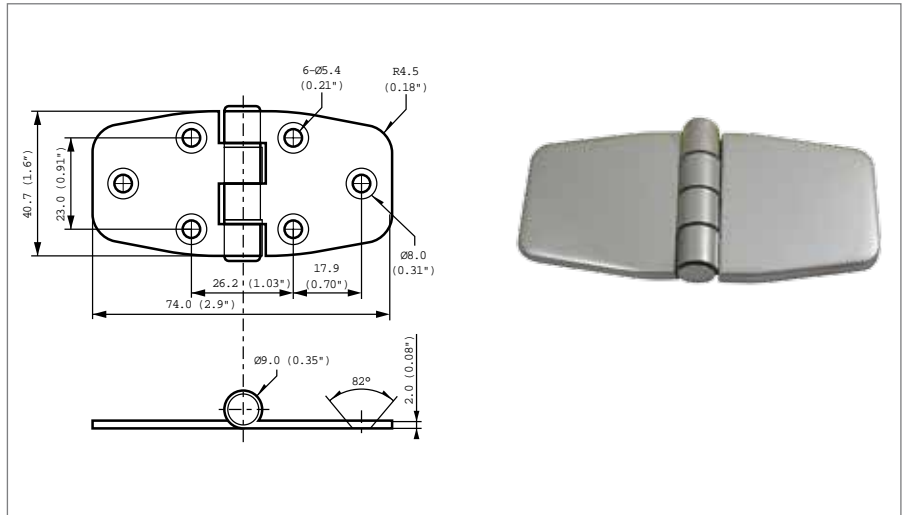
- Covered hinge
- Surface mount
- 316 stainless steel covers
- 37mm x 76mm



HINGES & POSITIONING TECHNOLOGY

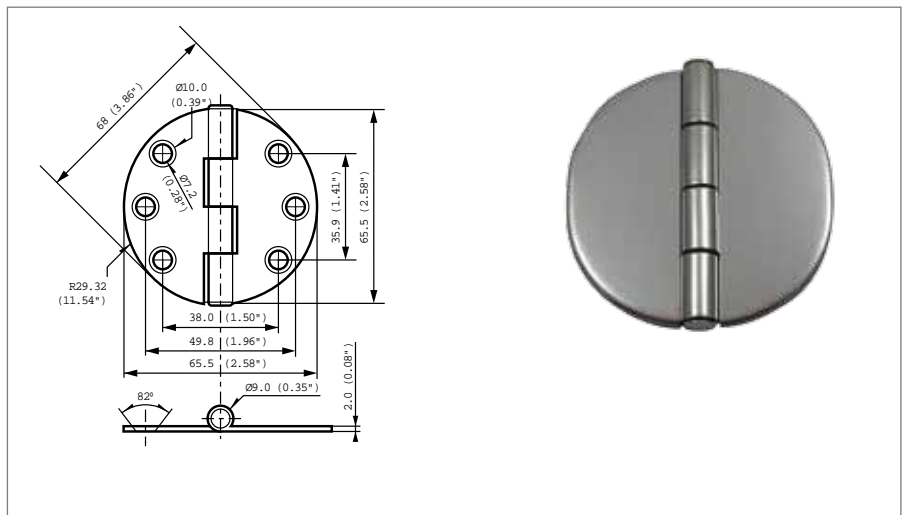
Part No: N6-5A-4VC7-24

- Covered hinge
- Surface mount
- 316 stainless steel covers
- 41mm x 74mm



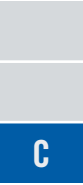
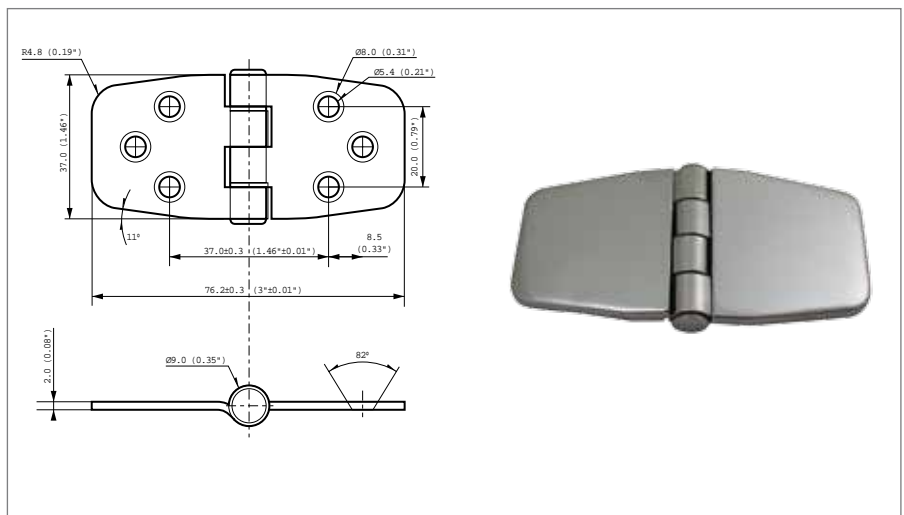
Part No: N6-5A-7VC7-24

- Covered hinge
- Surface mount
- 316 stainless steel covers
- 66mm x 66mm



Part No: N6-5AF-4VC8-24

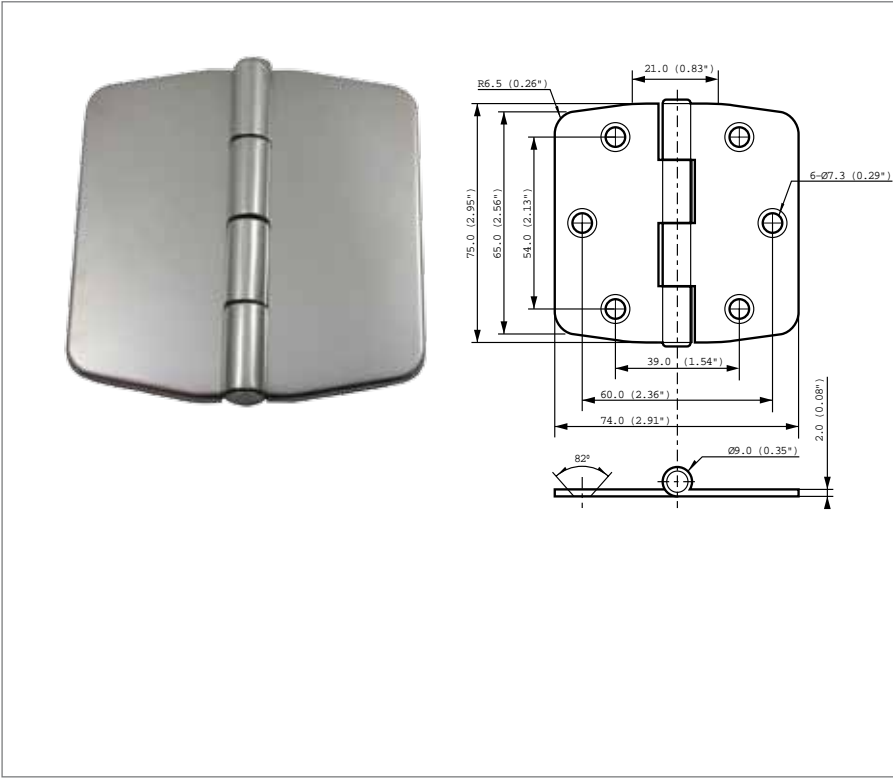
- Covered hinge
- Flush mount
- 316 stainless steel covers
- 37mm x 76mm



HINGES & POSITIONING TECHNOLOGY

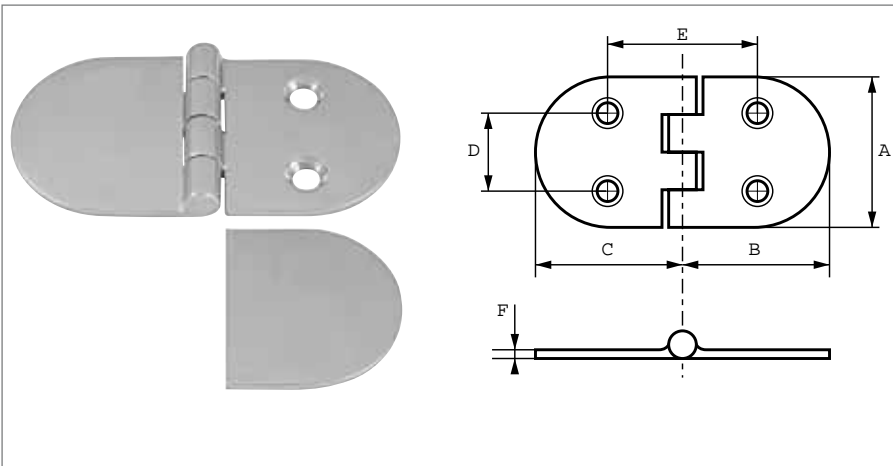
Covered Mount Hinges

C



Part No: N6-5A-8VC7-24

- Covered hinge
- Surface mount
- 316 stainless steel covers
- 75mm x 74mm



Part No: N6-5A-4VC8A1-24

- Covered hinge
- Surface mount
- 316 stainless steel covers
- 38mm x 76mm

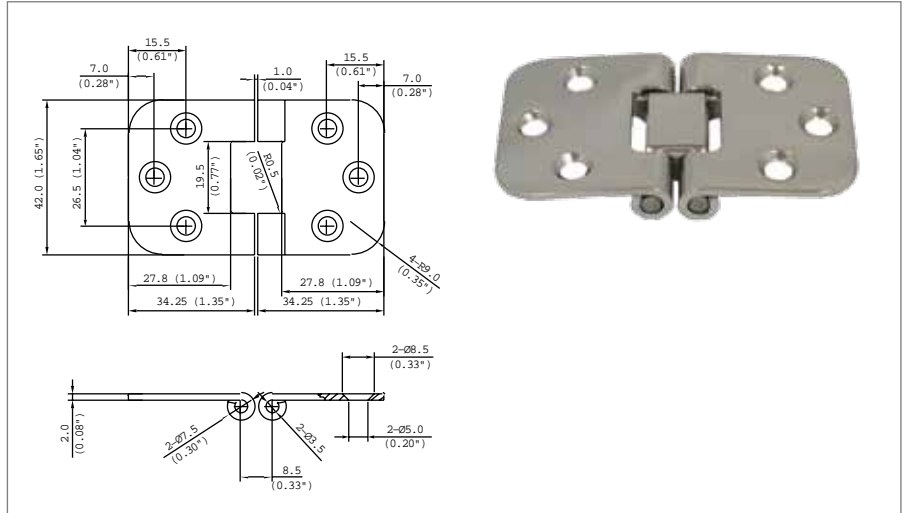
Part No	Model	A	B	C	D	E	F
N6-5A-4VC8A1-24	Surface mount	38.1 (1 1/2")	38.1 (1 1/2")	38.1 (1 1/2")	19 (3/4")	41.3 (1 5/8")	4 (5/32")
N6-5AF-4VC8A1-24	Flush mount	38.1 (1 1/2")	38.1 (1 1/2")	38.1 (1 1/2")	19 (3/4")	41.3 (1 5/8")	4 (5/32")



HINGES & POSITIONING TECHNOLOGY Two Pivot Hinges

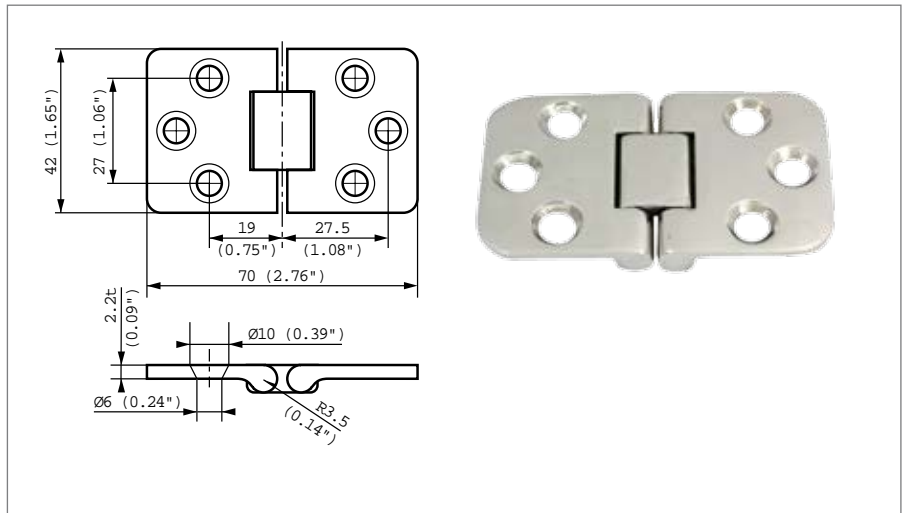
Part No: N6-5DF-4V7A3-24

- Flush mount
- Two Pivot
- Stamped 304 stainless steel
- 42mm x 69mm



Part No: EH-4DF-4V7-24

- Flush mount
- Two pivot
- Cast 316 stainless steel
- 42mm x 70mm



Part No: EH-4DF-4V4-24

- Flush mount
- Two pivot
- Cast 316 stainless steel
- 40mm x 42mm

