

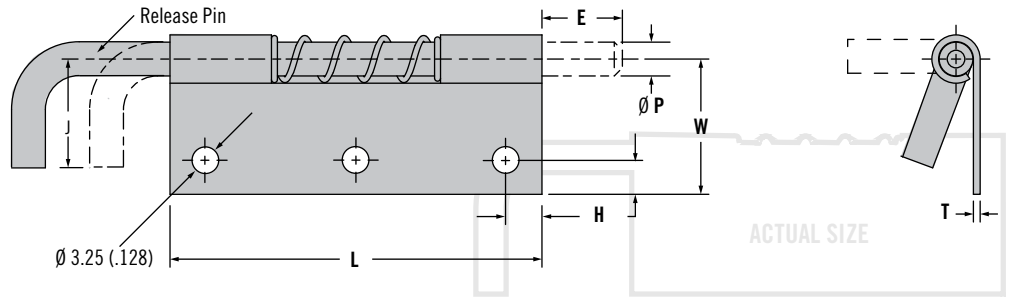


F6 Hinge

Door removal

Material and Finish

Steel, zinc plated or stainless steel



S Size	L	E	H	J	P	T	W
3 - 4	22.2 (.88)	4 (.16)	4.0 (.16)	10 (.39)	3.0 (.12)	0.8 (.03)	13 (.50)
7 - 8	34.9 (1.38)	6.4 (.25)	4.8 (.19)	13 (.50)	4.0 (.15)	1.0 (.04)	19 (.75)
11 - 12	50.8 (2.00)	9.5 (.38)	6.4 (.25)	16 (.63)	4.5 (.18)	1.3 (.05)	22 (.87)
15 - 16	69.9 (2.75)	12.7 (.50)	6.4 (.25)	19 (.75)	6.4 (.25)	1.5 (.06)	25.5 (1.00)

Part Number Selection

Other options available. For complete details on variety, part numbers, installation and specification, go to

INFO CLIC www.southco.com/F6

- M** Material and Finish
N Steel, zinc plated
S Stainless steel

S Size

- 3** 22 (0.87) Left Hand
- 4** 22 (0.87) Right Hand
- 7** 35 (1.38) Left Hand
- 8** 35 (1.38) Right Hand
- 11** 51 (2.00) Left Hand
- 12** 51 (2.00) Right Hand
- 15** 70 (2.75) Left Hand
- 16** 70 (2.75) Right Hand (shown)

F6 - 23 - M S AW

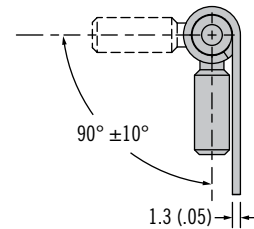
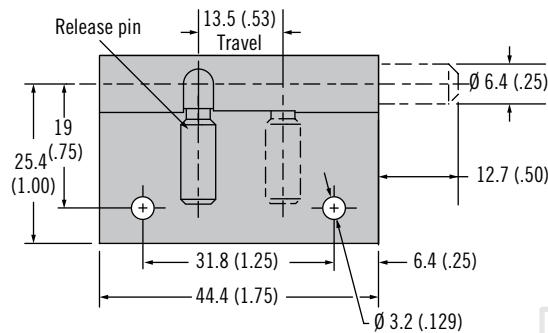


F6 Hinge

Door removal

Material and Finish

Steel, zinc plated or stainless steel



Part Number

See table

	Part Number	
Handling	Steel	Stainless Steel
Right (shown)	F6-20-N1A50WR	F6-20-S1A50WR
Left	F6-20-N1A50WL	F6-20-S1A50WL

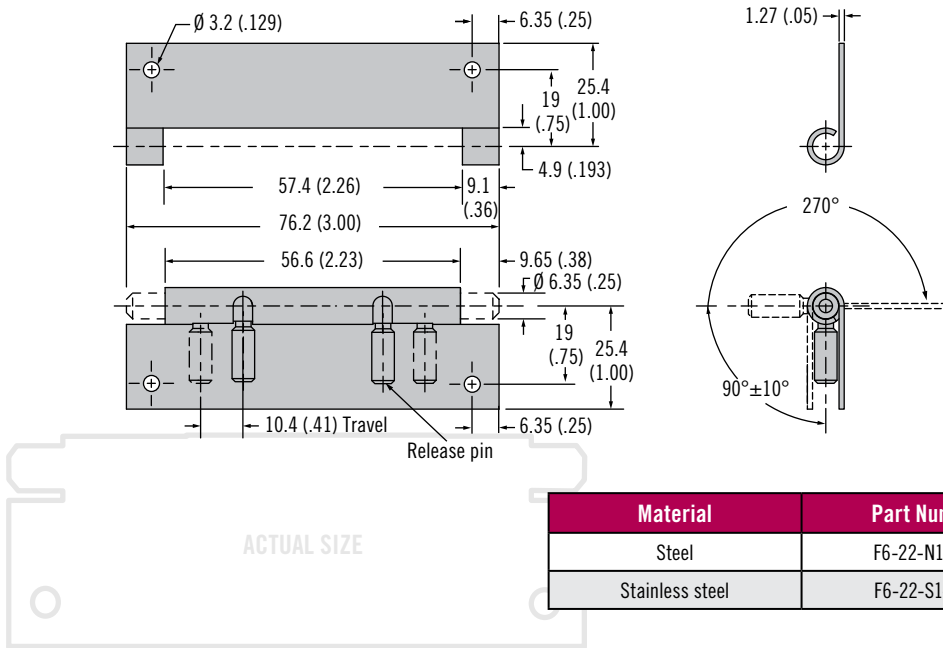
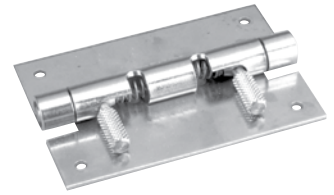
Other options available. For complete details on variety, part numbers, installation and specification, go to

INFO CLIC www.southco.com/F6

Dimensions in millimeters (inch) unless otherwise stated

F6 Hinge

Door removal



ACTUAL SIZE

Material	Part Number
Steel	F6-22-N1-3W1
Stainless steel	F6-22-S1-3W1

- Easy to install and operate
- Locking feature for simple removal and replacement

Material and Finish

Steel, zinc plated or stainless steel

Part Number

See table

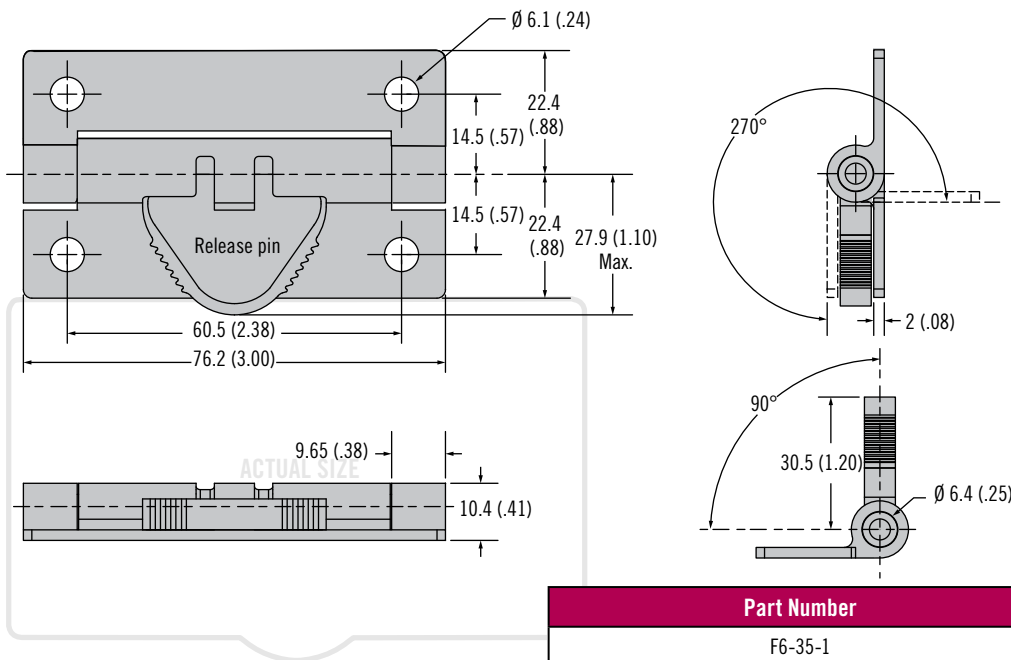
Other options available. For complete details on variety, part numbers, installation and specification, go to



www.southco.com/F6

F6 Hinge

Door removal



ACTUAL SIZE

Part Number
F6-35-1

- Light-weight
- Made from non-conducting, non-corrosive materials

Material and Finish

ABS, nylon and acetal, black

Part Number

See table

Other options available. For complete details on variety, part numbers, installation and specification, go to



www.southco.com/F6