



# KH Hinge

## Corner mount

- Fits flush while allowing full 180° rotation
- Dual mounting screws provide added security
- Allows door removal for service and access

### Material and Finish

Leaf: Zinc alloy, black powder coated or chrome plated  
Pin: Steel, zinc plated

### Performance Details

#### Zinc

Radial load:

Max. static load: 3000 N (670 lbf)

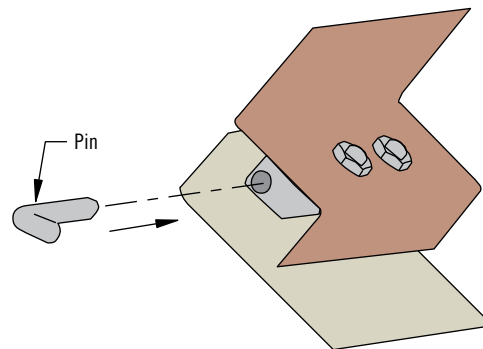
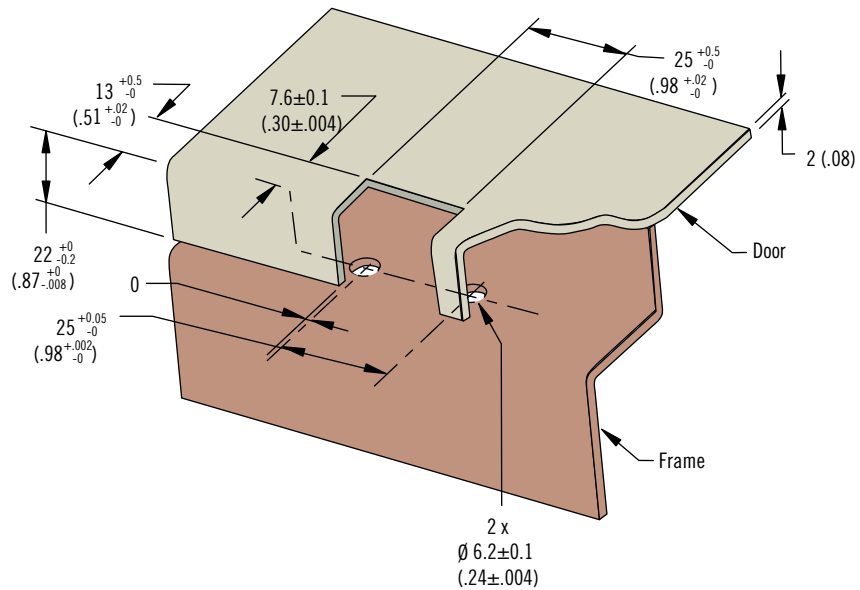
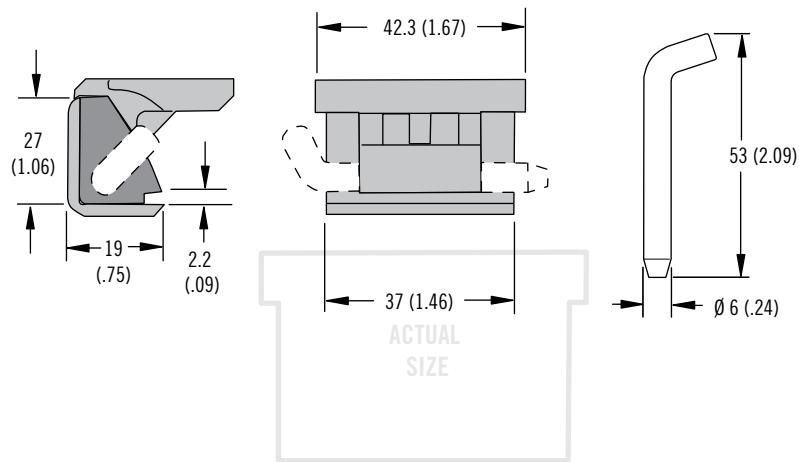
Axial load:

Max. static load: 3000 N (670 lbf)

### Installation Notes

Attach hinge with M6 screws and nuts (not supplied)

Max. tightening torque of screw:  
5 N·m (45 in·lbf)



### Part Number

See table

Order hinge and hinge pin separately

Part Number	
Bright Chrome	Black Powder Coated
KH-62-V1-38	KH-62-V1-50

Part Number
Steel Hinge Pin
KH-G



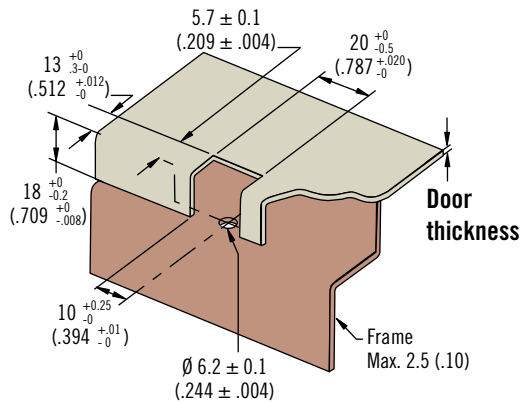
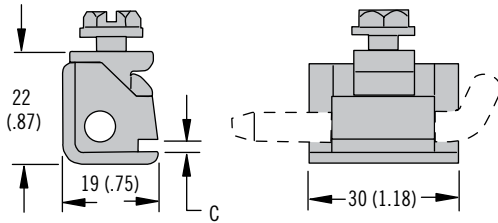
[www.southco.com/KH](http://www.southco.com/KH)

Dimensions in millimeters (inch) unless otherwise stated

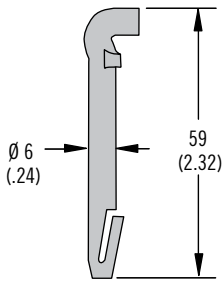
**southco**  
CONNECT · CREATE · INNOVATE

# KH Hinge

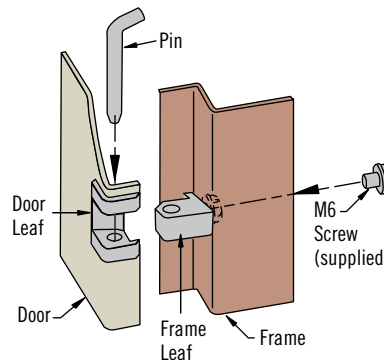
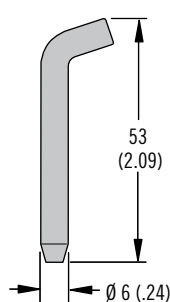
## Corner mount



### Plastic



### Steel



- Fits flush while allowing full 180° rotation
- Installs quickly with only one mounting screw
- Allows door removal for service and access

### Material and Finish

Leaf: Zinc alloy, black powder coated or chrome plated  
Pin: Steel, zinc plated, plastic

### Performance Details

#### Zinc

Radial load:  
Max. static load: 1200 N (270 lbf)

Axial load:  
Max. static load: 1200 N (270 lbf)

### Installation Notes

- Screw supplied
- Attach hinge with M6 x 10
- Max. screw length equals frame thickness plus 7.5 (.30)
- Max. tightening torque of screw: 5 N•m (45 in•lbf)

D Door Thickness	Part Number	
	Bright Chrome	Black Powder Coated
1 - 1.2 (.04 - .05)	KH-41-T1-38	KH-41-T1-50
1.5 - 2 (.06 - .08)	KH-42-T1-38	KH-42-T1-50

Part Number	
Plastic Hinge Pin	Steel Hinge Pin
KH-P	KH-G

### Part Number

See table  
Order hinge and hinge pin separately