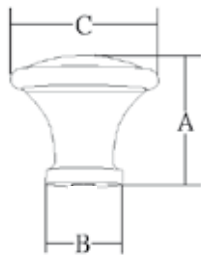


# ACCESS HARDWARE

## CABINET KNOB

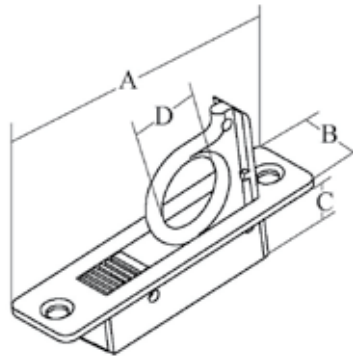
- 316 stainless steel
- Highly polished round knob with brush finished stainless center disk



Part No	Finish	A mm	B mm	C mm
M5-10-301-8	Brass	25 (1")	16 (5/8")	31 (1 1/4")
M5-10-302-8	Chrome Plated Brass	25 (1")	16 (5/8")	31 (1 1/4")

## PULL RING

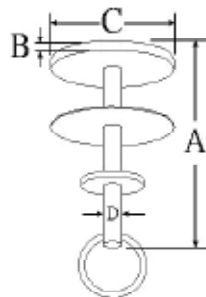
- 316 stainless steel
- Installs flush
- Spring loaded pull ring



Part No	A mm	B mm	C mm	D mm
M7-90-9507480	83 (3-1/4")	21 (7/8")	12 (1/2")	19 (3/4")

## HATCH PULL

- 316 stainless steel



Part No	A	B	C	D
M5-10-281-8	54 (2 1/8")	3.2 (1/8")	32 (1 1/4")	6.3 (1/4")