

# CLEATS & CHOCKS

## OVAL CLEAT

- 316 Stainless Steel



Part No.	Length	Height	Base
M7-30-9033130	152 (6")	47 (1 7/8")	90*30 (3 9/16"* 1 3/16")
M7-30-9033131	203 (8")	55 (2 1/8")	120*30 (4 11/16"* 1 3/16)
M7-30-9033132	254 (10")	70 (2 13/16")	150*40 (5 15/16"* 1 9/16")
M7-30-9033133	305 (12")	80 (3 3/16")	160*40 (6 5/16"* 1 9/16")

## OPEN BASE CLEAT

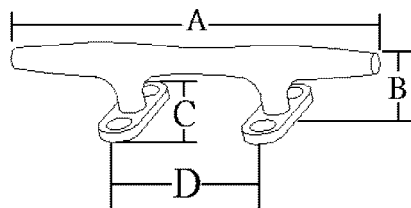
- 316 Stainless Steel



Part No.	Length	Height
M7-30-9506796	152 (6")	32 (1 5/16")
M7-30-9506798	203 (8")	41 (1 1/16")
M7-30-9506800	254 (10")	51 (2 1/16")

## STANDARD CLEAT

- 316 stainless steel
- Highly polished investment cast construction

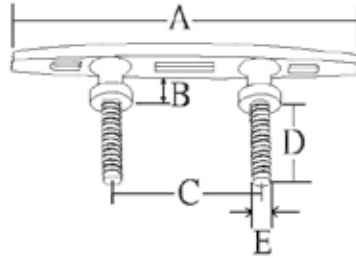


Part No	A mm	B mm	C mm	D mm
M7-30-2310004	102 (4")	29 (1 1/8")	42 (1 5/8")	33 (1 1/4")
M7-30-2350006	152 (6")	33 (1 5/16")	46 (1 13/16")	57 (2 1/4")
M7-30-2360008	204 (8")	40 (1 9/16")	53 (2 1/16")	74 (2 7/8")
M7-30-2370010	254 (10")	47 (1 13/16")	72 (2 7/8")	97 (3 7/8")
M7-30-2380012	304 (12")	54 (2 1/8")	72 (2 7/8")	99 (3 7/8")

# CLEATS & CHOCKS

## STUDED CLEAT

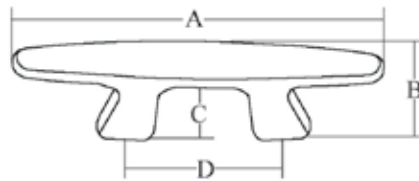
- 316 stainless steel
- Aluminum backing plate and mounting hardware included .



Part No	A mm	B mm	C mm	D mm	E mm
M7-30-8828200	152 (6")	19 (3/4")	64 (2 1/2")	38 (1 1/2")	8 (5/16")
M7-30-9318609	177 (7")	22 (7/8")	70 (2 3/4")	43 (1 11/16")	8 (5/16")
M7-30-8828201	203 (8")	25 (1")	83 (3 1/4")	52 (2")	10 (3/8")
M7-30-8828202	254 (10")	31 (1 1/4")	105 (4 1/8")	62 (2 7/16")	12 (1/2")

## SWALLOW CLEAT

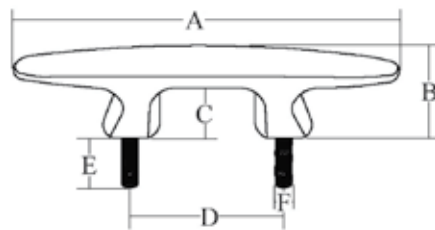
- 316 stainless steel
- Hollow body construction
- Two threaded bottom holes for mounting bolts



Part No	A mm	B mm	C mm	D mm
M7-30-9518826	152 (6")	36 (1 7/16")	24 (1")	60 (2 3/8")
M7-30-9518828	203 (8")	48 (1 7/8")	32 (1 1/4")	76 (3")
M7-30-9518830	254 (10")	60 (2 3/8")	42 (1 5/8")	99 (3 7/8")
M7-30-9518832	304 (12")	72 (2 7/8")	51 (2")	119 (4 3/4")

## SWALLOW CLEAT - STUDED TYPE

- 316 stainless steel
- Hollow body construction
- Aluminum backing plate is available

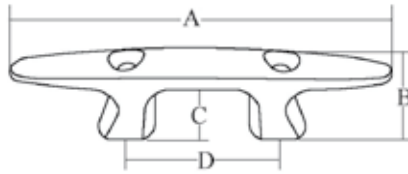


Part No	A mm	B mm	C mm	D mm	E mm	F mm
M7-30-9518866	152 (6")	36 (1 7/16")	24 (1")	60 (2 3/8")	50 (2")	5/16" / M8
M7-30-9518868	203 (8")	48 (1 7/8")	32 (1 1/4")	76 (3")	55 (2 3/16")	3/8" / M10
M7-30-9518870	254 (10")	60 (2 3/8")	42 (1 5/8")	99 (3 7/8")	60 (2 3/8")	1/2" / M12
M7-30-9518872	304 (12")	72 (2 7/8")	51 (2")	119 (4 3/4")	65 (2 9/16")	5/8" / M16

# CLEATS & CHOCKS

## SWALLOW CLEAT - SCREW TYPE

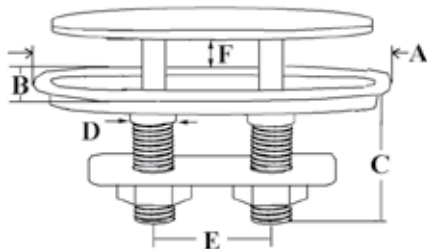
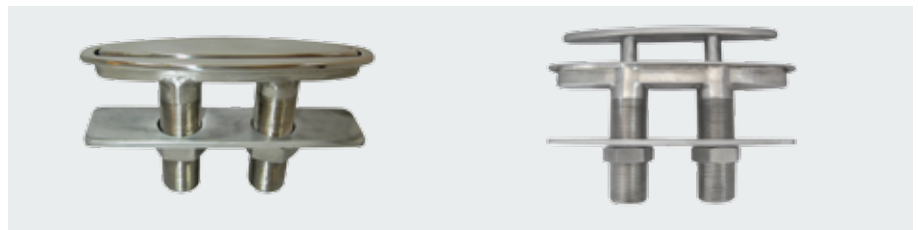
- 316 stainless steel
- Screws mount from the top
- Aluminum backing plate is available



Part No	A mm	B mm	C mm	D mm
M7-30-9518876	152 (6")	36 (1 7/16")	24 (1")	60 (2 3/8")
M7-30-9518878	203 (8")	48 (1 7/8")	32 (1 1/4")	76 (3")
M7-30-9518880	254 (10")	60 (2 3/8")	42 (1 5/8")	99 (3 7/8")
M7-30-9518882	304 (12")	72 (2 7/8")	51 (2")	119 (4 3/4")

## FLUSH POP-OUT CLEAT

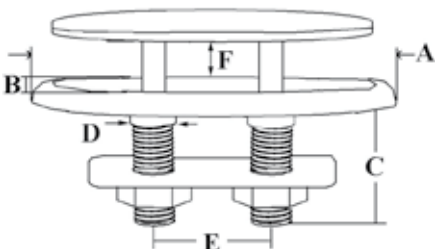
- 316 stainless steel
- Anti-rattle design
- Aluminum backing plate, lock washers and nylon nuts included



Part No	Model	A mm	B mm	C mm	D mm	E mm	F mm
M7-30-9418544	115 (4 1/2")	120 (4 3/4")	32 (1 1/4")	75 (3")	22 (7/8")	44 (1 3/4")	19 (3/4")
M7-30-9418546	152 (6")	170 (6 11/16")	38 (1 1/2")	94 (3 3/4")	25 (1")	58 (2 5/16")	22 (7/8")
M7-30-9418548	203 (8")	224 (8 7/8")	46 (1 13/16")	113 (4 7/16")	35 (1 3/8")	76 (3")	25 (1")
M7-30-9418550	254 (10")	278 (11")	50 (2")	132 (5 3/16")	38 (1 1/2")	87 (3 7/16")	30 (1 3/16")

## LOW PROFILE POP-OUT CLEAT

- 316 stainless steel
- Anti-rattle design
- Aluminum backing plate, lock washers and nylon nuts included

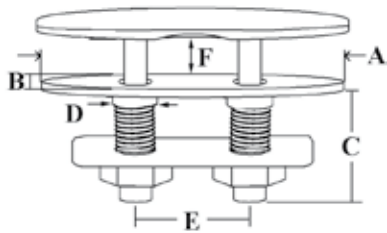


Part No	Model	A mm	B mm	C mm	D mm	E mm	F mm
M7-30-9418534	115 (4 1/2")	129 (5 1/16")	32 (1 1/4")	54 (2 1/8")	22 (7/8")	44 (1 3/4")	22 (7/8")
M7-30-9418536	152 (6")	168 (6 5/8")	38 (1 1/2")	64 (2 1/2")	25 (1")	58 (2 5/16")	25 (1")
M7-30-9418538	203 (8")	212 (8 3/8")	50 (2")	90 (3 9/16")	35 (1 3/8")	76 (3")	28 (1 1/8")
M7-30-9418540	254 (10")	250 (10")	57 (2 1/4")	120 (4 3/4")	38 (1 1/2")	87 (3 7/16")	33 (1 5/16")

# CLEATS & CHOCKS

## PULL-OUT CLEAT

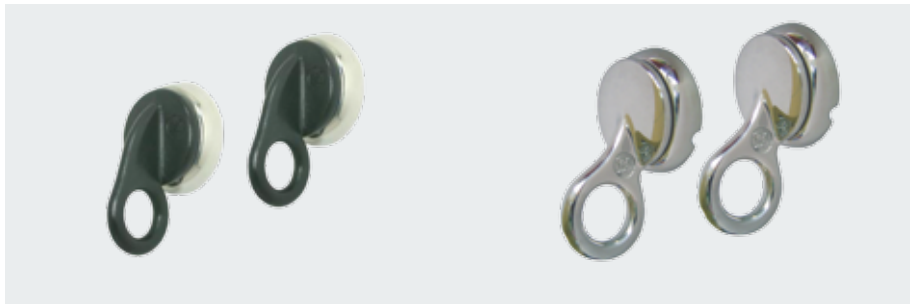
- 316 stainless steel
- Anti-rattle design



Part No	Model	A mm	B mm	C mm	D mm	E mm	F mm
M7-30-9218730	102 (4")	108 (4 1/4")	27 (1 1/16")	50 (2")	19 (3/4")	45 (1 3/4")	20 (13/16")
M7-30-9218732	152 (6")	146 (5 3/4")	34 (1 3/8")	60 (2 3/8")	22 (7/8")	57 (2 1/4")	26 (1")
M7-30-9218734	203 (8")	202 (8")	37 (1 1/2")	70 (2 3/4")	25 (1")	70 (2 3/4")	31 (1 1/4")
M7-30-9218736	254 (10")	250 (10")	46 (1 13/16")	95 (3 3/4")	31 (1 1/4")	87 (3 7/16")	38 (1 1/2")

## FENDER LOCK

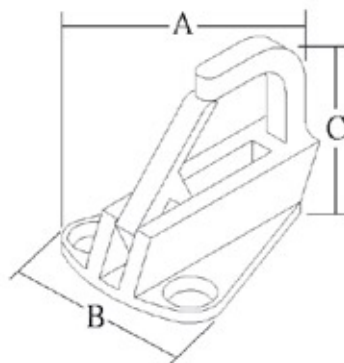
- Available in 316 stainless steel or nylon
- Provides easy way to attach and remove fenders from the boat
- Stainless steel base features a drain hole
- Sold in pairs



Part No	Model	A mm	B mm	C mm
M7-54-9112403	Nylon	40 (1 9/16")	8 (5/16")	15 (5/8")
M7-54-9312512	Stainless steel	40 (1 9/16")	8 (5/16")	15 (5/8")

## SNAP HOOK

- 316 stainless steel
- Bright polished finish
- Spring-loaded gates will hold line to  $\varnothing 15\text{mm}$  (5/8")
- Sold in pairs



Part No	A mm	B mm	C mm
M7-38-8631406	42 (1 5/8")	29 (1 1/8")	33 (1 5/16")
M7-38-8631407	38 (1 1/2")	32 (1 1/4")	24 (1")

# CLEATS & CHOCKS

## SWIVEL FENDER HOLDER

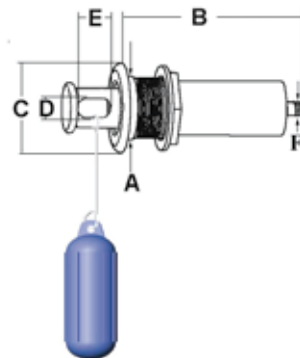
- Stainless Steel 316
- Push down and rotate the oval disc to open for fender line. When holder is closed, line is captured.



Part No	A mm	B mm	C mm	D mm
M7-30-9508582	63 (2 1/2")	25 (1")	27 (1 16")	18 (3/4")

## FLUSH POP-OUT FENDER CLEAT/ SKI TOW

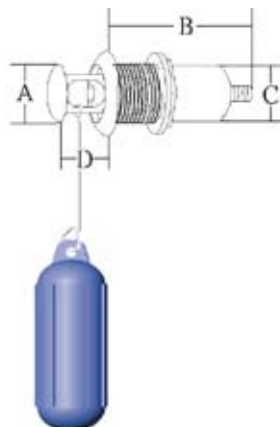
- 316 stainless steel
- Backing washers included
- Installation nut included



Part No	A mm	B mm	C mm	D mm	E mm	F mm
PN: M7-35-9512930	47.5 (1 7/8")	146 (5 3/4")	68 (2 11/16")	15 (5/8")	28.5 (1 1/8")	16 (5/8")

## LOW PROFILE POP-OUT FENDER AND MOORING CLEAT

- 316 stainless steel
- Backing washer and installation nut included

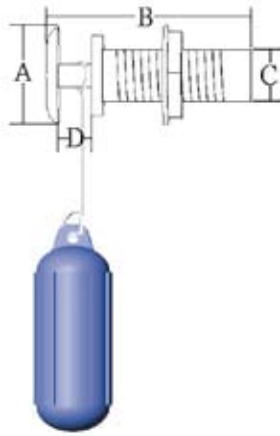


Part No	A mm	B mm	C mm	D mm
M7-30-9033304	49 (2")	130 (5 1/8")	41 (1 5/8")	36 (1 7/16")

# CLEATS & CHOCKS

## POP-OUT FENDER CLEAT

- 316 stainless steel
- Backing washers and installation nut included



Part No	A mm	B mm	C mm	D mm
M7-30-9033305	44 (1 3/4")	100 (4")	23 (1")	19 (3/4")

## STRAIGHT CHOCK

- 316 stainless steel
- Highly polished cast construction

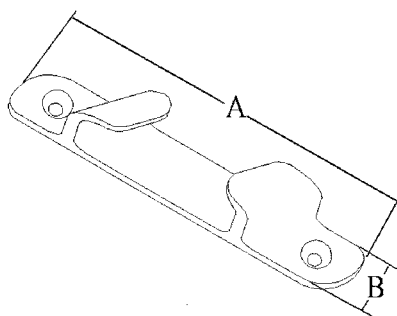


Part No	A mm	B mm
M7-30-2490082	128 (5")	23 (29/32")
M7-30-2500083	152 (6")	25 (1")

# CLEATS & CHOCKS

## BOW CHOCK

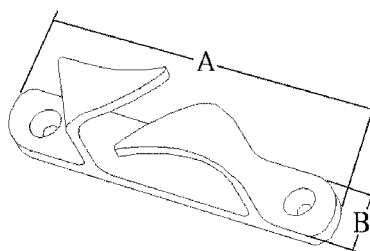
- 316 stainless steel
- Highly polished investment cast construction
- Sold in pairs



Part No	A mm	B mm
M7-30-2470013	120 (4 3/4")	20 (3/4")
M7-30-2480030	155 (6 1/8")	25 (1")

## SKENE BOW CHOCK

- 316 Stainless Steel
- Highly polished investment cast construction
- Sold in pairs

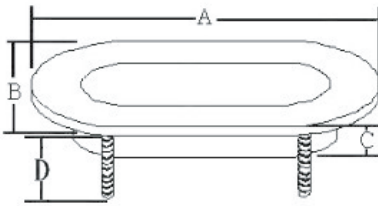


Part No	A mm	B mm
M7-30-2450113	111 (4 1/2")	19 (3/4")
M7-30-2460073	148 (5 7/8")	25 (1")

# CLEATS & CHOCKS

## OVAL HAWSE PIPE

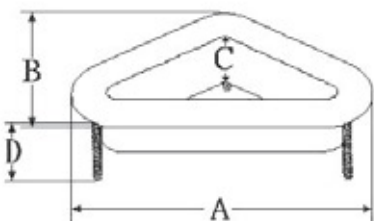
- 316 stainless steel
- Highly polished investment cast construction
- Face frame width 25mm (1")
- Available both as top mount and back mount



Part No	Model	A mm	B mm	C mm	D mm
M7-06-9008302	Stud	145 (5 5/8")	97 (3 13/16")	32 (1 1/4")	25 (1")
M7-06-9008303	Screw	145 (5 5/8")	97 (3 13/16")	34 (1 5/16")	
M7-06-9008307	Stud	138 (5 7/16")	63 (2 1/2")	25 (1")	25 (1")
M7-06-9008308	Screw	138 (5 7/16")	63 (2 1/2")	25 (1")	
M7-06-9418677	Stud	203 (8")	143 (5 5/8")	53 (2 1/8")	43 (1 3/4")

## TRIANGLE HAWSE PIPE

- 316 stainless steel
- Highly polished investment cast construction
- Face frame width 25mm (1")



Part No	Model	A mm	B mm	C mm	D mm
M7-06-9008306	Stud	180 (7")	150 (6")	49 (2")	48 (1 7/8")
M7-06-9418675	Stud	233 (9 1/2")	153 (6")	52 (2")	43 (1 3/4")
M7-06-9008305	Screw	180 (7")	150 (6")	49 (2")	