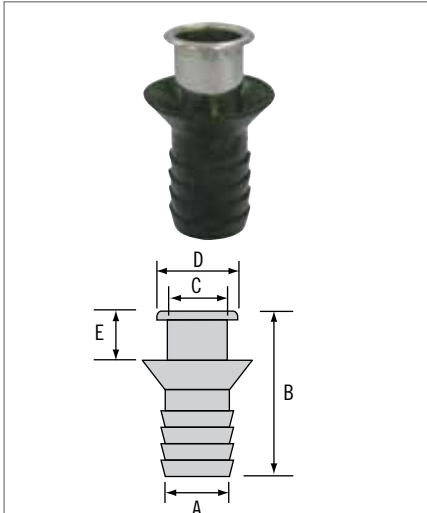


DRAINS

F



MINI COMPARTMENT DRAIN

- Stamped 304 stainless steel drain tube and rubber grip barb
- Suitable for deck and hatch gutter drains

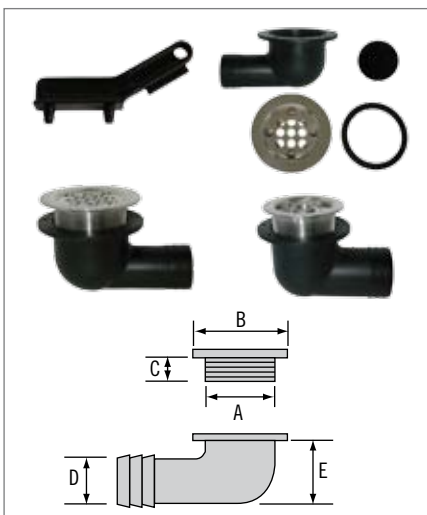
Part No	A mm	B mm	C mm	D mm	E mm
M7-16-9503701	16 (5/8")	12 (1/2")	12 (1/2")	18 (3/4")	9 (3/8")
M7-16-9503703	19 (3/4")	44 (1 3/4")	16 (5/8")	22 (7/8")	9 (3/8")
M7-16-9503705	25 (1")	44 (1 3/4")	22 (7/8")	29 (1 1/8")	9 (3/8")



90° SIDE MOUNT COCKPIT DRAIN

- Nylon body with 316 stainless steel cap
- Designed to be mounted flush to the deck for complete drainage
- Hose barb design suitable for installation in tight spaces

Part No	Size	A mm	B mm	C mm	D mm	E mm
M7-16-9005251	38 1 1/2"	38 (1 1/2")	44 (1 3/4)	63.5 (2 1/2")	102 (5")	57 (2 1/4")
M7-16-9005251-1	Temporary plug for 9005251/9005252					



90° DECK DRAIN SCUPPER KIT

- Nylon body with 316 stainless steel grate
- Compact design is suitable for applications with limited space
- One-way check ball design
- All parts are NPSM threaded
- Available in two drain head designs

Part No	Drain Head	A	B mm	C mm	D mm	E mm
M7-16-9405838	A	50 (2")	82 (3 1/4")	27 (1 1/16")	38 (1 1/2")	58 (2 1/4")
M7-16-9405842	B	50 (2")	75 (3")	27 (1 1/16")	38 (1 1/2")	58 (2 1/4")

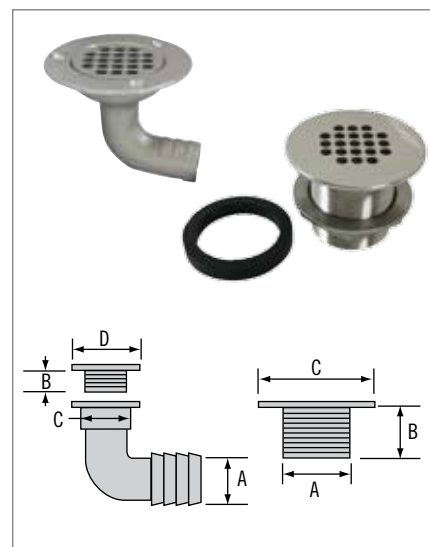


DRAINS

DRAIN SHOWER FITTING WITH PIPE THREAD & BARB ADAPTORS

- 316 stainless steel
- Fits 90° stainless steel adapters and stainless steel pipe thread adapters
- Designed to be used as sink, shower or deck drains
- Available as surface mount versions

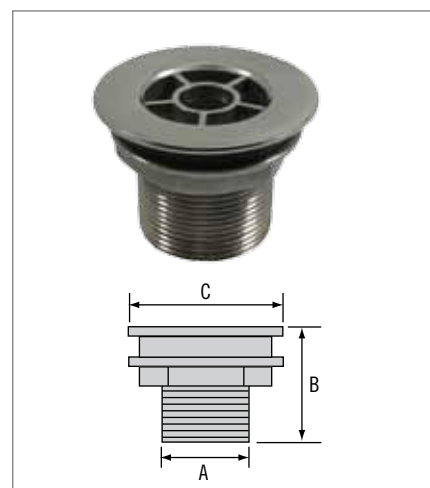
Part No	A mm	B mm	C mm	S.S. Nut	Angle
M7-16-9005301-1	31 (1 1/4")	15 (5/8")	42 (1 5/8")	No	-
M7-16-9005305-1	44 (1 3/4")	18 (11/16")	70 (2 3/4")	No	-
M7-16-9105512	44 (1 3/4")	50 (2")	70 (2 3/4")	Yes	-
M7-16-9005305	32 (1 1/4")	18 (11/16")	50 (2")	70 (2 3/4")	90°
Surface Mount Version					
M7-16-9503385	19 (3/4")	N/A	68 (2 3/4")	N/A	90°
M7-16-9503386	25 (1")	N/A	68 (2 3/4")	N/A	90°
M7-16-9503387	38 (1 1/2")	N/A	68 (2 3/4")	N/A	90°



SHOWER DECK DRAIN WITH NYLON ADAPTER

- 316 Stainless Steel
- Drain grate designed to maximize water flow.

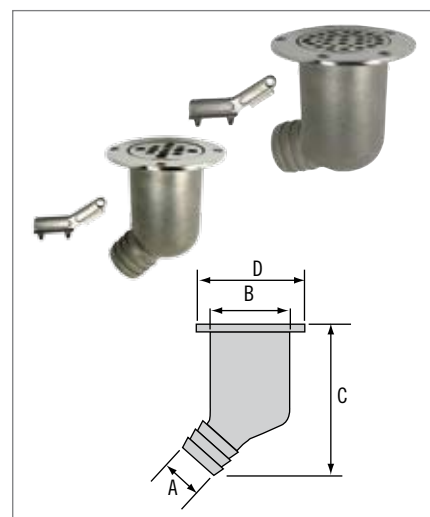
Part No	A	B mm	C mm	Gasket	Nut
M7-16-9305351	38 (1 1/2")	52 (2")	75 (2 15/16")	8 mm	Yes
M7-16-9305352	38 (1 1/2")	27 (1 1/16")	75 (2 15/16")	3 mm	Yes
M7-16-9305353	50 (2")	27 (1 1/16")	75 (2 15/16")	3 mm	No



DECK SHOWER DRAIN SCUPPERS

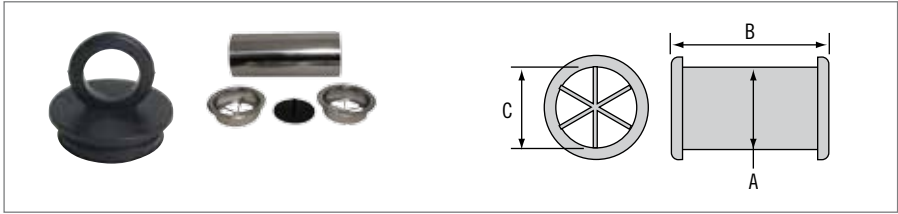
- 316 stainless steel
- Polished cover
- Cover can be removed for cleaning
- Incorporates one-way check ball design
- Drain grate key included

Part No	Model	A mm	B mm	C mm	D mm
M7-11-8731436	45°	38 (1 1/2")	58 (2 1/4")	115 (4 1/2")	91 (3 5/8")
M7-11-9405182	95°	38 (1 1/2")	57 (2 1/4")	79 (3 1/8")	91 (3 5/8")



DRAINS

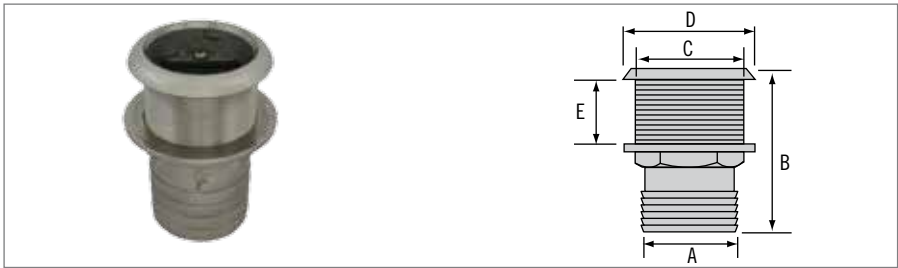
F



COCKPIT DRAIN SYSTEM

- 316 stainless steel
- Comes with a removable one-way flow diaphragm & stopper plug
- Tube can be cut to desired length

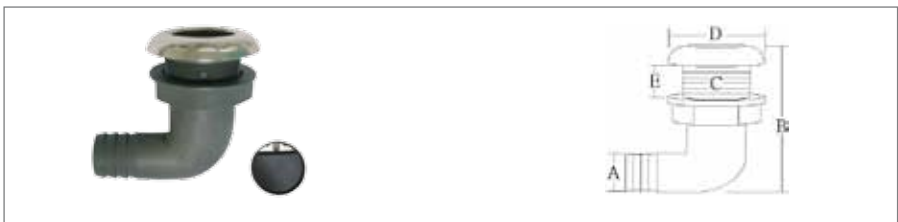
Part No	A mm	B mm
M7-16-9105655	50 (2")	127 (5")
M7-15-8933079	38 (1 1/2")	127 (5")



SCUPPER WITH BARB FITTING

- 316 stainless steel
- Straight angle design
- Features a flexible one-way PVC check valve
- Prevents water from entering the boat

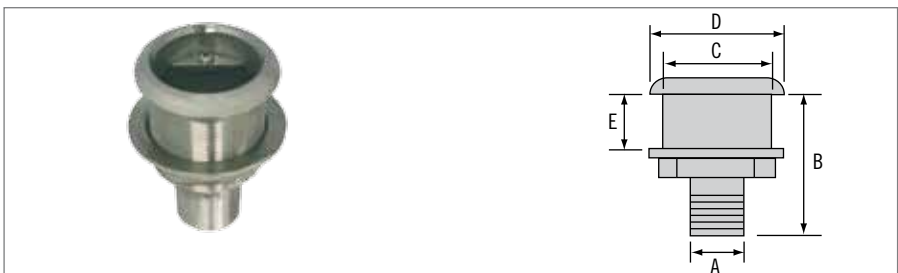
Part No	A mm	B mm	C mm	D mm	E mm
M7-13-9005309	38 (1 1/2")	110 (4 3/8")	53 (2 1/16")	65 (2 1/2")	42 (1 5/8")
M7-13-9005310	38 (1 1/2")	148 (5 7/8")	53 (2 1/16")	65 (2 1/2")	81 (3 3/16")
M7-13-9105516	50 (2")	154 (6 1/16")	53 (2 1/16")	65 (2 1/2")	81 (3 3/16")
M7-13-9205380	50 (2")	96 (3 3/4")	53 (2 1/16")	65 (2 1/2")	27 (1 1/16")



90° STALON SCUPPER

- Nylon body with 316 stainless steel cap
- 90° angle design
- Prevents water from entering the boat

Part No	A mm	B mm	C mm	D mm	E mm
M7-10-9305460	38 (1 1/2")	120 (4 3/4")	56 (2 1/4")	82 (3 1/4")	21 (13/16")



SCUPPER WITH PIPE FITTING

- 316 stainless steel
- Straight angle design
- Features a flexible one-way PVC check valve
- Prevents water from entering the boat

Part No	A mm	B mm	C mm	D mm	E mm
M7-14-9405482	38 (1 1/2")	79 (3 1/8")	53 (2 1/16")	65 (2 1/2")	29 (1 1/8")



DRAINS

STALON SCUPPER

- Nylon body with 316 stainless steel cap
- Light-weight design with a stainless steel appearance
- Tested to ASTM D638 and ASTM D790
- Features a one-way PVC check valve



Part No	Model	A mm	B mm	C mm	D mm	E mm
M7-10-9005253	0°	38 (1 1/2")	133 (5 1/4")	56 (2 1/4")	82 (3 1/4")	44 (1 3/4")
M7-10-9005254	0°	52 (2")	133 (5 1/4")	56 (2 1/4")	82 (3 1/4")	44 (1 3/4")
M7-10-9105541	10°	38 (1 1/2")	95 (3 3/4")	56 (2 1/4")	82 (3 1/4")	38 (1 1/2")
M7-10-9005261	15°	38 (1 1/2")	178 (7")	56 (2 1/4")	82 (3 1/4")	100 (4")
M7-17-9005253-2	Check Valve Only/Flapper					

HOODED COMPARTMENT DRAIN

- Nylon body with 316 stainless steel hood
- Suitable for drainage for above waterline compartments
- Available with or without drain plug

Part No	Type	A mm	B mm	C mm	D mm	E mm
M7-16-9004267	W/O Plug Female	48 (1 7/8")	40 (1 1/2")	54 (2 1/8")	25 (1")	17 (11/16")
M7-16-9105660	W Plug Female	48 (1 7/8")	40 (1 1/2")	54 (2 1/8")	25 (1")	17 (11/16")

HOODED COMPARTMENT WITH BARB PIPE

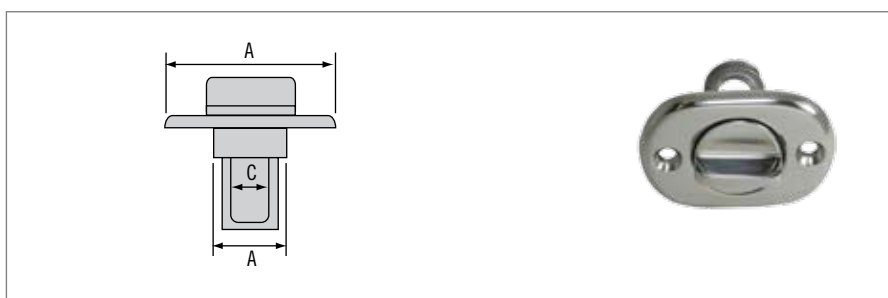
- Nylon body with 316 stainless steel hood
- Suitable for drainage for above waterline compartments

Part No	Type	A mm	B mm	C mm	D mm	E mm	F mm	G mm
M7-16-9105701	Male Barb	48 (1 7/8")	40 (1 1/2")	96 (3 3/4")	25 (1")	16 (5/8")	40 (1 9/16")	40 (1 9/16")
M7-16-9105702	Male Barb	48 (1 7/8")	40 (1 1/2")	96 (3 3/4")	25 (1")	19 (3/4")	40 (1 9/16")	42 (1 5/8")



OVAL DRAIN PLUG

- 316 stainless steel, and stainless steel nylon retaining plug
- Retention cap can be operated by hand
- Drain plug is held captive to the housing



Part No	Material	A mm	B mm	C mm
M7-16-9004266	Stainless steel	54 (2 1/8")	25 (1")	12 (1/2")
M7-16-9004269	Stainless steel	64 (2 1/2")	32 (1 1/4")	19 (3/4")

