



# P7 cPCI Inject / Eject Mechanism

## Ejectors

- Ergonomic design for easy operation
- Button protected to prevent accidental operation
- Button disengages microswitch prior to rotation of ejector handle
- Optional integrated microswitch

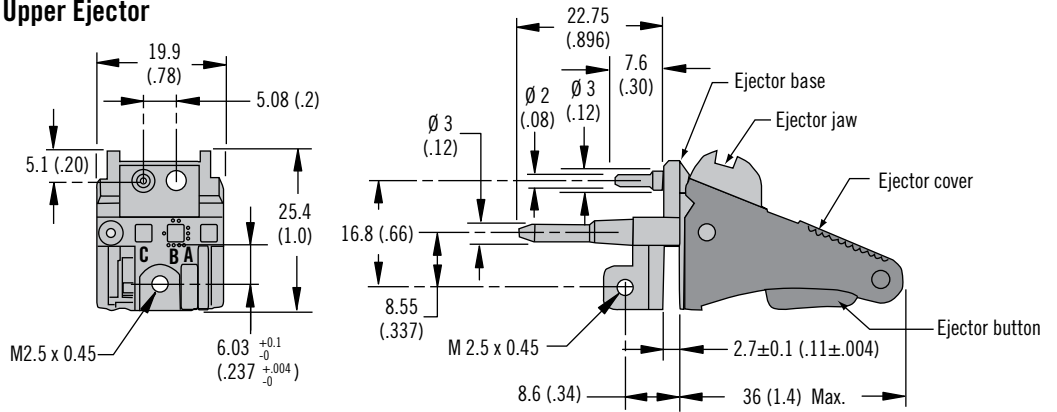
### Material and Finish

Ejector base and jaws:  
Zinc die-cast, nickel plated  
Ejector cover: PC/ABS black  
Ejector button: PC/ABS red  
Torsion spring: Stainless steel  
Pin and faceplate mounting screws:  
Steel, zinc plated

### Performance Details

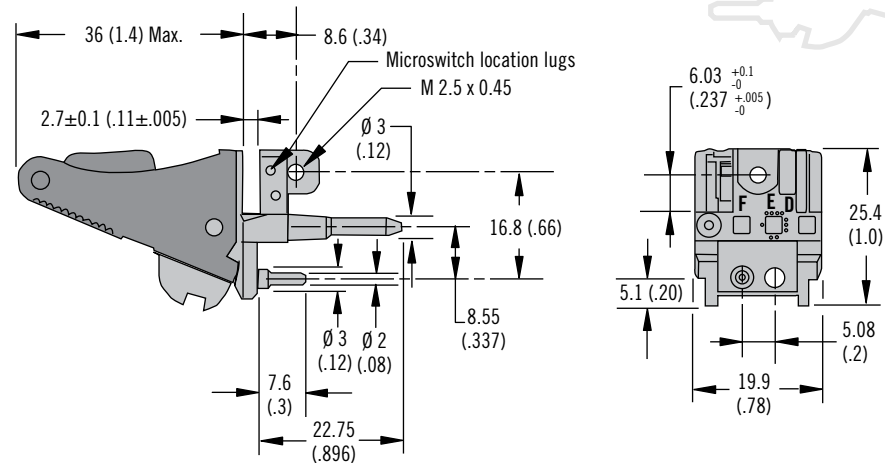
Flammability rating: UL94-V0

### Upper Ejector



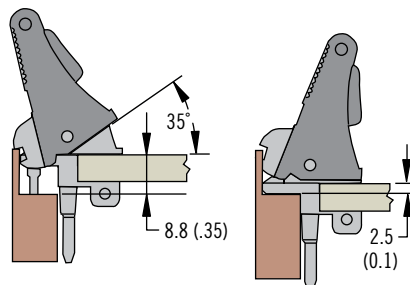
Part Number
P7-1-981-10

### Lower Ejector (for use with microswitch)



Part Number
P7-1-991-10

### Faceplate Travel



Note: 6.3 (0.24) total travel

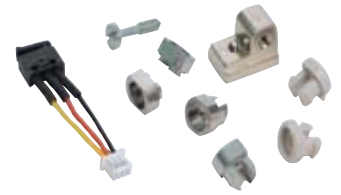
Dimensions in millimeters (inch) unless otherwise stated



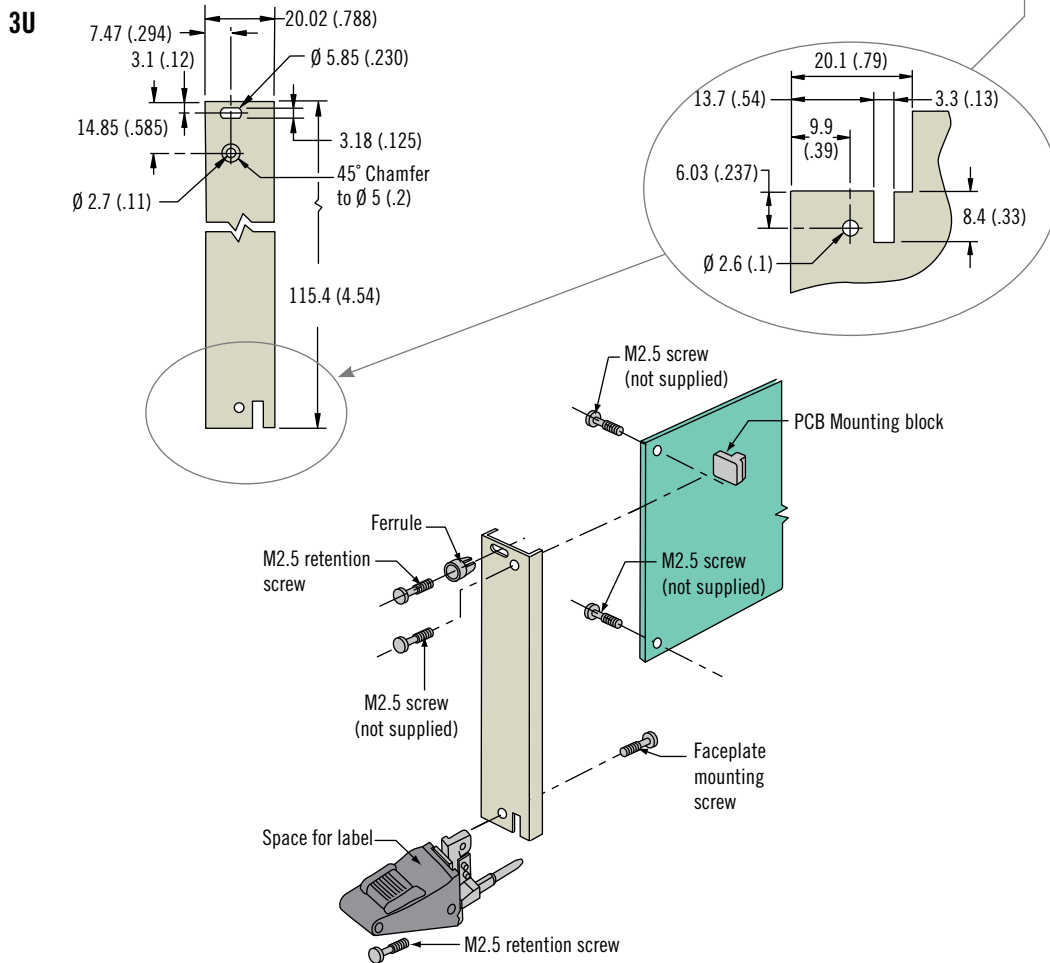
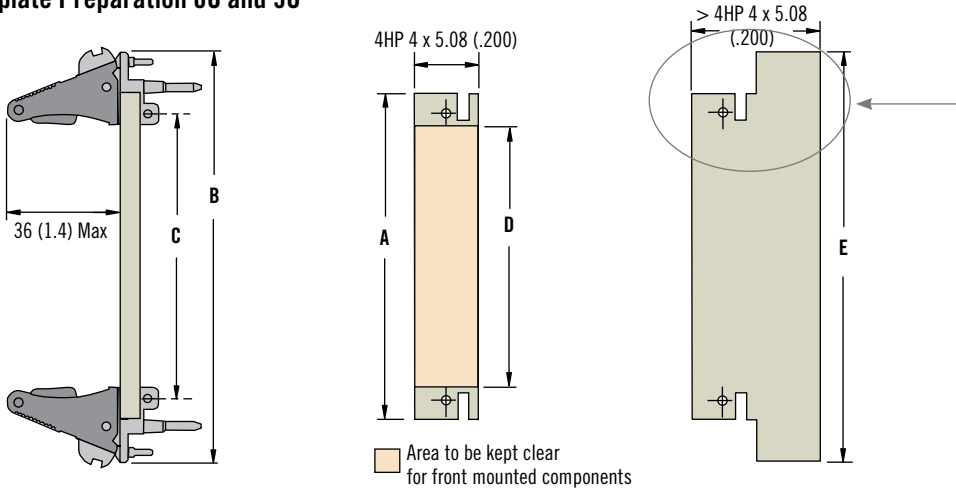
[www.southco.com/P7](http://www.southco.com/P7)

# P7 cPCI Inject / Eject Mechanism

## Faceplate mounting hardware accessories



### Faceplate Preparation 6U and 9U



#### Microswitch assembly:

Attaches to ejector, allows for hot swap

Part number: P7-0-46720



#### M2.5 Retention screw:

Used with ferrules and ejectors

Material and finish: Steel plated

Part number: P7-0-45297



#### 3U Hardware

Captivates M2.5 screw on faceplate

#### Snap-in ferrule:

Faceplate thickness

1.6 - 2.5 (.063 - .098)

Material and finish: ABS

Part number: P7-0-45227



#### Press-in ferrule:

Faceplate thickness

1.5 - 2.4 (.059 - .094)

Material and finish: Steel, Plated

Part number: P7-0-45302



#### Press-in ferrule flush:

Min. panel thickness 0.9 (.035)

Material and finish: Steel plated

Part number: P7-0-45244



#### PCB Mounting block:

Used to mount PCB in place of ejector

Material and finish: Zinc plated

Part number: P7-0-45234



#### Notes

All panel preparation tolerances

±0.1 (.004)

Style	A	B	C	D	E
6U	235.4 (9.27)	255.85 (10.073)	222.25 (8.750)	214.65 (8.451)	262.05 (10.317)
9U	368.75 (14.518)	389.2 (15.323)	355.6 (14.00)	348 (13.701)	395.4 (15.567)