



# A1 Draw Latch

Over-center · Heavy-duty · Small and medium · Adjustable

- Hooked latching rod
- Latching arm adjusts to fit your grip range

### Material and Finish

Stainless steel or steel, zinc plated  
Grip: Vinyl yellow

### Performance Details

Latched at end of hook:

Small:

Max. static load: 1200 N (270 lbf)

Medium:

Max. static load: 1780 N (400 lbf)

Latched at center of radius:

Small:

Max. static load: 1350 N (300 lbf)

Medium:

Max. static load: 3110 N (700 lbf)

### Installation Notes

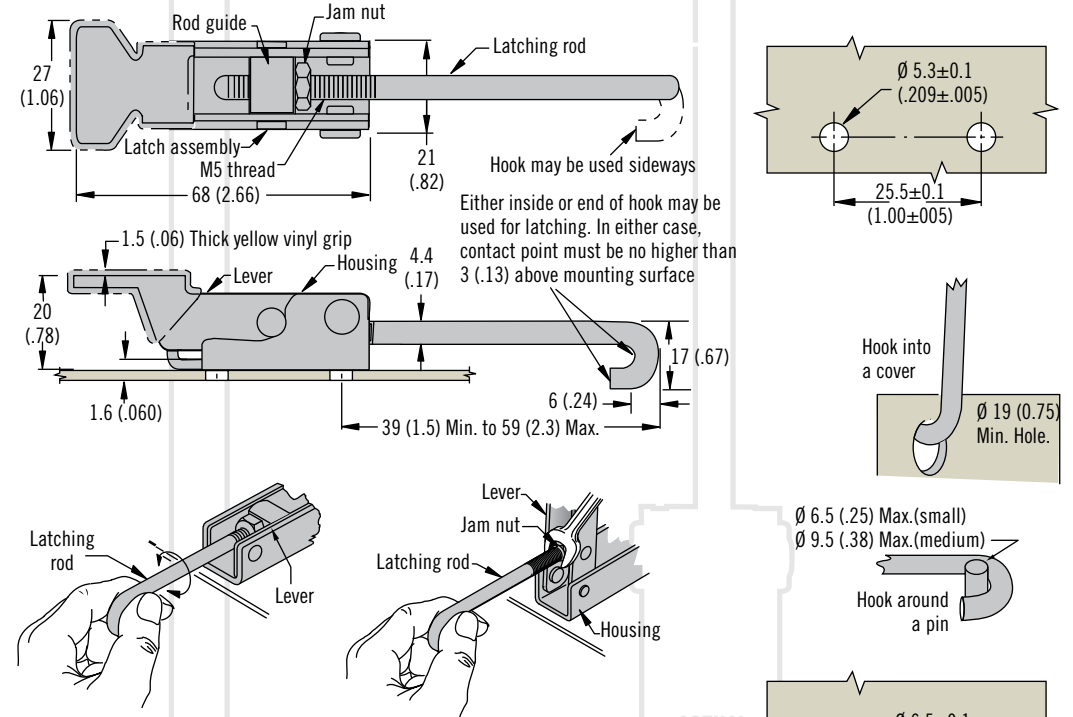
Small:

Install assembly with four M5  
(No. 10) screws or rivets

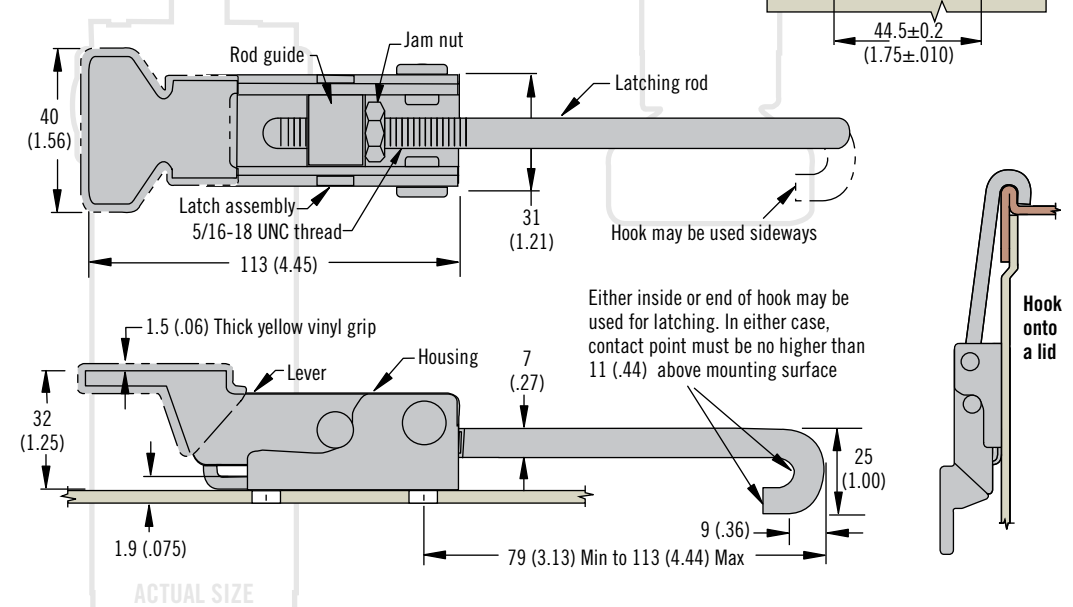
Medium:

Install assembly with four M6 (1/4)  
screws or rivets

### Small



### Medium



### Part Number Selection

**B** Base type      **M** Finish

5 Small      10 Steel, zinc plated without yellow grip  
7 Medium      20 Steel, zinc plated with yellow grip  
                    40 Stainless steel without yellow grip  
                    50 Stainless steel with yellow grip

**A1 - 11 - B 02 - M**

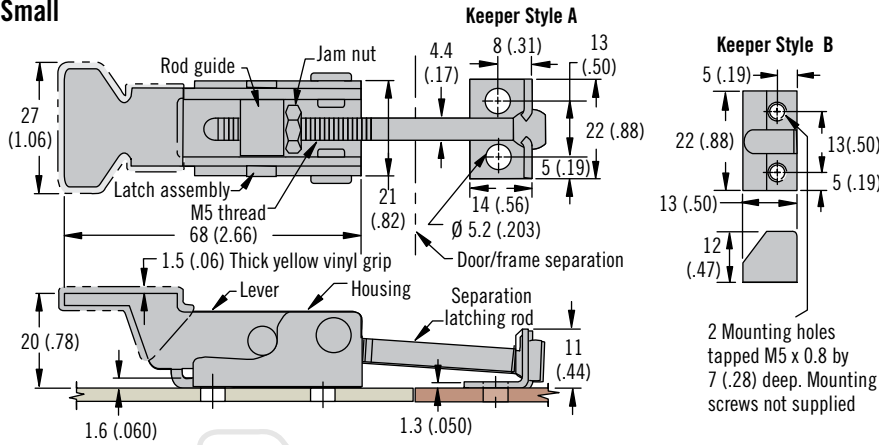
Dimensions in millimeters (inch) unless otherwise stated

# A1 Draw Latch

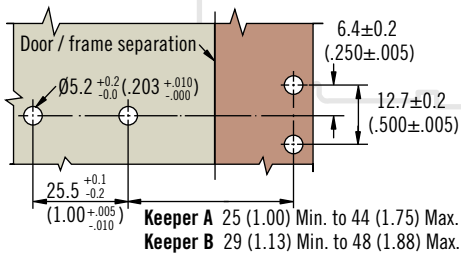
Over-center · Small and medium · Adjustable



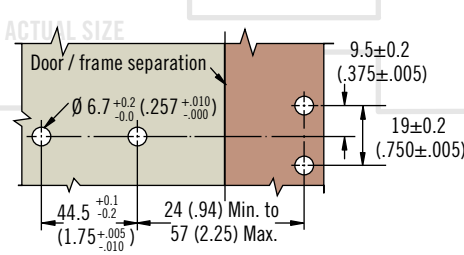
## Small



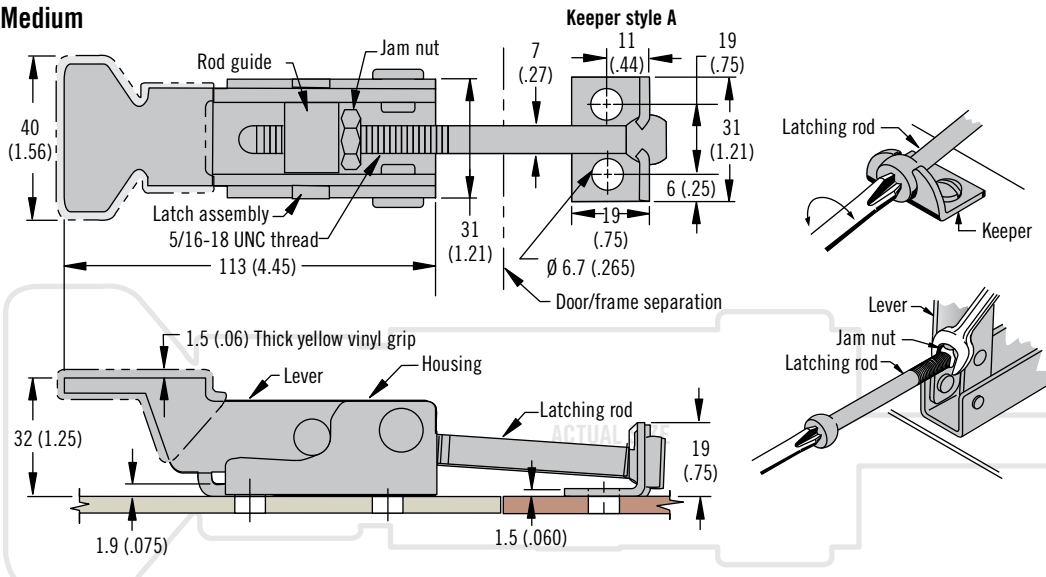
## Small Panel Preparation



## Medium Panel Preparation



## Medium



### • Adjustable grip

### Material and Finish

Stainless steel or steel, zinc plated  
Grip: Vinyl yellow

### Performance Details

Small (keeper style A):  
Max. static load: 180 N (40 lbf)  
Small (keeper style B):  
Max. static load: 1550 N (350 lbf)  
Medium (keeper style A)  
Max. static load: 890 N (200 lbf)

### Installation Notes

Small:  
Install assembly with four M5 (No. 10) round head screws or rivets  
Medium:  
Install assembly with four M6 (1/4) round head screws or rivets

### Part Number Selection

Assembly complete with keeper

**A1 - 10 - B 0 K - M**

#### B Base type

- 5 Small
- 7 Medium

#### K Keeper style

- 1 Type A
- 3 Type B (Small steel, zinc plated models only)

#### M Finish

- 10 Steel, zinc plated without yellow grip
- 20 Steel, zinc plated with yellow grip
- 40 Stainless steel without yellow grip
- 50 Stainless steel with yellow grip



Dimensions in millimeters (inch) unless otherwise stated



[www.southco.com/A1](http://www.southco.com/A1)



# A1 Draw Latch

Over-center · Heavy-duty · Adjustable

- Robust construction
- Adjustable grip

### Material and Finish

Steel, zinc plated or black powder coated

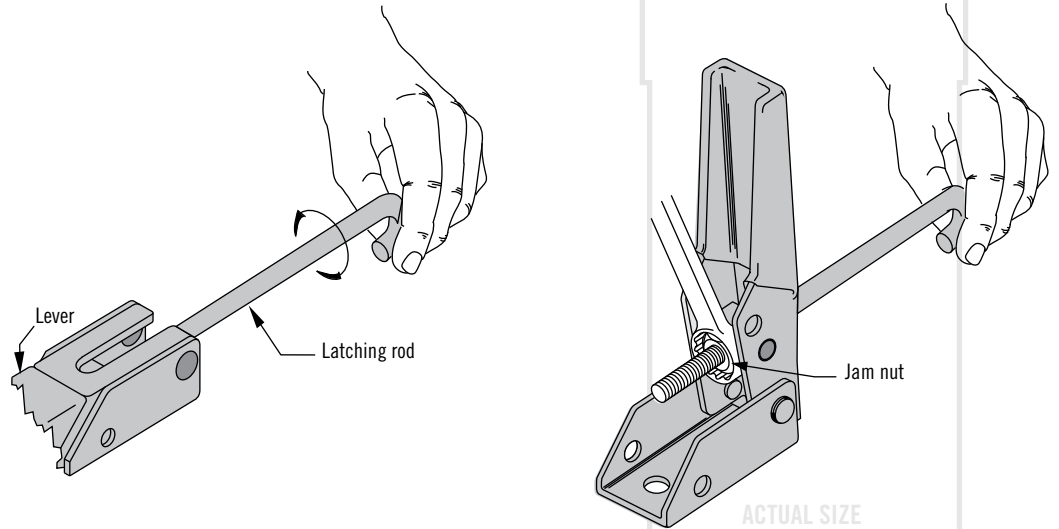
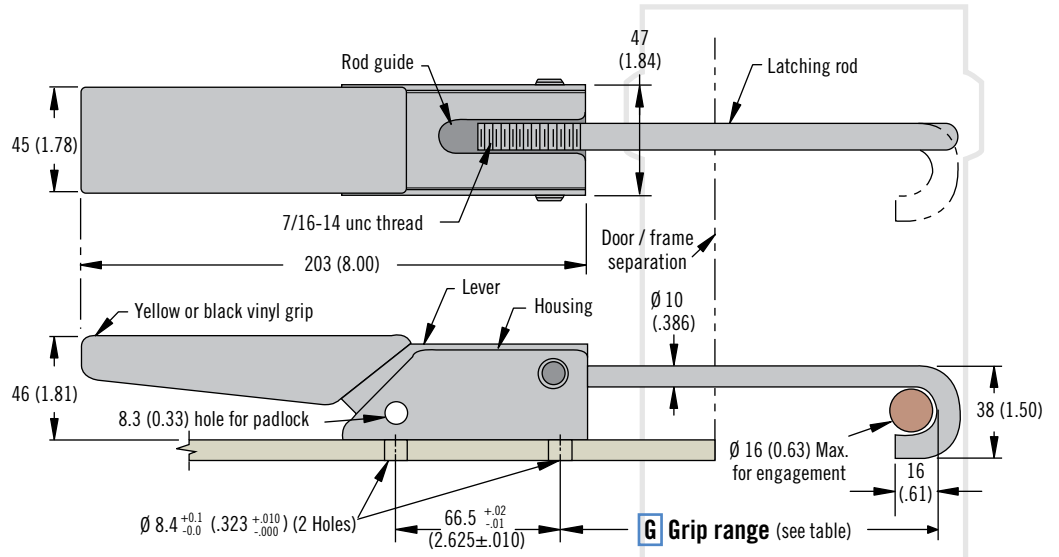
### Performance Details

Latched at end of hook:  
Max. static load: 2225 N (500 lbf)  
Latched at center of radius:  
Max. static load: 4450 N (1000 lbf)

### Installation Notes

Install assembly with two M8 (5/16) bolts (not supplied)

Hook may be used sideways. Either inside or end of hook may be used for latching. In either case, contact point must be no higher than 25 (1.00) above mounting surface



### Part Number

See table

G Grip Range		Part Number	
Min.	Max.	Bright latch with yellow vinyl grip	Black latch with black vinyl grip
89 (3.50)	114 (4.50)	A1-11-902-20	A1-11-902-31