



Grip Range	.050" to .700"
-------------------	----------------

The HP-L3 Series Cam Latch is a simple one-piece latch that mounts in seconds in wood, plastic and metal with the supplied zinc-plated spring steel retainer ring. Grip range can be varied simply by varying the diameter of the hole in the door. Four sizes extend the grip range from .050" to .700". Applications range from interior to exterior panels and enclosures.

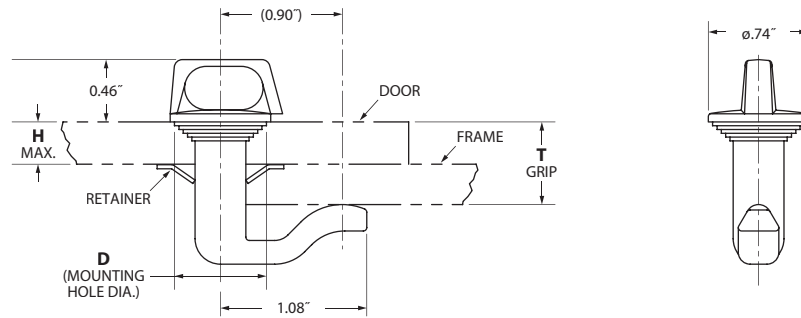
Material and Finish

Latch: Black acetal copolymer
Retainer: Zinc-plated spring steel

Mechanical

Grip Range: .050" to .700"
Rating: UL 94 HB flammability

HP-L3-4-1 in Closed Position



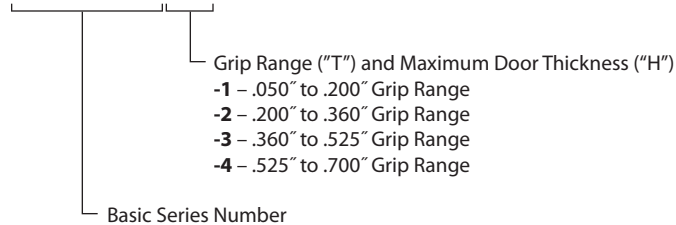
Grip Range and Part Numbers

D Mounting Hole Diameter ¹	Size and Grip Range							
	HP-L3-1-1		HPL3-2-1		HPL3-3-1		HP-L3-4-1	
	T Grip Range	H Max.	T Grip Range	H Max.	T Grip Range	H Max.	T Grip Range	H Max.
.430"	—	—	.200" to .240"	.125"	.360" to .400"	.125"	.525" to .580"	.125"
.490"	.050" to .090"	.050"	.230" to .270"	.188"	.390" to .430"	.250"	.570" to .610"	.250"
.555"	.090" to .125"	.065"	.260" to .300"	.218"	.420" to .460"	.312"	.600" to .640"	.312"
.615"	.125" to .160"	.095"	.290" to .330"	.250"	.450" to .490"	.375"	.630" to .670"	.375"
.680"	.160" to .200"	.125"	.320" to .360"	.281"	.480" to .525"	.437"	.660" to .700"	.437"

Note:
1. +.005/- .000

Cam Latch Part Numbers

HP-L3-2-1



Panel Preparation and Installation

1. Feed the Cam through the door hole and slip the retainer over it.
2. Seat the stepped case of the knob squarely in the hole and secure the retainer.



All dimensions on this page are in inches.