



M1 Push-to-Close Latch

Small · Stainless steel

- Single, round-hole installation
- Locking style restricts access
- Premium finish and corrosion resistance
- Privacy lock on locking version

Material and Finish

Latch: 316 grade stainless steel and bright polished
 Spacer: Nylon, black
 Contact Southco for other finishes

Performance Details

Max. static load: 545 N (122 lbf)

Accessories

One key supplied per latch for additional keys order
 M7-88-9121324-S



Spacer: M1-510-96-1
 (Sold separately)



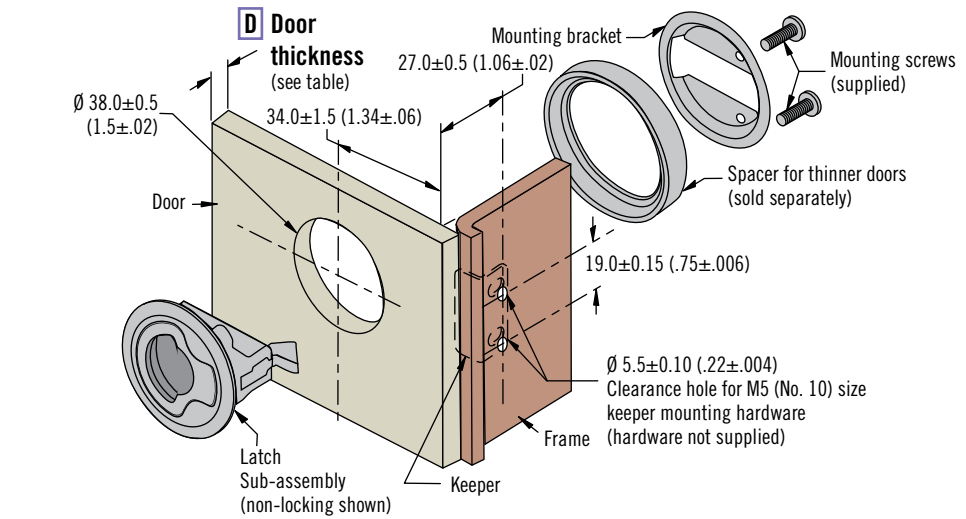
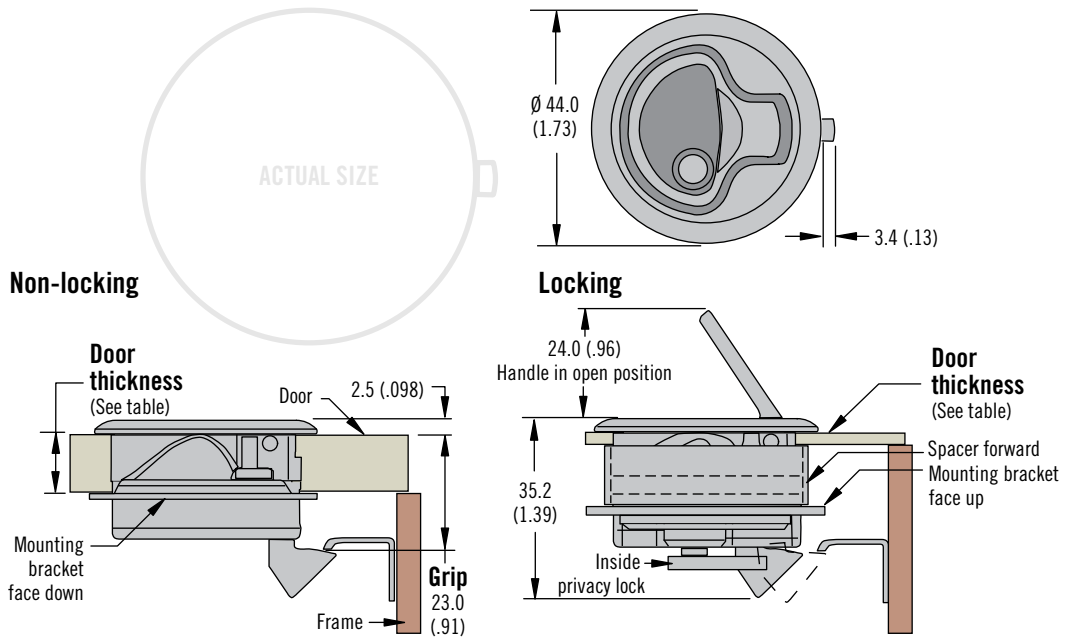
Keeper: M1-510-19-8

Mounting screws: M1-510-96-4

Installation Notes

Use the reference table to determine if a spacer is required for the door thickness and the correct mounting bracket orientation. The spacer shown is in the forward position.

Part Number Selection



Door Thickness	Spacer Orientation	Mounting Bracket Orientation
1.0 - 5.0 (.04 - .20)	Forward	Face Up
5.0 - 9.0 (.20 - .36)	Reverse	Face Up
9.0 - 14.5 (.36 - .57)	(not required)	Face Up
14.5 - 21.0 (.57 - .83)	(not required)	Face Down

M1 - 15 - **L** 1 - 8

L Lock style

- 4 Locking (one tubular key supplied)
- 6 Non-locking

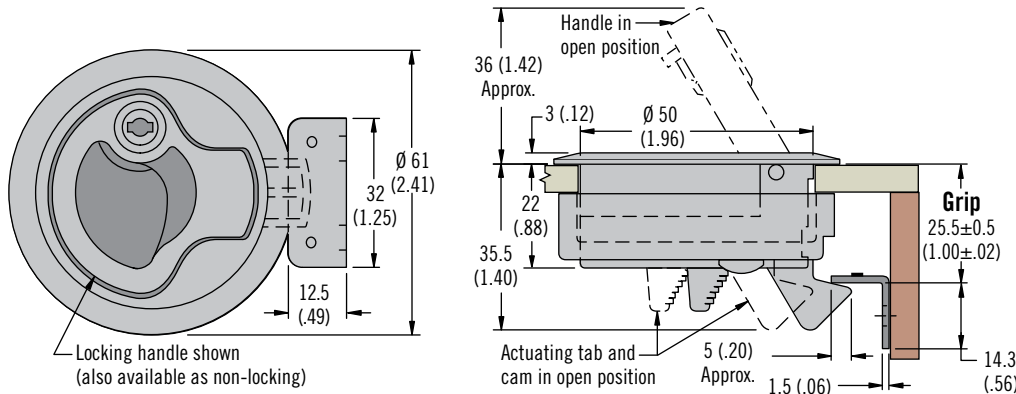


www.southco.com/M1

Dimensions in millimeters (inch) unless otherwise stated

M1 Push-to-Close Latch

Medium · Stainless steel · Plastic



- Single, round-hole installation
- Corrosion-resistant materials
- Inside actuation when locked or unlocked

Material and Finish

Stainless steel: 316 grade electro polished or PC/PBT blend, black, white or beige

Performance Details

Max. working load:
Stainless Steel: 835 N (187 lbf)
PC/ABT blend 270 N (60 lbf)

Operating temperature range:
-18 °C (0 °F) to 60 °C (140 °F)

Flammability rating:
UL94-HB (plastic version)

Installation Notes

Max. tightening torque on mounting screws: 1.7 N·m (15 in·lbf)

Accessories

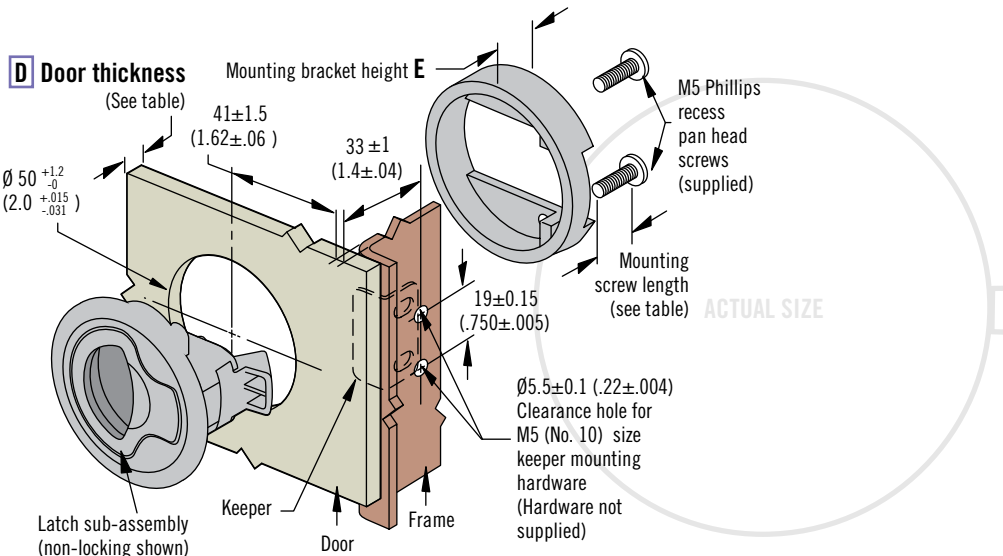
Keeper
Part number: M1-519-4

For lock style 4

Key (pair)
Part number: M1-546

For lock style 7

Overmolded key S008 (pair)
Part number:
M1-525-39-S008



D Door Thickness		Mounting Bracket Height E	Mounting Screw Length	Replacement Screw Part Number
Min.	Max.			
2 (.075)	7 (.275)	14 (.55)	16 (.63)	M1-0-27358-01
7 (.275)	12 (.475)	14 (.55)	20 (.81)	M1-0-27358-02
12 (.475)	17 (.675)	3.8 (.15)	16 (.63)	M1-0-27358-01
17 (.675)	22 (.875)	3.8 (.15)	20 (.81)	M1-0-27358-02

D Door thickness

- 2 - 7 (.075 - .275)
- 7 - 12 (.275 - .475)
- 12 - 17 (.475 - .675)
- 17 - 22 (.675 - .875)

L Lock style

- 4 Locking (2 keys supplied)
- 6 Non-locking
- 7 Key-locking keyed alike S008 (2 overmolded keys supplied) (Only available for stainless steel version)

F Finish

- 1 White Thermoplastic
- 7 Beige Thermoplastic
- 8 Stainless steel (omit for black)

M1 - L D - F

Part Number Selection

See page 70 for complimentary styled compression version



M1 Push-to-Close Latch

Large · Stainless steel

- Single, round-hole installation
- Corrosion-resistant materials
- Inside actuation when locked or unlocked

Material and Finish

Stainless steel 316 grade electro polished

Performance Details

Max. working load: 835 N (187 lbf)

Operating temperature range: -18°C (0°F) to 60°C (140°F)

Installation Notes

Max. tightening torque on mounting screws: 1.7 N·m (15 in·lbf)

Accessories

Keeper

Part number: M1-525-19-4

For lock style 4

Key (pair)

Part number: M1-546

For lock style 7

Overmolded key S008 (pair)

Part number: M1-525-39-S008

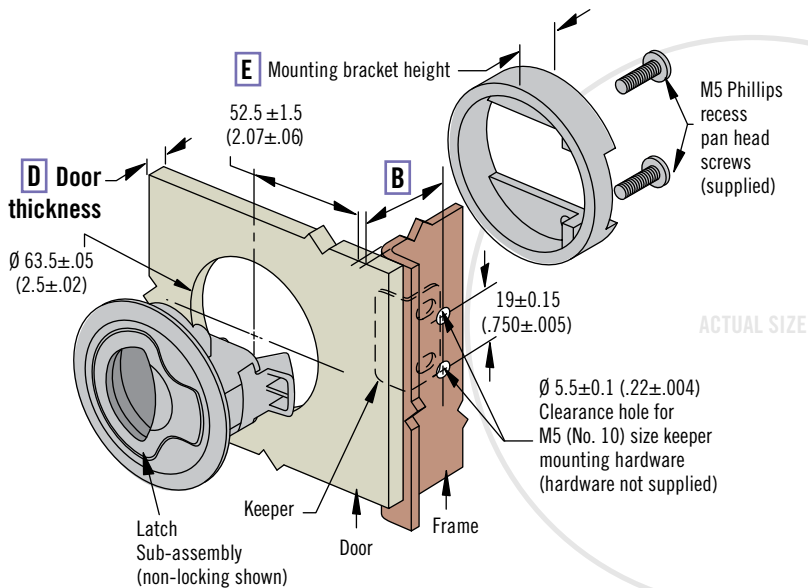
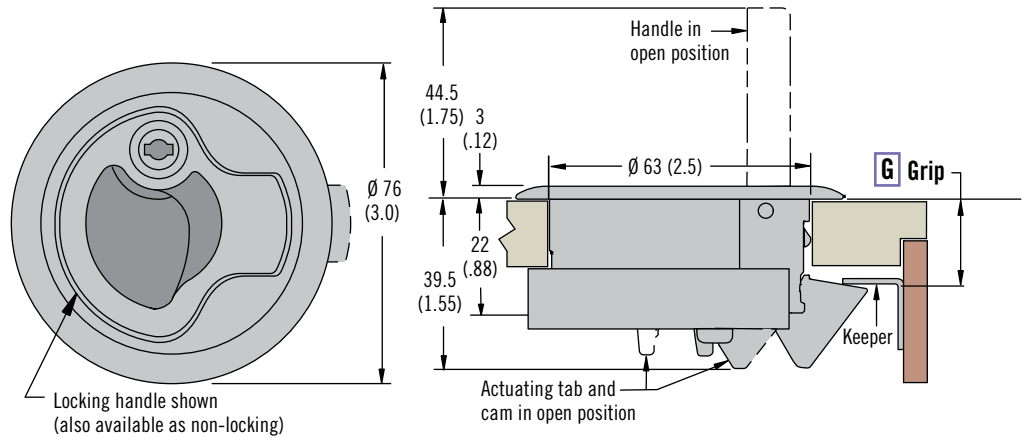


Replacement mounting screw

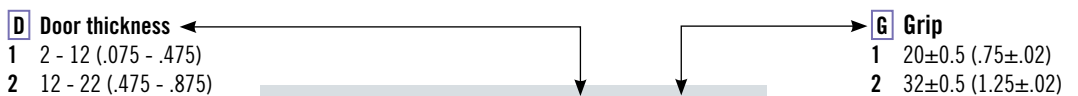
Part number: M1-0-27358-02

Part Number Selection

See page 71 for complimentary styled compression version



G Grip	E Mounting Bracket Height	D Door Thickness		B
		Min.	Max.	
20±0.5 (.75±.02)	22 (.875)	2 (.075)	12 (.475)	27 (1.10)
32±0.5 (1.25±.02)	22 (.875)	2 (.075)	12 (.475)	39 (1.54)
20±0.5 (.75±.02)	12 (.475)	12 (.475)	22 (.875)	27 (1.10)
32±0.5 (1.25±.02)	12 (.475)	12 (.475)	22 (.875)	39 (1.54)



- L Lock style**
- 4 Locking keyed alike (2 keys supplied)
 - 6 Non-locking
 - 7 Key-locking keyed alike S008 (2 overmolded keys supplied)

Dimensions in millimeters (inch) unless otherwise stated



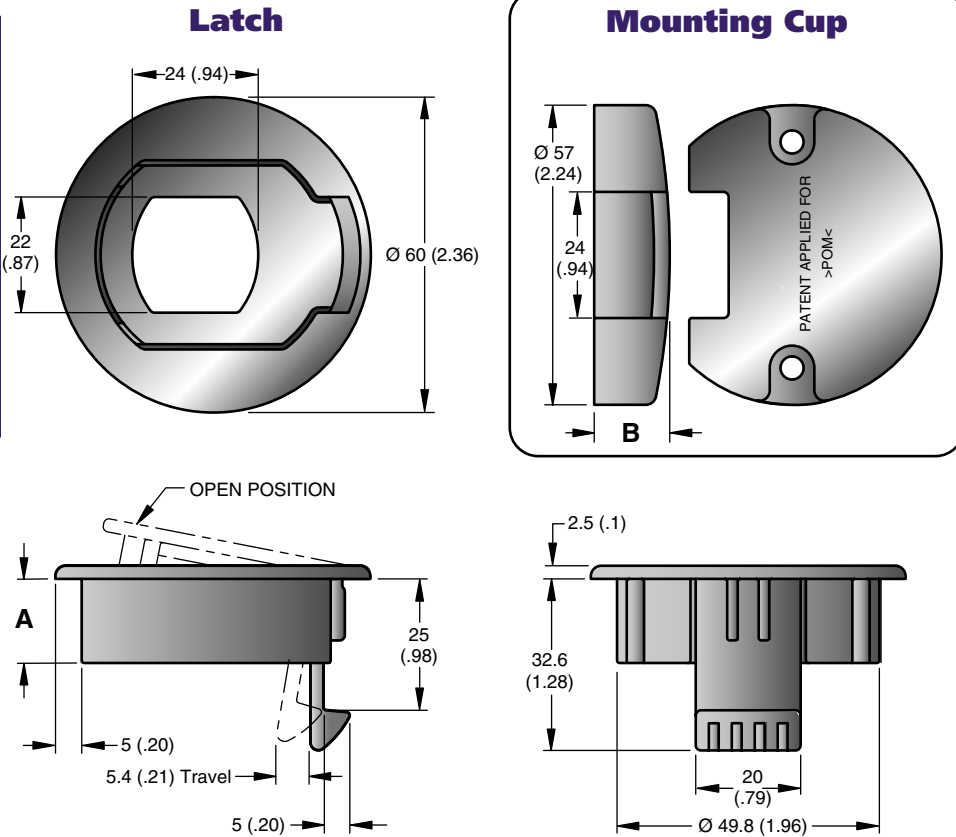
www.southco.com/M1

Southco® Push to Close Latches

Flush Simplicity

- Pull to open
- Corrosion-resistant materials
- Very low profile
- Single, round-hole installation

Push to Close Latches Visible



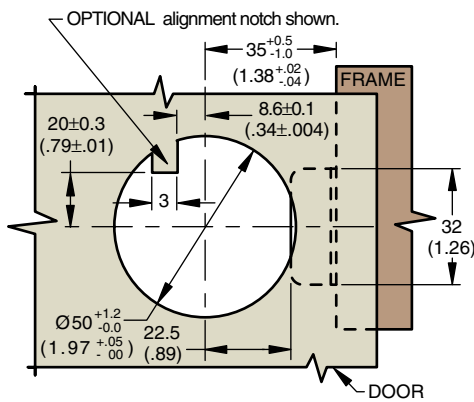
Lift the handle to open...



Push the door to latch.

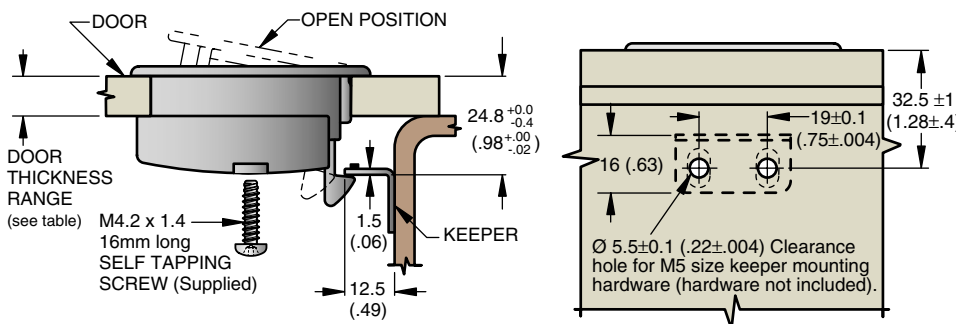
DOOR THICKNESS RANGE	A	B	PART NUMBER
1 (.04) - 7 (.28)	16 (.63)	20.4 (.80)	M1-81 •
7 (.28) - 13 (.51)	16 (.63)	14.3 (.57)	M1-82 •
13 (.51) - 19 (.75)	22 (.87)	14.3 (.57)	M1-83 •

Panel Preparation



Align latch with frame, secure with mounting cup and self tapping screws (supplied with all parts).

CAUTION: Do not over-tighten screws.



Material and Finish

LATCH and MOUNTING CUP: Acetal, black.
KEEPER: 304 Stainless steel, passivated.
SCREWS: 302 Stainless steel, passivated.

Minimum Pawl Engagement: 3.0 (.12)

Product Strength Guidelines

(To assist in your product selection; samples are available for your evaluation.)

Maximum static load: 135 N (30 lbs.)
Average ultimate load: 175 N (39 lbs.)
Maximum tightening torque on mounting screws: 0.5 to 0.8 N•m (4.4 to 7.1 in.-lbs.)

Flammability Rating: UL94-HB
Operating Temperature Range: -40°C (-40°F) to 80 °C (176°F)

millimeter (inch)
millimeter (inch)

Dimensions without tolerances are for reference only.