

# DZUS® Nylatch® NY Panel Fastener 1-Piece

**DZUS®**  
QUICK ACCESS



The 1-piece Nylatch® Panel Fasteners are ideal for high volume assembly operations.

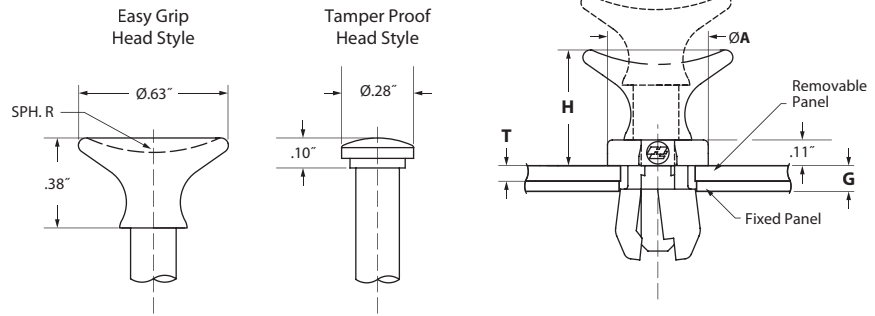
Quick access applications range from appliances and computers to fiber optics.

- Ideal for high-speed assembly operations
- Tested useful life in excess of 10,000 cycles
- Non-corrosive, non-conductive materials
- Tamper proof head or easy grip head styles
- Simultaneous installation in both removable and fixed panels
- Accommodates  $\pm .012$ " misalignment

## Material & Color

**Material:** Polycarbonate

**Color:** Black or white  
UL94 V2 Rated



Head Style	H Max.		Load Data		Weight per 100 Pieces
	Latched	Unlatched	Tension	Shear	
Tamper Proof	.21"	.37"	50 lbs.	75 lbs.	.10 lbs.
Easy Grip	.48"	.65"	60 lbs.	150 lbs.	.32 lbs.

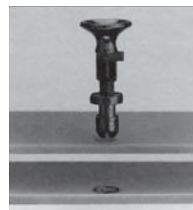
## Part Numbers

Head Style*	G - Grip Range*	T Max.	A	Color	Part Number
Tamper Proof	.076"-.165"	.057"	.34"	Black	NY-N4-2-3-20
				White	NY-N4-2-3-10
Easy Grip	.182"-.271"	.162"	.42"	Black	NY-N5-4-1-20
				White	NY-N5-4-1-10

\* Other headstyles and grip ranges available. Call Southco for details.

## Panel Preparation and Installation

Panel Preparation		Head Style
Hole Dia. Removable Panel	Hole Dia. Fixed Panel	
.238"-.242"	.254"-.259"	Tamper Proof
.294"-.299"	.316"-.323"	Easy Grip



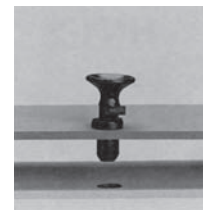
The 1-piece Nylatch® grommet and plunger are molded into a single unit.



To install, insert the grommet end through previously drilled holes in the removable panel and fixed panel (see table above for hole diameters). Then drive the plunger into the grommet by striking the head with a mallet.



As the plunger penetrates the grommet, the grommet expands, locking the panel to the fixed panel.



To release the removable panel: simply pull the plunger up, allowing the grommet to contract. The panels can then be separated. The 1-piece Nylatch® is held captive and ready for reuse.

All dimensions on this page are in inches.