

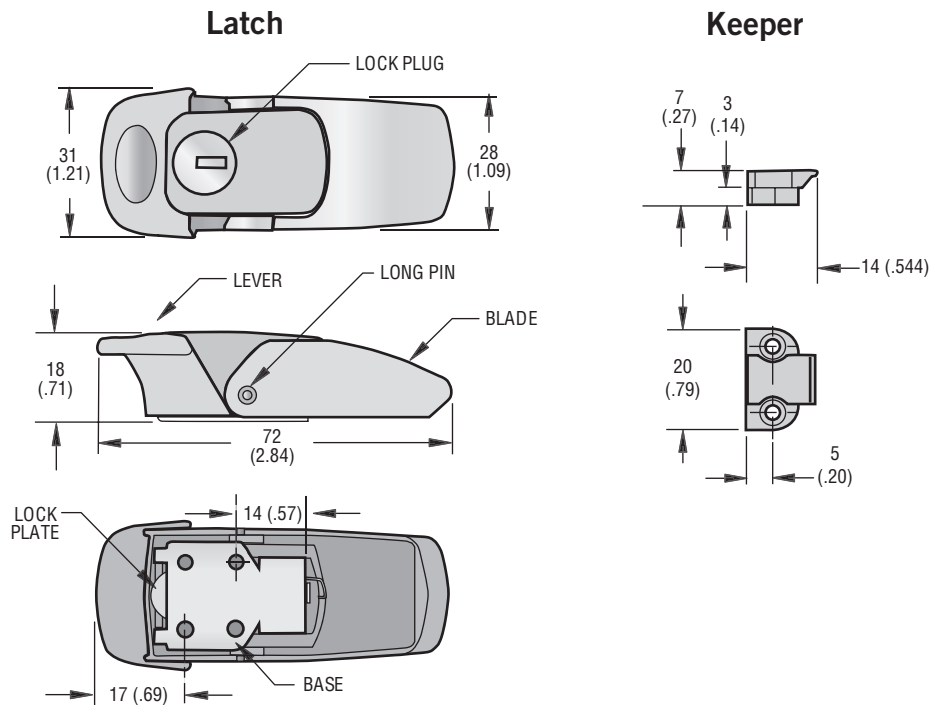
Southco® V7 Draw Latch

Over-Center, Mini

southco®

- Sleek low-profile design
- Robust, riveted, tamper-resistant construction
- Three finishes with optional lock

Draw Latches



Material and Finish

BLADE, LEVER and KEEPER: Die-cast zinc, bright chrome, satin chrome or black powder coated, see part number table
 BASE, SPRING, SHORT AND LONG PINS, and LOCK PLATE: Stainless steel, passivated
 LOCK PLUG with stainless steel
 SHUTTER: Die-cast zinc, chromate
 KEYS: (2) Die-cast zinc, nickel plated

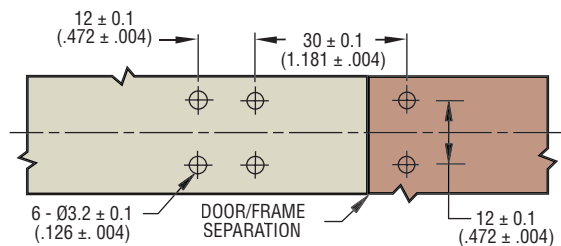
FINISH	VERSION	PART NUMBERS	
		LATCH ASSEMBLY WITH KEEPER	WITH DRAG FEATURE
BRIGHT CHROME	NON-LOCKING	V7-10-105-10	
	LOCKING*	V7-10-115-10	
SATIN CHROME	NON-LOCKING	V7-10-105-20	
	LOCKING*	V7-10-115-20	
BLACK POWDER COATED	NON-LOCKING	V7-10-105-50	
	LOCKING*	V7-10-115-50	

* Two flat keys on a ring are shipped with locking version, locks are keyed alike to S-110.

Panel Preparation

Installation

Install assembly with six M3 (No. 4) flat head screws (not supplied).

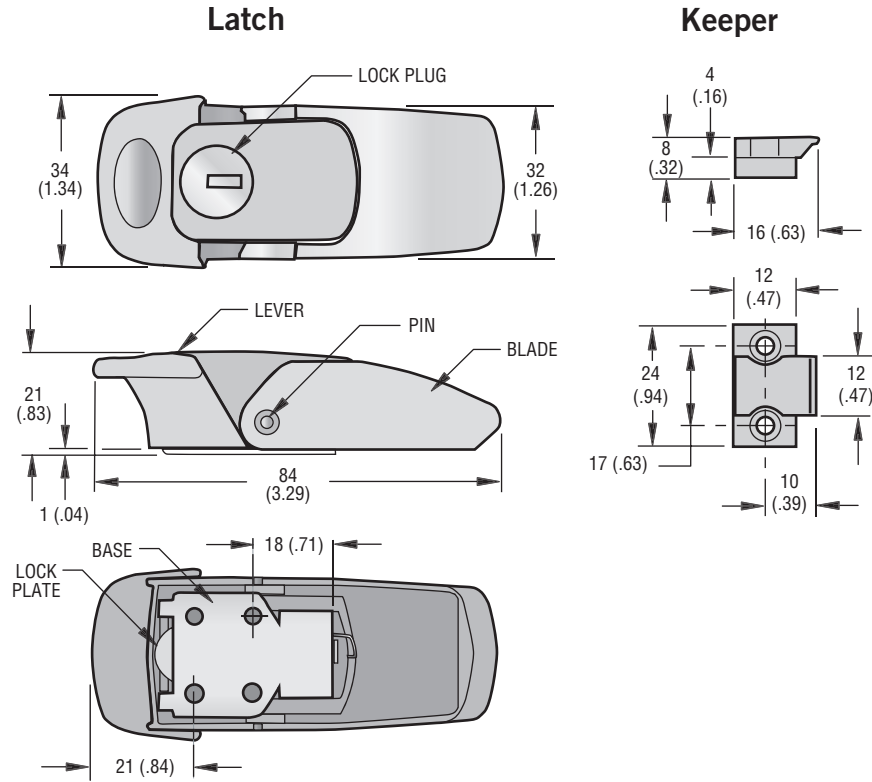


millimeter (inch)
 millimeter (inch)

Dimensions without tolerances are for reference only.

Southco® V7 Draw Latch Over-Center

- Sleek low-profile design
- Robust, riveted, tamper-resistant construction
- Three finishes with optional lock



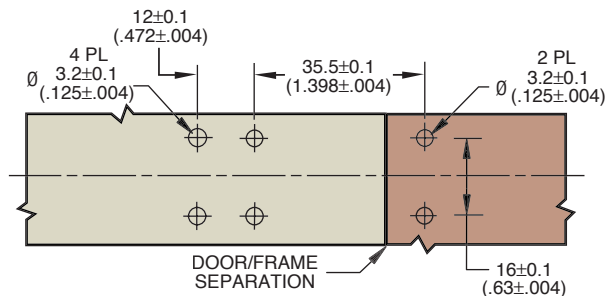
STYLE	PART NUMBERS		
	Bright Chrome	Satin Chrome	Black Powder Coated
Non-Locking	V7-20-101-10 •	V7-20-101-20 •	V7-20-101-50 •
Locking*	V7-20-111-10 •	V7-20-111-20 •	V7-20-111-50 •

Note: Latch, Keeper and Keys (if required) are packaged together.
* Two flat keys on a ring are shipped with locking version, locks are keyed alike to S-110.

Panel Preparation

Installation

Install assembly with six M3 (No. 4) flat head screws (not supplied).



Draw Latches

Material and Finish

BLADE, LEVER and KEEPER: Die-cast zinc, bright chrome, satin chrome or black powder coated
BASE, SPRING, PINS, LOCK SCREWS and LOCK PLATE: Stainless steel, passivated
LOCK PLUG with stainless steel
CAP: Die-cast zinc, chromate dip
KEYS: (2) Die-cast zinc, nickel plated

Product Strength Guidelines

(To assist in your product selection; samples are available for your evaluation.)
Maximum working load: 1200 N (270 lbs.)
Average ultimate load: 2183 N (491 lbs.)

millimeter (inch)
millimeter
(inch)

Dimensions without tolerances are for reference only.

Southco® V7 Draw Latch Over-Center, Compact

southco®

Draw Latches



- Spring-loaded version aides opening
- Supplied with strike

The V7-30 provides big container latch reliability and performance in a small compact size. The stainless steel version features a spring-loaded link that pops up and away from the strike with the release handle is actuated. The over-center design provides generous take-up.

Material & Finish

Material: Cold rolled steel

Finish: Zinc plate

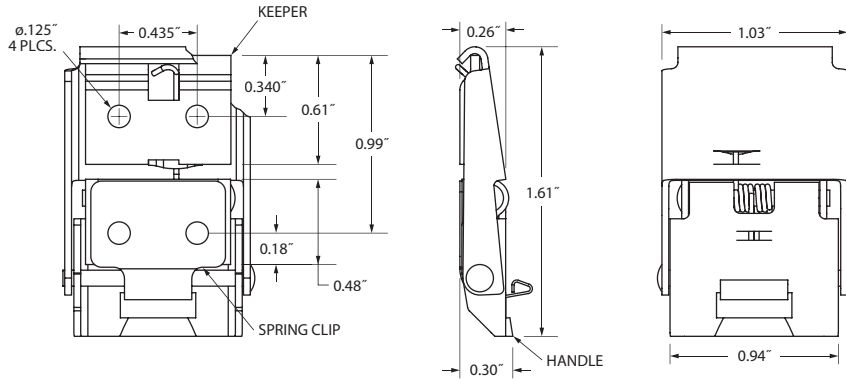
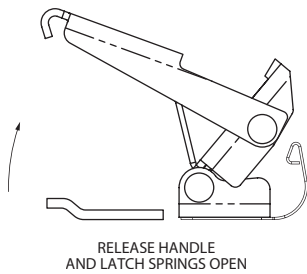
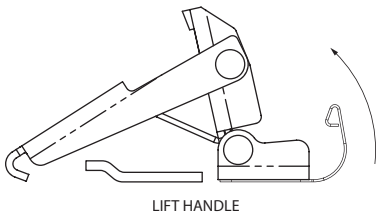
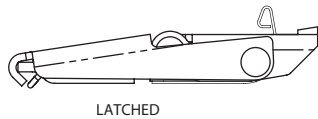
Option: Stainless steel

Mechanical

Ultimate Strength: 450 lbs.

Working Strength: 150 lbs.

Weight: .04 lbs.



Spring Version Shown

V7-30 Part Numbers:

Description	Part Number	Spring
Steel, Zinc plate	V7-30-301-07	No
Stainless Steel	V7-30-302-52	Yes

All dimensions on this page are in inches.

Southco® V7 Draw Latch Over-Center, Chrome Plated



The V7- 40 is a fully enclosed chrome-plated Draw Latch designed for applications where appearance is of maximum importance.

Material & Finish

Material: Cold rolled steel

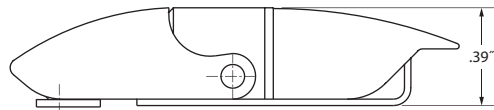
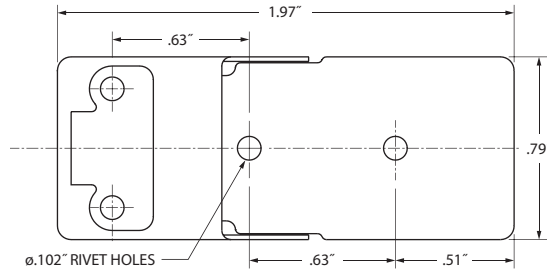
Lever & Latch Finish: Chrome plate

Base & Strike Finish: Bright zinc plate

Mechanical

Working Strength: 45 lbs.

Pull-up Ability: 0.315"

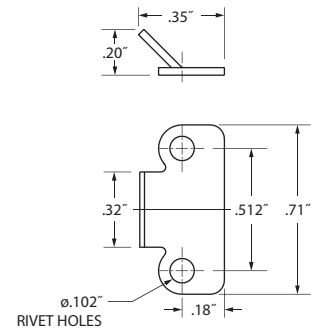


Note: Draw Latch and Keeper ordered separately.

Part Numbers

Description	Part Number
Latch	V7-40-201-10
Keeper	V7-47-201-10

Keeper



All dimensions on this page are in inches.