

MonoSert™ and DuoSert™ Inserts

Quick, easy, rack-mount fastening

Southco® MonoSert™ and DuoSert™ Inserts provide simplicity and flexibility for thin-panel and component attachment in a variety of rack-mount and enclosure applications.

- **Two distinct styles** designed to satisfy different torque requirements and varying panel thicknesses.
- **Fit 9.5mm square holes** found in typical IT racks.
- **Front-mounting convenience** for easy insertion and removal in crowded racks and enclosures.
- **Easy, quick installation without special tools.** MonoSert installs with a manual push. DuoSert uses a common flat-blade screwdriver.
- **Reusable and interchangeable** for easy reconfiguration in the field. Inserts can remain captive in the panel or frame when components are removed, or can easily be popped out for repositioning and reuse.

Inquire about options to fit other hole and thread sizes for various industry applications.

RoHS
COMPLIANT



Southco, your one-stop resource.

As the leading hardware supplier and innovator for network, telecom, computer, and industrial enclosure applications, Southco is your one-stop shopping resource for the widest selection of access and fastening hardware to fit a variety of rack-mount and enclosure needs.

This includes:

- Captive Screws
- Inject/Eject Mechanisms
- Quick-Access Fasteners
- Latches
- Handles and Pulls
- Hinges
- Inserts, Standoffs and Assembly Components

Use in application areas:

- Telecom base station sub-racks
- Electrical switchgear cabinets
- Server racks and enclosures





- No mounting tools required
- Installs with manual push
- Mounting material thickness 1.2 to 4.5 (.047 to .177)

PART NUMBER* **DM-10-10216-10**

* Part number consists of a screw and insert, shipped separately.

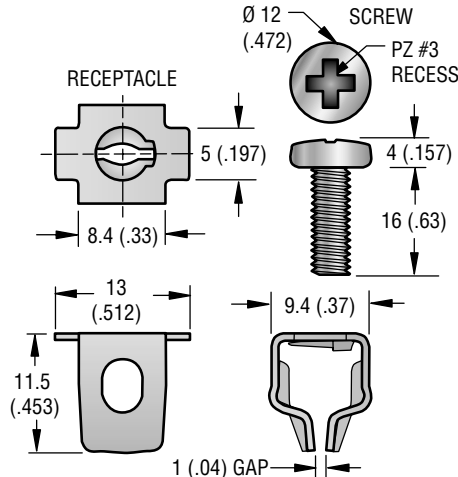
Material and Finish

Receptacle: Carbon steel, zinc plate plus chromate

Screw: Hardened steel, zinc plate plus chromate

Product Strength Guidelines	
Avg. Ultimate Torque	3Nm (2.7 in-lbf.)
Recommended MAX Tightening Torque	2Nm (1.8 in-lbf.)

To assist you in your product selection, samples are available for your evaluation.



Receptacle material thickness is 0.72 (.028)

Panel Preparation

Outer Panel: Ø 6.6 (.26)

Frame: 9.5 (.374) square

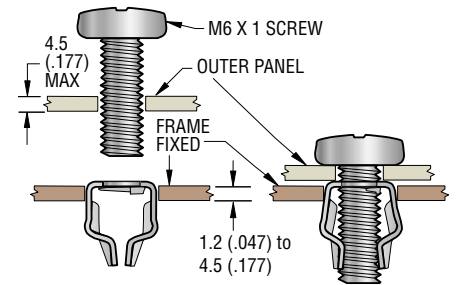
Alternative Installation

Outer Panel and Frame: 9.5 (.374) square

RoHS COMPLIANT

Traditional Installation

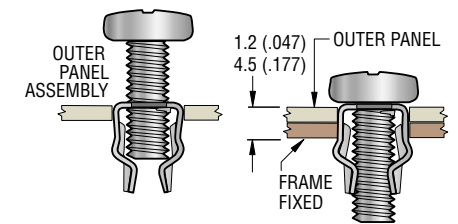
Insert the screw through Outer Panel. Snap the receptacle into Frame, tighten screw until Outer Panel is secured to Frame.



Alternative Installation

Install receptacle in Outer Panel, partially thread screw into receptacle. Push Outer Panel Assembly into Frame, fully tighten screw until Outer Panel is secured to Frame.

This installation option helps to prevent loss of screw when receptacle is released from Frame.



- Mounts with standard screwdriver
- Locks in place with a twist
- Mounting material thickness 1 (.04) to 1.4 (.055)

PART NUMBER **DM-95-10-12-11**

* Screw not supplied.

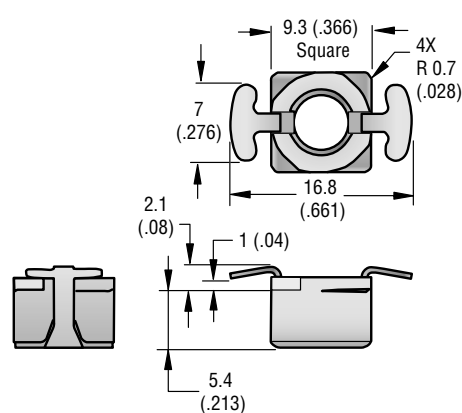
Material and Finish

Nut: Die cast zinc, chromate conversion coating

Cage: Stainless steel, natural

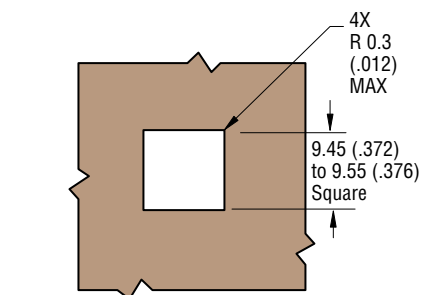
Product Strength Guidelines	
Avg. Ultimate Torque	15Nm (13.3 in-lbf.)
Recommended MAX Tightening Torque	10Nm (8.9 in-lbf.)

To assist you in your product selection, samples are available for your evaluation.



Panel Preparation

Maximum panel thickness 1 to 1.4 (.04 to .055) including any plating or coating.



Installation

Place DuoSert into panel, rotate into place. Recommended installation tool requires a flat blade with 7.5 X 1.5 mm tip dimensions.

RoHS COMPLIANT

