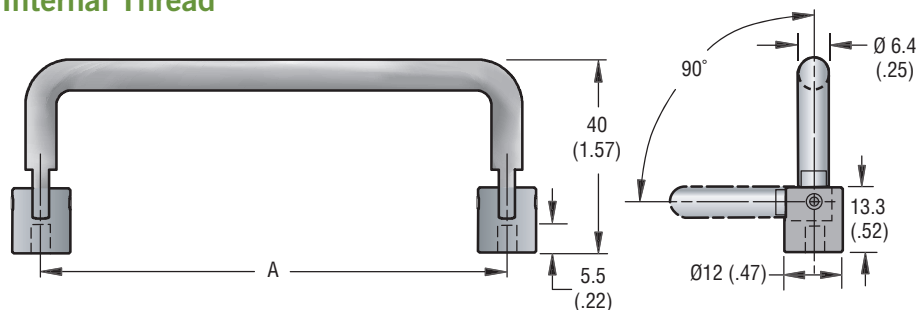


Southco® P9 Handle

Surface Mount

- 90° Infinite position folding
- Folds to a low profile of 13.3 mm (.52 inches) to conserve space
- Built-in friction prevents rattle and provides a quality feel
- Available in two standard finishes and four standard lengths

Internal Thread



THREAD SIZE	LENGTH A	Interior Thread PART NUMBERS	
		Aluminum, Clear Anodized	Aluminum, Black Anodized
M4	40 (1.57)	P9-040-40-M4N-11-3	P9-040-40-M4N-15-3
	64 (2.52)	P9-064-40-M4N-11-3	P9-064-40-M4N-15-3
	96 (3.78)	P9-096-40-M4N-11-3	P9-096-40-M4N-15-3
	128 (5.04)	P9-128-40-M4N-11-3	P9-128-40-M4N-15-3
8-32	40 (1.57)	P9-040-40-08N-11-3	P9-040-40-08N-15-3
	64 (2.52)	P9-064-40-08N-11-3	P9-064-40-08N-15-3
	96 (3.78)	P9-096-40-08N-11-3	P9-096-40-08N-15-3
	128 (5.04)	P9-128-40-08N-11-3	P9-128-40-08N-15-3

† For individually packaged handles, drop the last digit Eg P9-040-40-M4N-11



Material and Finish

HANDLE and MOUNTING BASE: Aluminum, black or clear anodized

PIN: 300 series stainless steel, natural
NUT and LOCKWASHER (External thread version) : Steel, zinc plated

BUSHINGS: Nylon, natural

Installation

Internal thread version: Attach with M4 or 8-32 hardware (not supplied)
Screw length = Thickness of panel plus 5mm (.20 in.) Maximum tightening torque of mounting screws: 170 N•cm (15 in-lbf)

External thread version:

Maximum panel thickness = 8.4 (.33)
M4 or 8-32 hardware supplied. Maximum tightening torque of mounting screws: 115 N•cm (10 in-lbf)

Available in stainless steel, custom sizes and finishes, call Southco for details.

For visual identification: M4 products have ring on bottom of base. 8-32 products are unmarked.

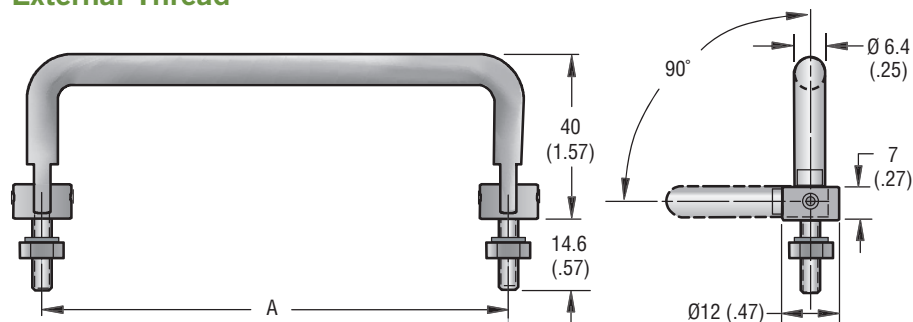
Panel preparation for Internal and External Versions



millimeter (inch)
millimeter (inch)

Dimensions without tolerances are for reference only.

External Thread



THREAD SIZE	LENGTH A	Exterior Thread PART NUMBERS	
		Aluminum, Clear Anodized	Aluminum, Black Anodized
M4	40 (1.57)	P9-040-40-M4X-11-3	P9-040-40-M4X-15-3
	64 (2.52)	P9-064-40-M4X-11-3	P9-064-40-M4X-15-3
	96 (3.78)	P9-096-40-M4X-11-3	P9-096-40-M4X-15-3
	128 (5.04)	P9-128-40-M4X-11-3	P9-128-40-M4X-15-3
8-32	40 (1.57)	P9-040-40-08X-11-3	P9-040-40-08X-15-3
	64 (2.52)	P9-064-40-08X-11-3	P9-064-40-08X-15-3
	96 (3.78)	P9-096-40-08X-11-3	P9-096-40-08X-15-3
	128 (5.04)	P9-128-40-08X-11-3	P9-128-40-08X-15-3

† For individually packaged handles, drop the last digit Ex P9-040-40-M4X-11

Handles