



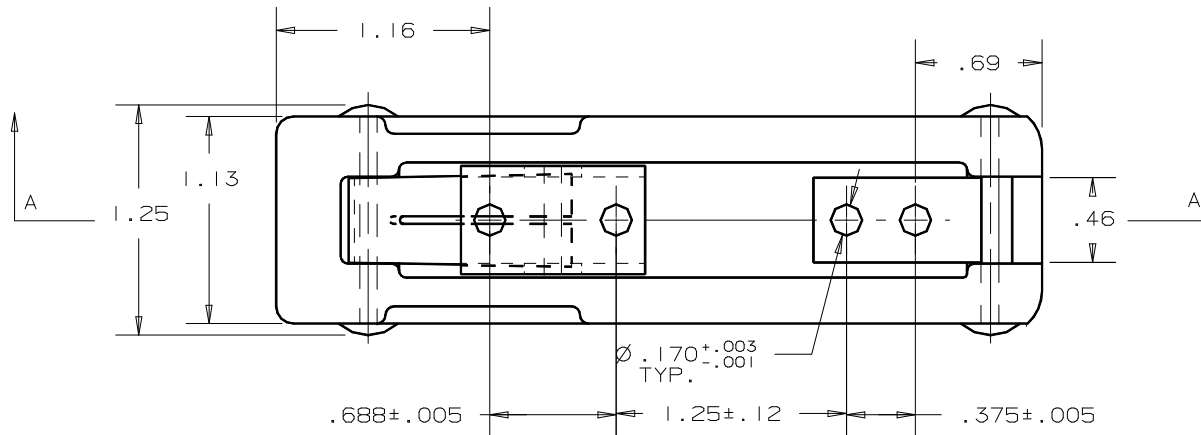
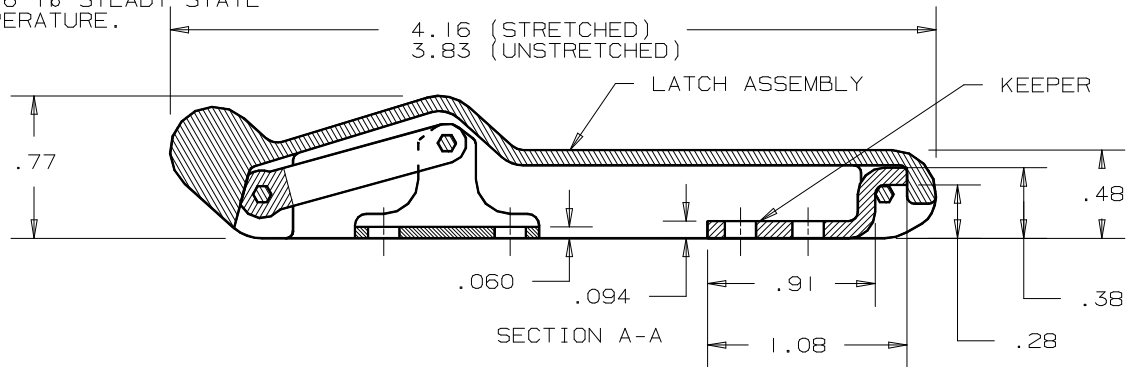
SOUTHCO SOFT-LATCH™
FLEXIBLE COVER DRAW LATCH

DATE	DRAWN	CHKD	SCALE	DRAWING NUMBER
4/10/89	RES		1:1	J-C7-10

REV.	DATE	BY-CHKD	REVISIONS	ITEM	COMPONENT	PART NO.	MATERIAL	FINISH
A	7/10/89	RES	PRN C7-2A, ADDED THIRD PATENT NO.	ASSEMBLY		C7-10		
B	7/27/90	JAD	PRN: C7-11		LATCH SUB-ASSEMBLY		SEE NOTE 1.	SEE NOTE 1.
C	12-19-90	RHB	PRN C7-14		KEEPER		304 STAINLESS STEEL	PASSIVATED
D	05MAY95	MDM	PRN: C7-27					
E	05DEC95	ALC	PRN: C7-34					

NOTES:

- LATCH SUB-ASSEMBLY CONSISTS OF:
LATCH BODY - THERMOPLASTIC ELASTOMER, BLACK
LEVER AND BUSHINGS - GLASS REINFORCED NYLON, BLACK
PINS - 300 SERIES STAINLESS STEEL, PASSIVATED
RIVET - 430 STAINLESS STEEL, PASSIVATED
BRACKET - 304 STAINLESS STEEL, PASSIVATED
- MOUNT USING 4 mm OR 5/32 DIA. RIVETS OR No. 8 OR M4 SIZE HARDWARE.
- LATCH APPLIES APPROX. 16 lb STEADY STATE CLAMP LOAD AT ROOM TEMPERATURE.



FORMAT A 3/88

PROPRIETARY ITEM - EXCEPT FOR USES EXPRESSLY GRANTED IN WRITING
INFORMATION DISCLOSED HEREON IS CONFIDENTIAL AND ALL RIGHTS PATENT
AND OTHERWISE ARE RESERVED BY SOUTHCO, INC.

PATENTED

ALL DIMENSIONS WITHOUT TOLERANCES
ARE FOR REFERENCE ONLY

DRAWING NUMBER
J-C7-10