

**southco**<sup>®</sup>

PROPRIETARY ITEM - EXCEPT FOR USES EXPRESSLY GRANTED IN WRITING INFORMATION DISCLOSED HEREON IS CONFIDENTIAL AND ALL RIGHTS PATENT AND OTHERWISE ARE RESERVED BY SOUTHCO, INC.

ELECTRONIC KEY ASSEMBLY

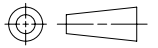
DATE	DRAWN	CHKD	SCALE
02APR2008	CW	-	1:1

DRAWING NUMBER
J-EA-B10

REV	DATE	DRAWN/CHKD	DESCRIPTION	ITEM	PART NUMBER	MATERIAL	COLOR
1	02APR2008	CW/TVA	INITIAL RELEASE	ASSEMBLY	EA-B10-1D-EE	SEE NOTE A	SEE TABLE 1
A	10SEP2008	CW/TVA	RELEASE FOR TOOLING				
B	12NOV2008	MJS/TVA	PRN: P2008-1238				
C	27FEB2009	MJS/TVA	PRN: P2009-0258				
D	03APR2009	ACH/TVA	PRN: P2009-0372				
E	22JUL2009	MJS/CLB	PRN: P2009-0852				
F	08JAN2010	MJS/CLB	PRN: P2010-0030				
G	22JAN2010	MJS/CLB	PRN: P2010-0081				

**MILLIMETERS**

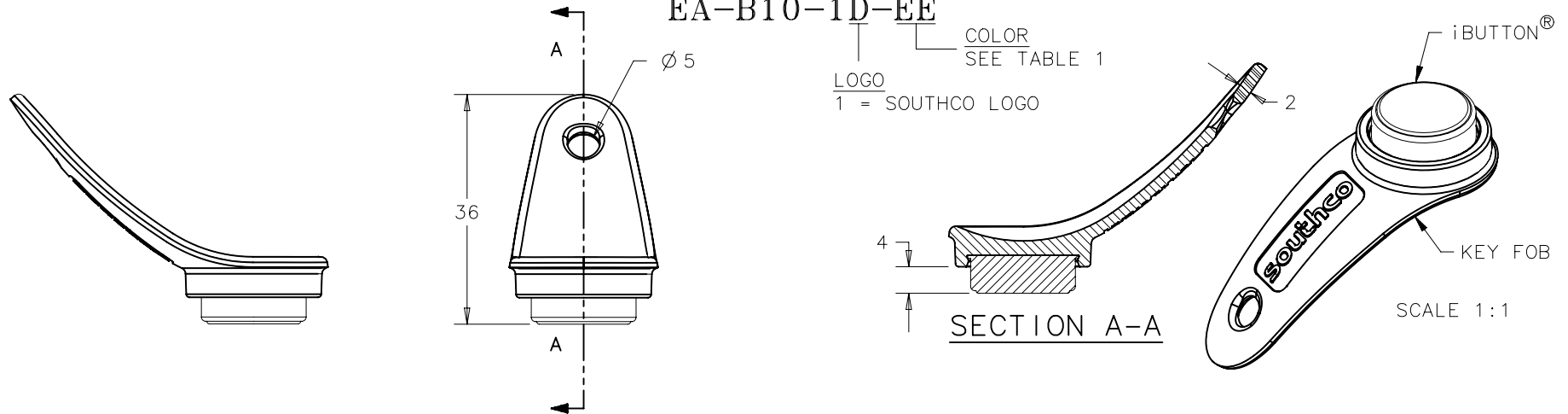
ALL DIMENSIONS WITHOUT TOLERANCES ARE FOR REFERENCE ONLY.



THIRD ANGLE PROJECTION

A4 PAPER SIZE

**EA-B10-1D-EE**



NOTES:

A. MATERIAL AND FINISH:  
(MATERIALS AND COLORS ARE RoHS COMPLIANT)

KEY FOB - ACETAL (COLOR:SEE TABLE)

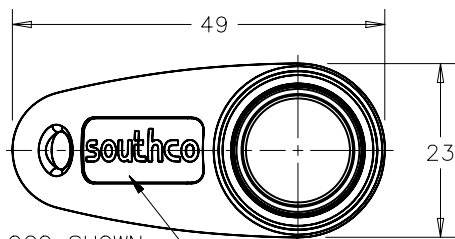
iBUTTON<sup>®</sup> - STAINLESS STEEL

B. iBUTTON<sup>®</sup> IS REGISTERED TRADEMARK OF MAXIM INTEGRATED PRODUCTS.

C. SHIPPED INDIVIDUALLY IN ESD BAG.

D. FOR USAGE AND PROGRAMMING INSTRUCTIONS, SEE J-EA-B90-M

E. FOR USE WITH SOUTHCO ELECTRONIC KEY SYSTEM COMPONENTS:  
 - ELECTRONIC KEY READER P/N: EA-B3X-XXX  
 - ELECTRONIC KEY CONTROLLER P/N: EA-B2X-XXX  
 - POWER WIRE HARNESS P/N: EA-W22-XXX



SOUTHCO LOGO SHOWN.  
CUSTOM LOGO AVAILABLE.  
(CONTACT SOUTHCO FOR DETAILS)

TABLE 1

-EE	COLOR
-01	RED
-02	ORANGE
-03	GREEN
-04	BLUE
-05	PURPLE
-06	YELLOW
-07	BLACK
-08	WHITE
-09	GREY