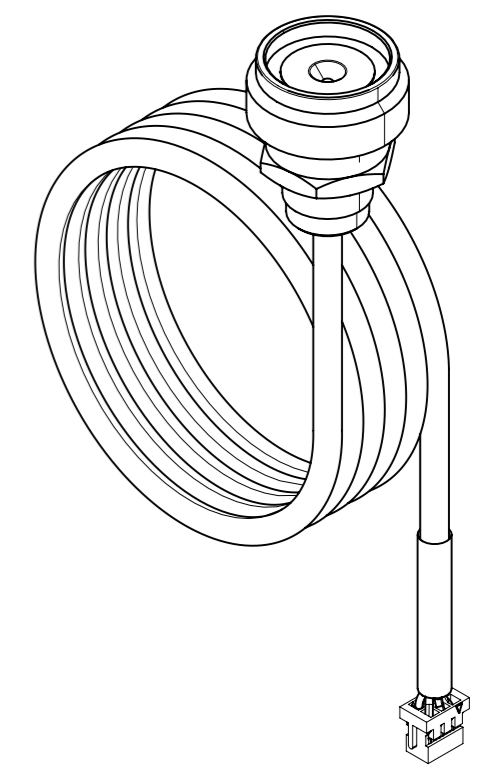
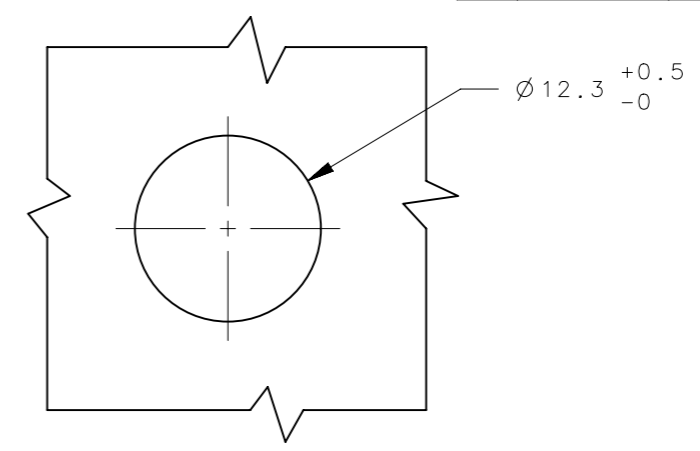
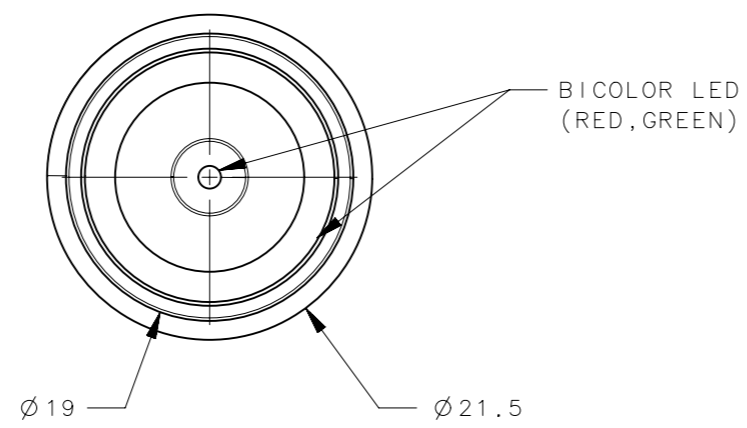
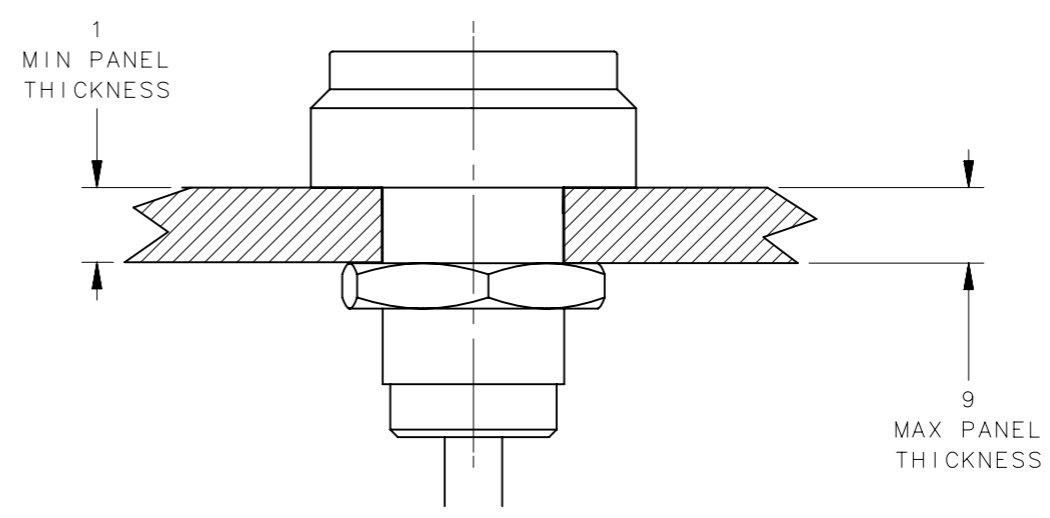
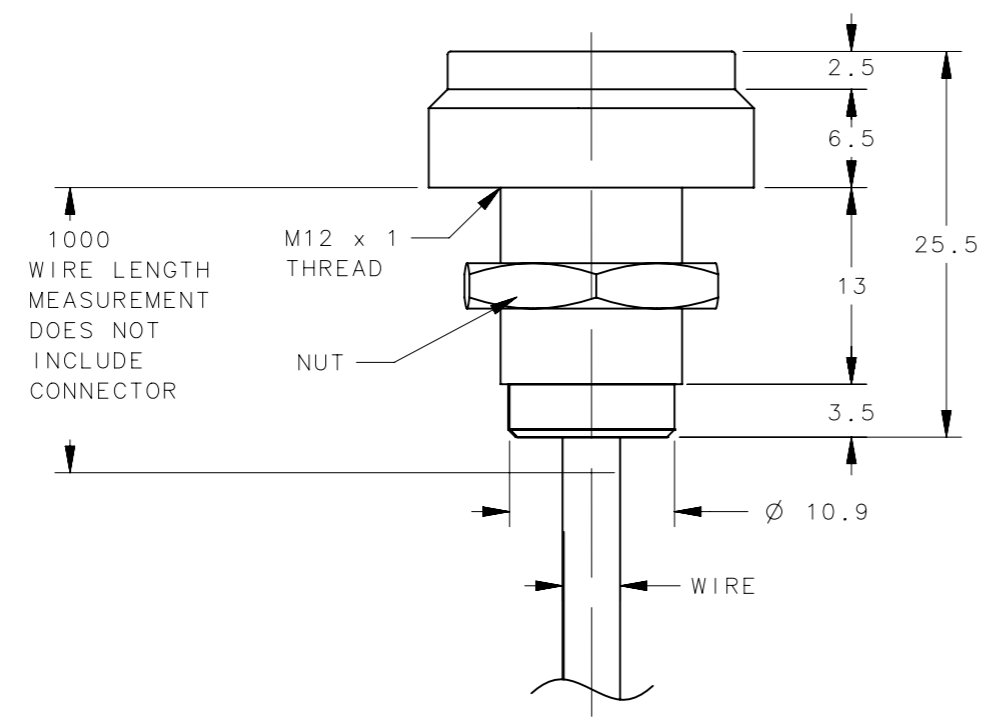


REVISION HISTORY			
REV	DATE	BY	DESCRIPTION
D	14JAN2010	MJS/CLB	PRN: P2010-0030



PANEL PREPARATION



INSTALLED

SCALE 1:1

NOTES:

A. INSTALLATION:

1. PREPARE PANEL AS SHOWN.
2. REMOVE NUT.
3. SLIP ASSEMBLY THROUGH HOLE.
4. THREAD ON NUT - DO NOT OVER TIGHTEN.
5. PLUG CONNECTOR INTO ELECTRONIC KEY READER CONNECTOR ON CONTROLLER ASSEMBLY.

CONNECTOR HIROSE P/N: DF11-6DS-2C

B. MATERIAL AND FINISH (RoHS COMPLIANT)

1. ELECTRONIC KEY READER ASSEMBLY - POLYACETAL (POM) AND CHROME PLATED STEEL
2. NUT - POLYACETAL (POM)

C. FOR USE WITH ELECTRONIC KEY SYSTEM COMPONENTS:

- ELECTRONIC KEY P/N: EA-B1X-XX-XX
- ELECTRONIC KEY CONTROLLER P/N: EA-B2X-XXX
- POWER WIRE HARNESS P/N: EA-W22-XXX

-	EA-B30-117	1	ASSEMBLY	SEE NOTES	SEE NOTES
NO.	SOUTHCO PART NUMBER	QTY	TYPE OF COMPONENT	MATERIAL	FINISH
			THIRD ANGLE PROJECTION		
			MILLIMETERS [IN]		
SURFACE AREA			TOLERANCES UNLESS OTHERWISE NOTED		DESCRIPTION Electronic Access Solution ELECTRONIC KEY READER
VOLUME			ALL DIMENSIONS WITHOUT TOLERANCES ARE FOR REFERENCE ONLY.		
PROPRIETARY ITEM			SIZE	SYSTEM	DWG NO.
EXCEPT FOR USES EXPRESSLY GRANTED IN WRITING, INFORMATION DISCLOSED HEREON IS CONFIDENTIAL AND ALL RIGHTS, PATENT AND OTHERWISE, ARE RESERVED BY SOUTHCO, INC.			A3	NX	J-EA-B30-11
PER ASME Y14.5M-1994			DRAWN BY	DATE	SCALE
			ACH/MJS	06MAR2009	2:1
			SHEET		1 OF 1