



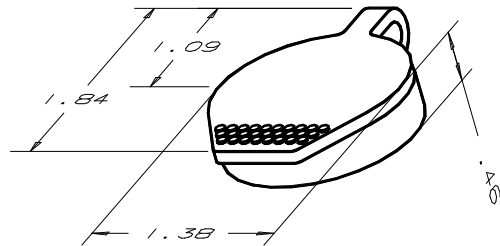
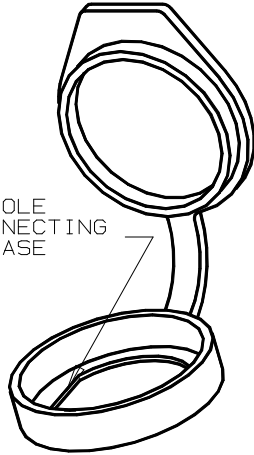
SEALING COVER FOR VISE-ACTION LATCH
SINGLE HOLE MOUNT

DATE	DRAWN	CHKD	SCALE	DRAWING NUMBER
9-24-90	pek		1 : .75	J-90-3

CONCORDVILLE, PA

PART NUMBER : 90-3
MATERIAL : THERMOPLASTIC ELASTOMER,
BLACK

FLATS OF THRU HOLE
PARALLEL TO CONNECTING
STRIP BETWEEN BASE
AND COVER.

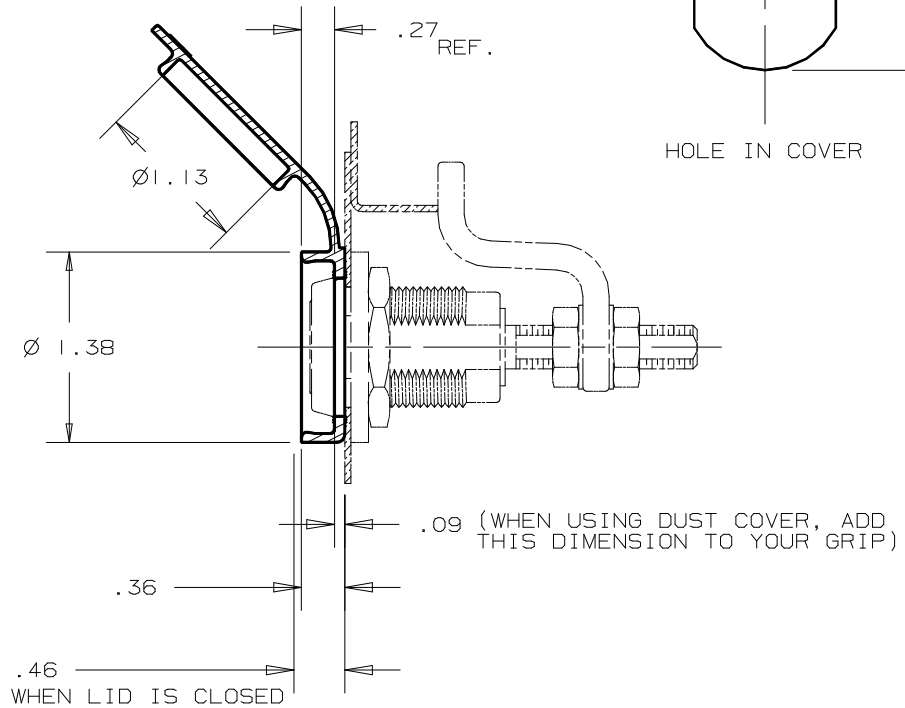
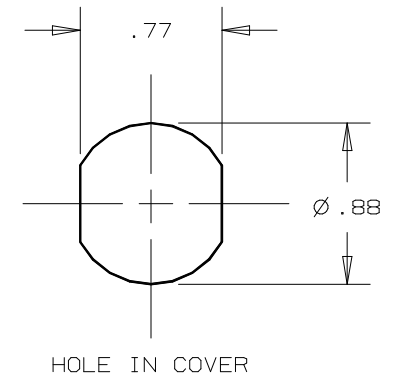


SEALING COVER MAY BE USED WITH THE FOLLOWING:

E3-12-15	E3-13-15	E3-14-15	E3-15-15	E3-16-15
E3-12-17	E3-13-17	E3-14-17	E3-15-17	E3-16-17
E3-12-25	E3-13-25	E3-14-25	E3-15-25	E3-16-25
E3-12-27	E3-13-27	E3-14-27	E3-15-27	E3-16-27
E3-12-35	E3-13-35	E3-14-35	E3-15-35	E3-16-35
E3-12-37	E3-13-37	E3-14-37	E3-15-37	E3-16-37

E3-10-214-50	E3-10-214-75	E3-54-715-50	E3-54-715-75
E3-10-215-50	E3-10-215-75	E3-55-715-50	E3-55-715-75
E3-10-216-50	E3-10-216-75	E3-56-715-50	E3-56-715-75

E5-G-1	E5-G-2
E5-1-XXX-XXX	E5-2-XXX-XXX



REV.	DATE	BY-CHKD	REVISIONS
A	MARCH 1992	JGK	ADDED HOLE IN COVER & DIM. Ø1.13 AND .27 REF.
B	1 NOV 93	RES	PRN: 90-82

PROPRIETARY ITEM - EXCEPT FOR USES EXPRESSLY GRANTED IN WRITING
INFORMATION DISCLOSED HEREON IS CONFIDENTIAL AND ALL RIGHTS PATENT
AND OTHERWISE ARE RESERVED BY SOUTHCO, INC.

DRAWING NUMBER
J-90-3