



SOUTHCO No.44 FASTENER ~ SPECIAL ASSEMBLY
TYPE A

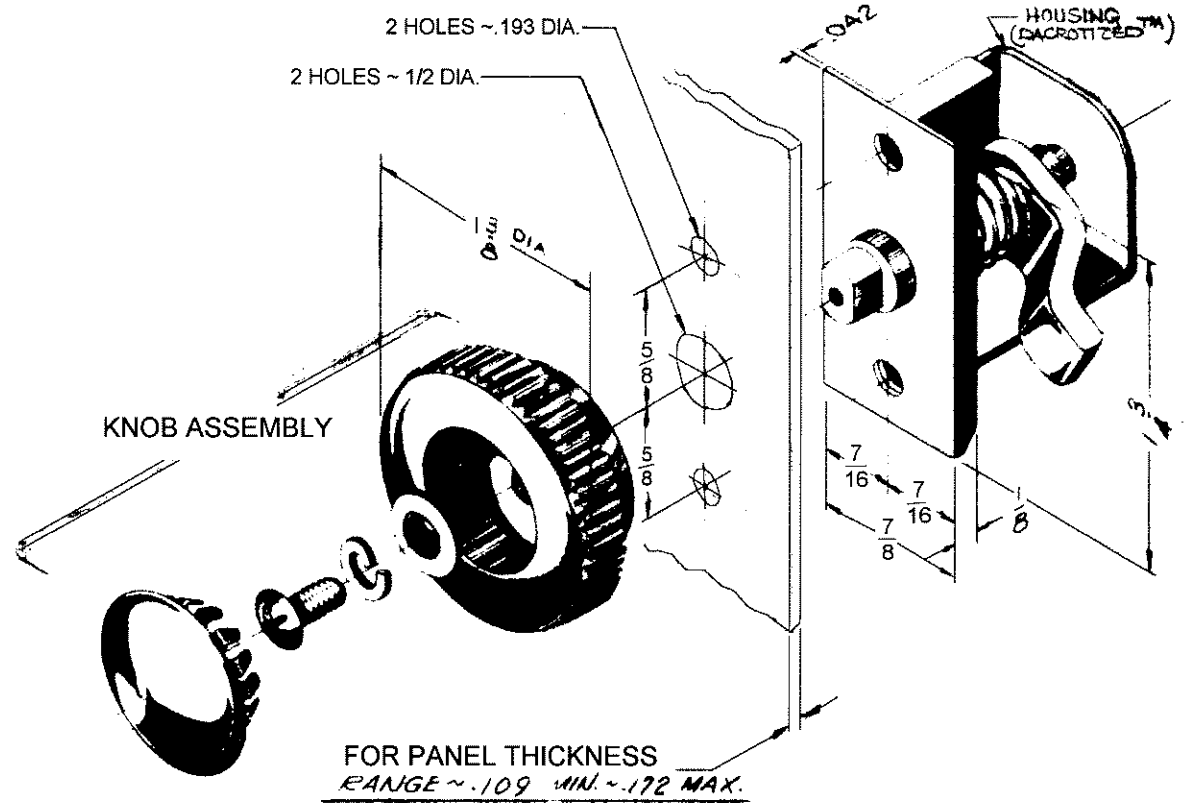
DATE	DRAWN	CHKD	SCALE	DRAWING NUMBER
3-16-56	A.S.K.	MRT	N.T.S.	J-44-14

REV. LET	DATE	BY	CHK'D
A	10-23-74	VEK	
B	5-17-77	ESH	
C	8-29-77	ESH	
D	11-12-80	ESH	
E	2-1-82	HAR	
F	11DEC92	YSS	
G	5 MAR 93	JRR	
H	02APR96	RJB	

REV.	REVISION
A	PRN-44-03
B	PRN-120-14
C	PRN-44-27
D	PRN-44-43
E	PRN 5-1-01
F	PRN:14-75
G	PRN: 5-1-03
H	PRN:44-119

GRIP RANGE	ASSEMBLY PART NUMBER
D ¹ TO B ³	44-99-119-11
	44-99-119-21
	44-99-119-31
D ^{1/8} TO 3/4	44-99-119-12
	44-99-119-22
	44-99-119-32
A ³ TO B ¹	44-99-119-13
	44-99-119-23
	44-99-119-33

CONSISTS OF -	MATERIAL & FINISH				
	SUBASSEMBLY	SUBASSEMBLY	SUBASSEMBLY	KNOB ASSEMBLY	KNOB ASSEMBLY
44-99-119-41	44-99-119-42	44-99-119-43	4-3-17-3	4-4-17-3	4-2-17-3

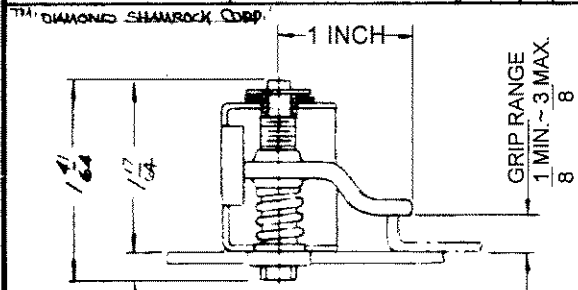


FOR PANEL THICKNESS
RANGE ~ .109 MIN. ~ .172 MAX.

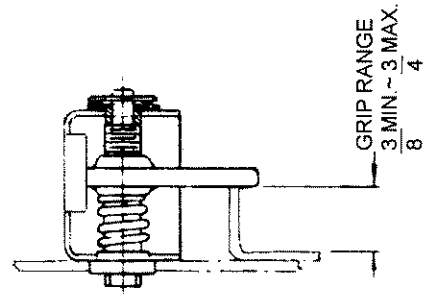
THESE ASSEMBLIES ARE NON-REPAIRABLE ITEMS
AND COMPONENTS ARE NOT AVAILABLE AS RE-
PLACEMENT OR REPAIR PARTS.

PROPRIETARY ITEM

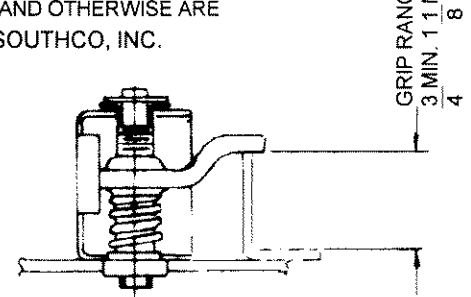
EXCEPT FOR USES EXPRESSLY GRANTED
IN WRITING INFORMATION DISCLOSED
HEREON IS CONFIDENTIAL AND ALL
RIGHTS PATENT AND OTHERWISE ARE
RESERVED BY SOUTHCO, INC.



SUBASSEMBLY
PART No. 44-99-119-41



SUBASSEMBLY PART
No. 44-99-119-42



SUBASSEMBLY PART
No. 44-99-119-43

DRAWING NUMBER
J-44-14