

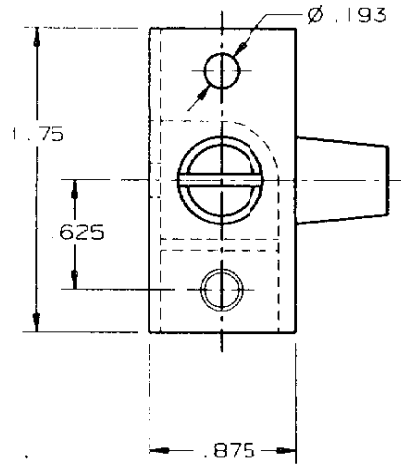


N<sub>o</sub>. 44 ADJUSTABLE GRIP LATCH  
RIGHT HAND ASSEMBLY

DATE	DRAWN	CHKD	SCALE	DRAWING NUMBER
25AUG95	M D M		1.5:1	J-44-6-1

REV.	DATE	BY-CHKD	REVISIONS	PART NUMBER	GRIP RANGE	
					MIN	MAX.
A	12NOV96	JGK	PRN: S-1-06A			
				44-1-16-0	.125	.375
				44-1-17-0	.375	.75
				44-1-18-0	.75	1.125

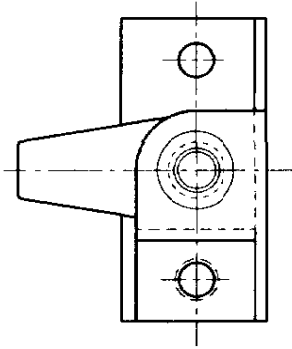
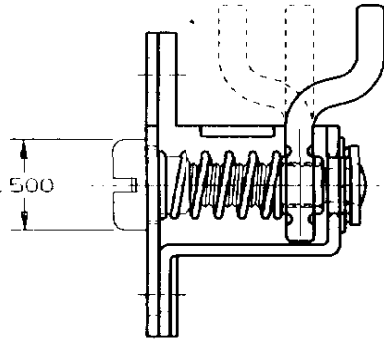
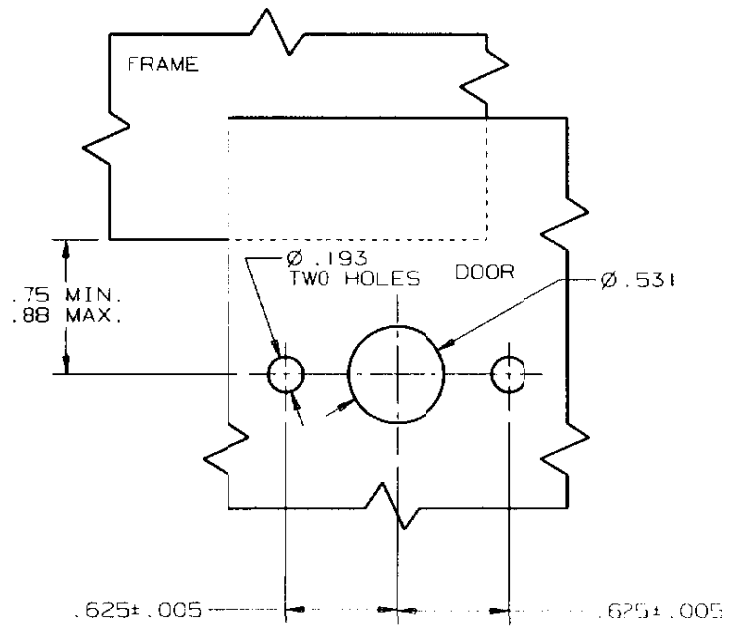
NOTE: ALL DIMENSIONS WITHOUT TOLERANCE  
ARE FOR REFERENCE ONLY



**MATERIAL AND FINISH**

- SCREW: STEEL, BRIGHT CHROMATE PLUS SEALER.
- PAWLS: STEEL, ZINC PLATE CHROMATE PLUS SEALER.
- HOUSING: STEEL, ZINC PLATE CHROMATE PLUS SEALER.
- SPRING: STAINLESS STEEL, PASSIVATED.
- CONICAL SPRING: STAINLESS STEEL, PASSIVATED.
- BUSHING: STEEL, ZINC PLATE CHROMATE PLUS SEALER.

PANEL PREPARATION



FORNATA 3/88

PROPRIETARY ITEM - EXCEPT FOR USES EXPRESSLY GRANTED IN WRITING  
INFORMATION DISCLOSED HEREON IS CONFIDENTIAL AND ALL RIGHTS PATENT  
AND OTHERWISE ARE RESERVED BY SOUTHCO, INC. (LASERJET - ANVIL)

*322 313 Hilltop*

NOV 15 1999

DRAWING NUMBER
J-44-6-1