

PROPRIETARY ITEM - EXCEPT FOR USES EXPRESSLY  
 SET FORTH IN THIS DRAWING, ALL RIGHTS RESERVED  
 AND OTHERWISE ARE RESERVED BY SOUTHCO, INC.

**southco**  
 REV. DATE DRAWN BY  
 G. 18MAY99 MM

REVISION  
 PRN: 62-641

ASSEMBLY PART No.  
 SEE TABLE

MATERIAL  
 SEE NOTE D

FINISH  
 SEE NOTE D

DATE  
 03NOV92

DRAWN  
 JSS

CHKD  
 SCALE  
 1.5 : 1

DRAWING NUMBER  
 J-62-20

MILLIMETER DIMENSIONS  
 DIMENSIONS WITHOUT  
 TOLERANCES ARE FOR  
 REFERENCE ONLY.

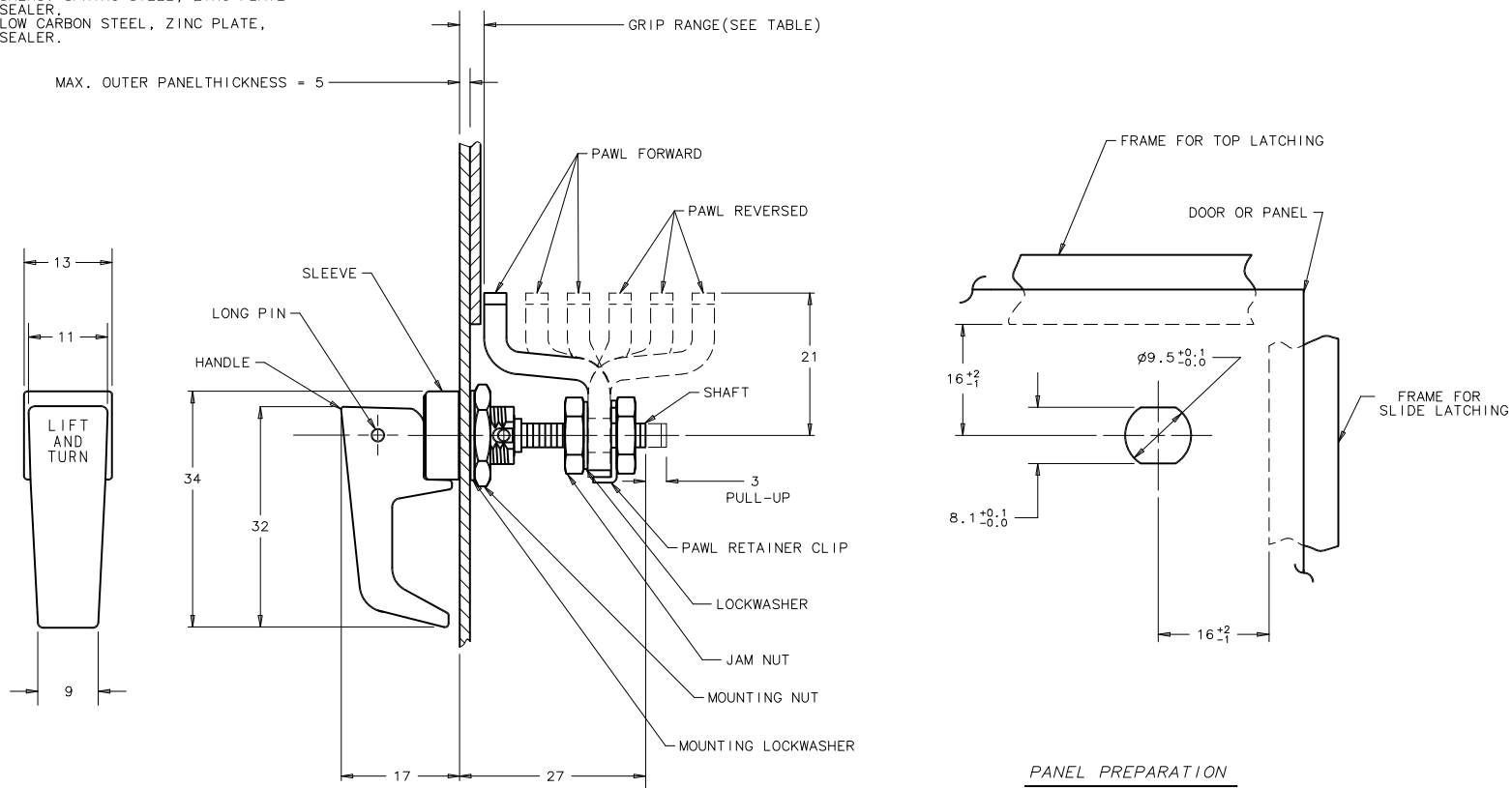


## NOTES:

- A- THREAD SIZE OF SLEEVE IS 3/8-24 AND THE SHAFT IS AN M5.
- B- ASSEMBLE AS SHOWN AND ROTATE PAWL TO THE DESIRED LATCHING POSITION.
- C- PAWL SHOULD BE ADJUSTED TO GRIP MEASUREMENT WITH THE DOOR OPEN AND THE HANDLE IN THE LATCHED POSITION. USE TWO WRENCHES TO TIGHTEN.
- D- MATERIAL AND FINISH:  
 HANDLE AND SLEEVE: DIE CAST ZINC, SEE TABLE.  
 LONG PIN: 1112 STEEL, ZINC PLATED BRIGHT.  
 SPRING: 302 STAINLESS STEEL, PASSIVATED.  
 BUSHING: 12L14 STEEL, ZINC PLATE.  
 PLUS SEALER OR WITH BLACK ORGANIC COATING.  
 SHAFT: 12L14 STEEL, ZINC PLATE, BLACK CHROMATE PLUS SEALER.  
 PAWL POSITION PIN: 1213 STEEL, ZINC PLATE PLUS SEALER OR WITH BLACK ORGANIC COATING.  
 PAWL AND PAWL RETAINING CLIP: 1010 STEEL, ZINC PLATE, PLUS SEALER.  
 LOCKWASHERS: SPRING STEEL, ZINC PLATE PLUS SEALER.  
 NUTS: LOW CARBON STEEL, ZINC PLATE, PLUS SEALER.

| GRIP |     | ASSEMBLY PART NUMBER TABLE |                                       |                     |                                      |
|------|-----|----------------------------|---------------------------------------|---------------------|--------------------------------------|
| MIN  | MAX | POLISHED CHROME            | NATURAL WITH CHEMICAL PROTECTIVE FILM | BLACK POWDER COATED | SATIN SILVER POLYESTER POWDER COATED |
| 0    | 4   | 62-20-11                   | 62-20-13                              | 62-20-15            | 62-20-17                             |
| 4    | 10  | 62-20-21                   | 62-20-23                              | 62-20-25            | 62-20-27                             |
| 10   | 16  | 62-20-31                   | 62-20-33                              | 62-20-35            | 62-20-37                             |
| 16   | 22  | 62-20-31                   | 62-20-33                              | 62-20-35            | 62-20-37                             |
| 22   | 28  | 62-20-21                   | 62-20-23                              | 62-20-25            | 62-20-27                             |
| 28   | 34  | 62-20-11                   | 62-20-13                              | 62-20-15            | 62-20-17                             |

NOTE: FOR HANDLES WITHOUT LETTERING, ADD -1 TO THE END OF THE PART NUMBER.  
 (EXAMPLE: 62-20-21-1)



PANEL PREPARATION