

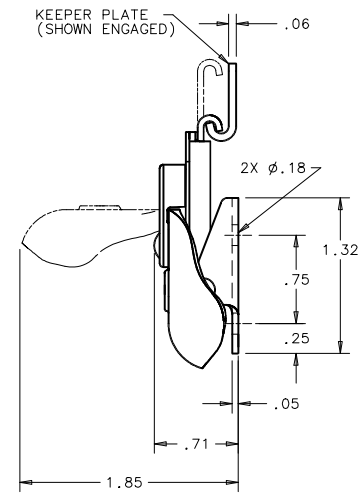
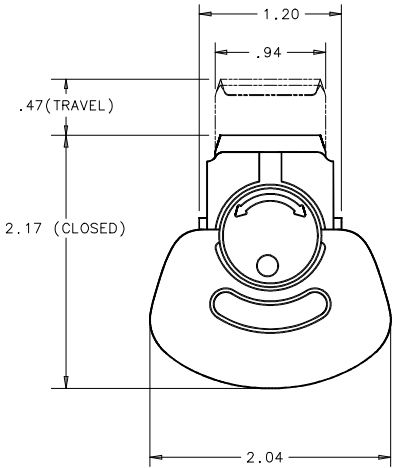
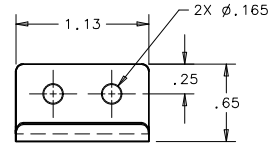
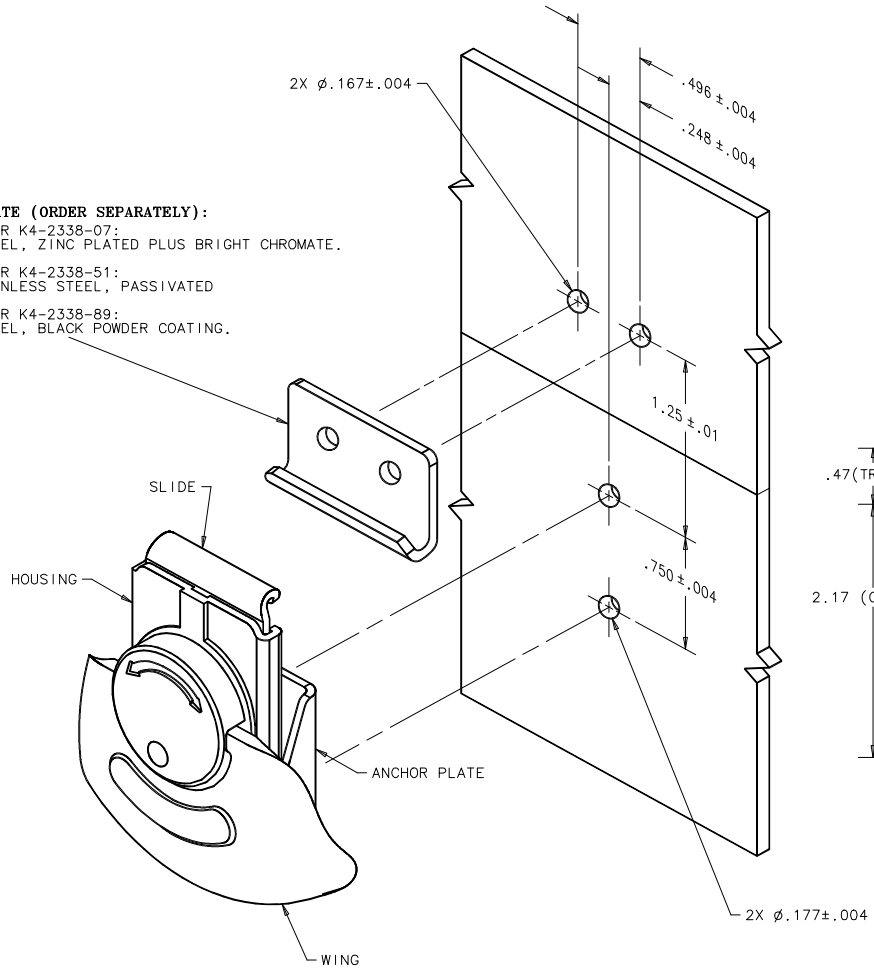
No. K2 ROTARY ACTION DRAW LATCH, FIXED VERSION

PROPRIETARY ITEM - EXCEPT FOR USES EXPRESSLY GRANTED IN WRITING INFORMATION DISCLOSED HEREON IS CONFIDENTIAL AND ALL RIGHTS PATENT AND OTHERWISE ARE RESERVED BY SOUTHCO, INC.

DRAWING NUMBER	J-K2-3001-E
SCALE	1:1
CHG#	JSS
DATE	08APR96
INCHES	
ALL DIMENSIONS WITHOUT TOLERANCES ARE FOR REFERENCE ONLY.	
THIRD ANGLE PROJECTION	PAPER SIZE

BRN#	GEA
DATE	08APR96
CHG#	JSS
SCALE	1:1
DRAWING NUMBER	J-K2-3001-E

KEEPER PLATE (ORDER SEPARATELY):
 PART NUMBER K4-2338-07:
 1020 STEEL, ZINC PLATED PLUS BRIGHT CHROMATE.
 PART NUMBER K4-2338-51:
 304 STAINLESS STEEL, PASSIVATED
 PART NUMBER K4-2338-89:
 1020 STEEL, BLACK POWDER COATING.



MATERIAL AND FINISH:

ASSEMBLY PART NUMBER K2-3001-07:

ANCHOR PLATE, WING, HOUSING, LOWER CAM:
 1020 STEEL, ZINC PLATED PLUS BRIGHT CHROMATE.
 UPPER CAM:
 1008 STEEL, ZINC-PLATED PLUS BRIGHT CHROMATE.
 SLIDE:
 1055 HARDENED STEEL, ZINC PLATED PLUS BRIGHT CHROMATE.
 CAM RIVET AND SPRING:
 302 STAINLESS STEEL, PASSIVATED
 ANCHOR PLATE RIVET:
 300 SERIES STAINLESS STEEL, PASSIVATED

ASSEMBLY PART NUMBER K2-3001-89:

ANCHOR PLATE, WING, HOUSING, LOWER CAM:
 1020 STEEL, BLACK POWDER COATING.
 UPPER CAM:
 1008 STEEL, BLACK POWDER COATING.
 SLIDE:
 1055 HARDENED STEEL, BLACK POWDER COATING.
 CAM RIVET AND SPRING:
 302 STAINLESS STEEL, BLACK POWDER COATING.
 ANCHOR PLATE RIVET:
 300 SERIES STAINLESS STEEL, PASSIVATED

ASSEMBLY PART NUMBER K2-3001-51:

ANCHOR PLATE, WING, HOUSING, LOWER CAM, SLIDE:
 304 STAINLESS STEEL, PASSIVATED.
 UPPER CAM:
 316 STAINLESS STEEL, PASSIVATED.
 ANCHOR PLATE RIVET:
 300 SERIES STAINLESS STEEL, PASSIVATED.
 CAM RIVET AND SPRING:
 302 STAINLESS STEEL, PASSIVATED.

REV	DATE	BRN#/CHG#	DESCRIPTION
F	25APR2003	ISOR/AJH/PRN	P2003-0157

