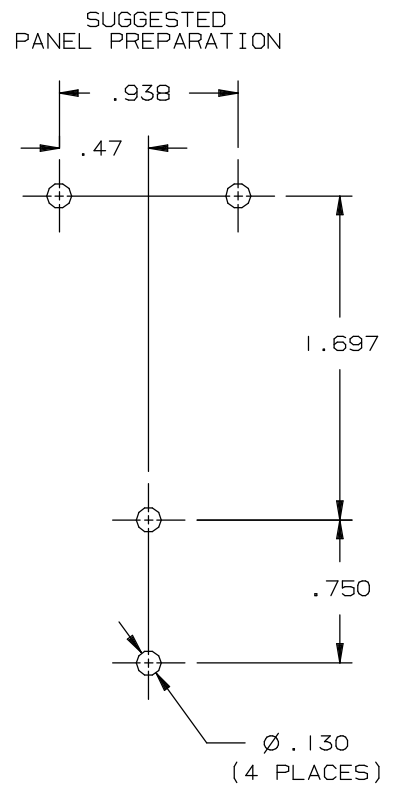
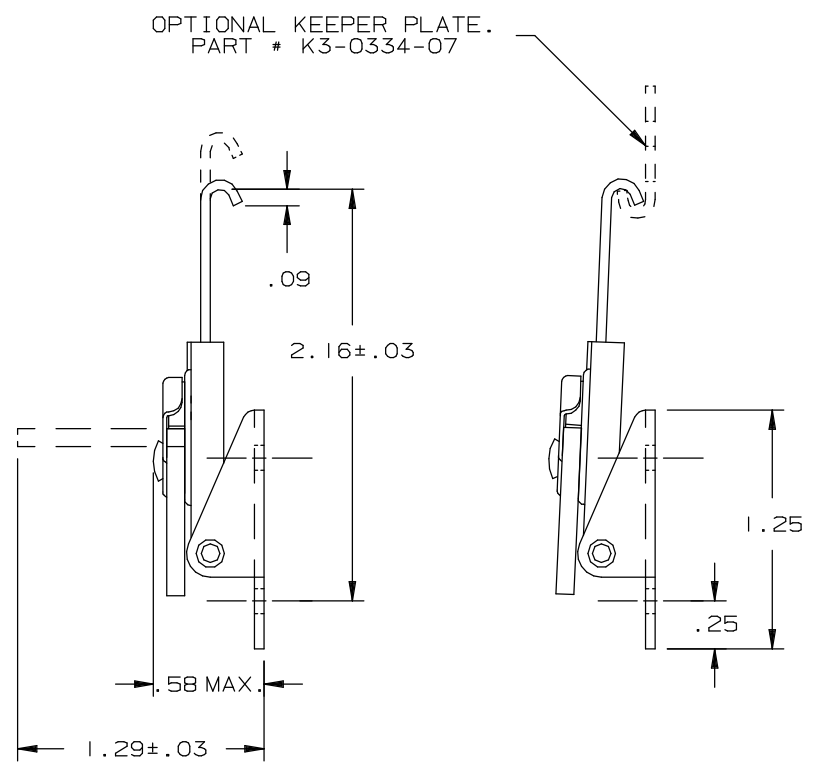
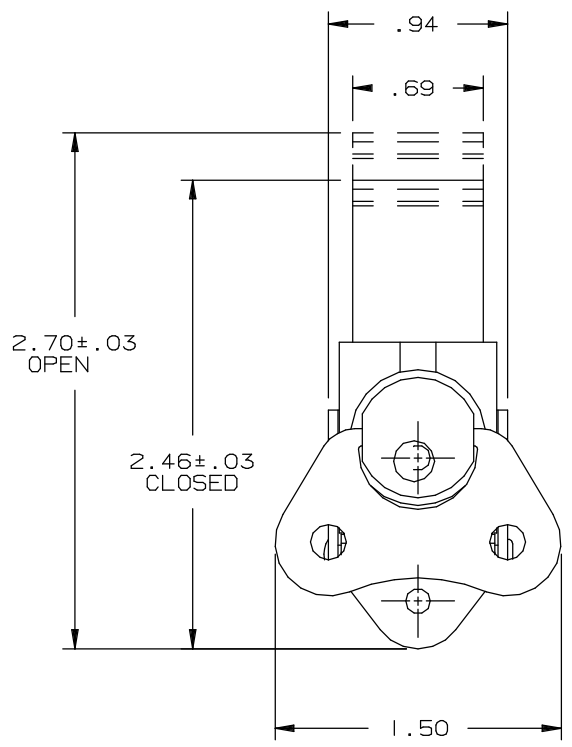


3 LINK LOCK
RIVETED - LONG SLIDE

DATE	DRAWN	CHK'D	SCALE	DRAWING NUMBER
7 JUN 92	PEK		1:1	J-K3-2347-07

REV.	DATE	BY/CHK'D	REVISIONS



MATERIAL & FINISH:
 ANCHOR PLATE, HOUSING, WING, UPPER CAM, LOWER CAM, AND ANCHOR PLATE RIVET ARE CARBON STEEL; ZINC PLATE, BRIGHT CHROMATE DIP
 SLIDE IS HARDENED ALLOY STEEL; ZINC PLATE, BRIGHT CHROMATE DIP
 CAP AND CAM RIVET ARE STAINLESS STEEL