

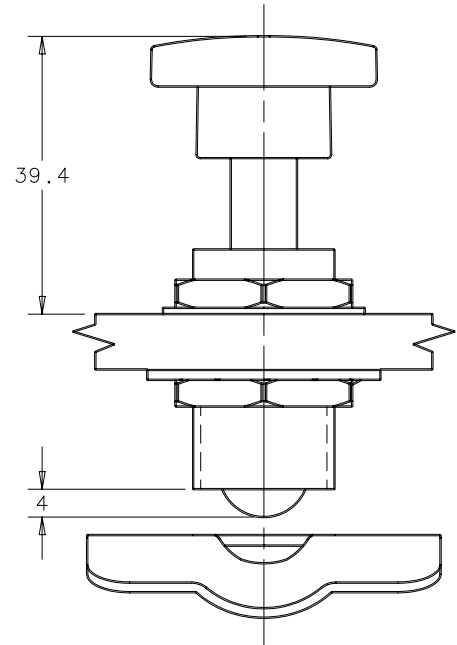
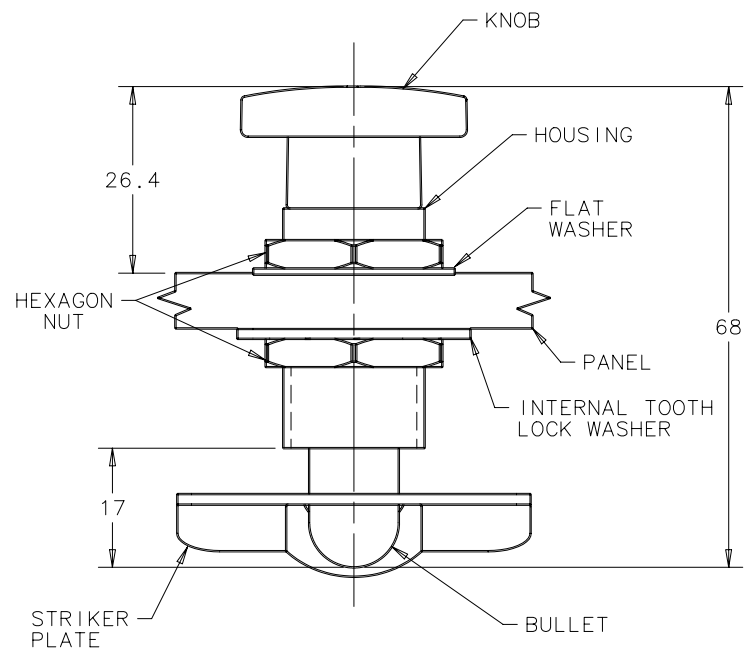
REV	DATE	DRAWN/CHKD	DESCRIPTION	ITEM	PART NUMBER	MATERIAL	FINISH
A	06JUL2004	LCR/MDY	PRN: P2004-0722	ASSEMBLY	MT-99-12	-	-
				KNOB	-	GLASS FILLED POLYPROPYLENE & BRASS	BLACK
				HOUSING	-	BRASS	NICKEL PLATED
				HEX NUT	-	BRASS	NICKEL PLATED
				BULLET	-	STAINLESS STEEL	PASSIVATED
				SPRING	-	STAINLESS STEEL	PASSIVATED
				FLAT WASHER	-	300 SERIES STAINLESS STEEL	PASSIVATED
				LOCK WASHER	-	300 SERIES STAINLESS STEEL	PASSIVATED
				STRIKER PLATE	-	300 SERIES STAINLESS STEEL	ELECTROPOLISHED

**MILLIMETERS**

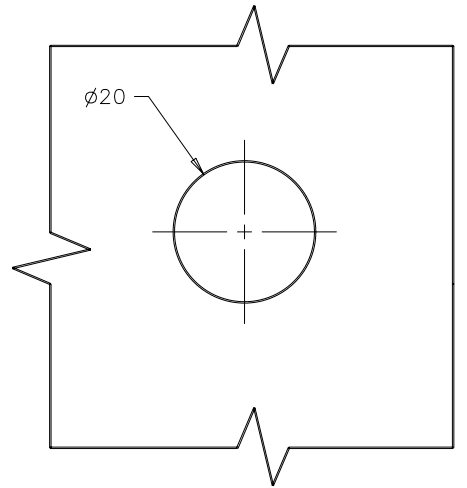
ALL DIMENSIONS WITHOUT TOLERANCES ARE FOR REFERENCE ONLY




THIRD ANGLE PROJECTION      A4 PAPER SIZE



### PANEL PREPARATION



PANEL THICKNESS:  
3 MIN  
19 MAX