

PART NUMBER: AC-15-1Y1-11-WWWW

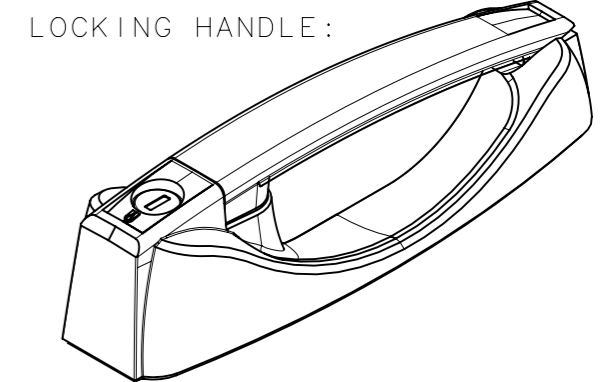
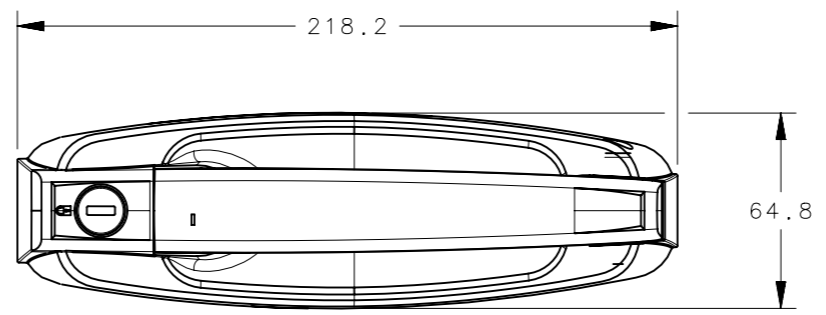
Y = LOCKING OPTION:

- 0 - NON-LOCKING
- 1 - REVERSIBLE KEY (R001), NO KEYS INCLUDED
- 2 - REVERSIBLE KEY (R001), 2 KEYS INCLUDED
- 3 - REVERSIBLE KEY (MULTIPLE KEYCODES), 2 KEYS INCLUDED
- 4 - STANDARD KEY (CH751), NO KEYS INCLUDED
- 5 - STANDARD KEY (CH751), 2 KEYS INCLUDED
- 6 - STANDARD KEY (MULTIPLE KEYCODES), 2 KEYS INCLUDED
- 7 - REVERSIBLE KEY (14603), 2 KEYS INCLUDED
- 9 - NO LOCKPLUG INSTALLED

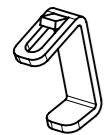
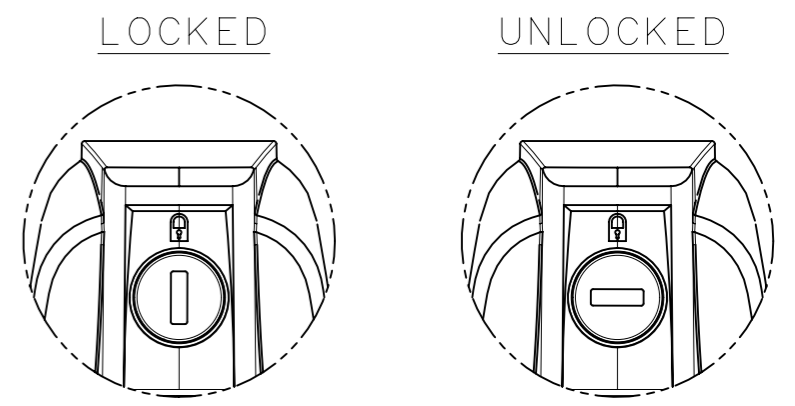
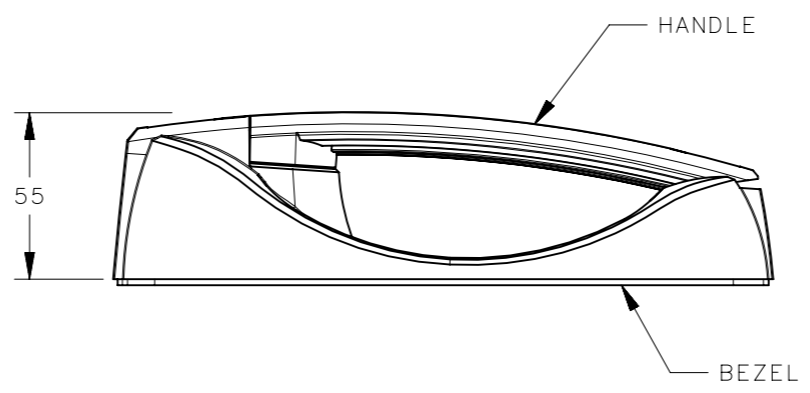
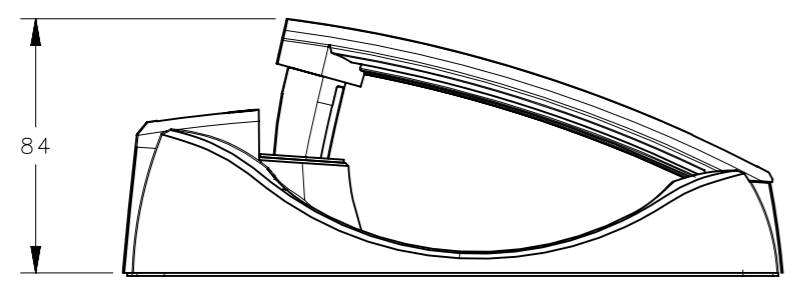
WWW = KEY CODE OPTION:

- KD10 - KEYED DIFFERENTLY, 10 CODES (ONLY USED IF Y= 3 OR 6)
- MK10 - MASTER KEYED, KEYED DIFFERENTLY, 10 CODES (ONLY USED IF Y= 6)

REVISION HISTORY			
REV	DATE	BY	DESCRIPTION
C	06DEC2017	RKS/VK	PRN: P2017-2986

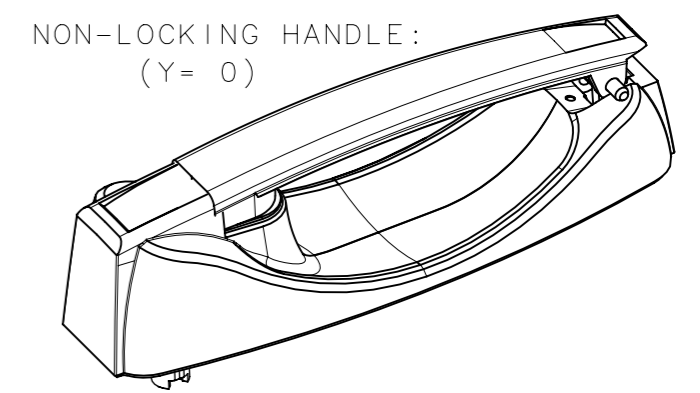
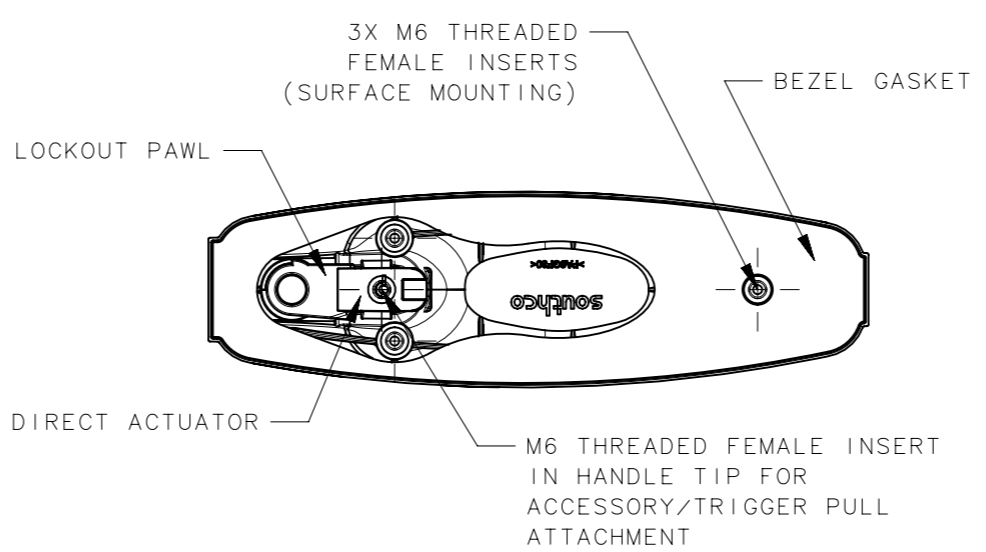
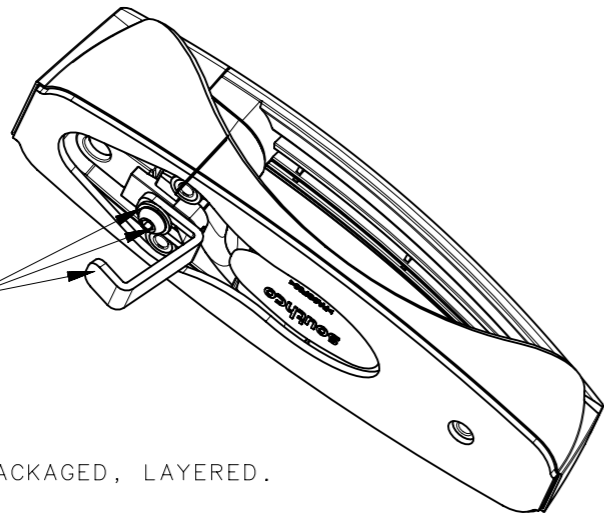


SCALE 2:5



TRIGGER PULL SOLD SEPARATELY. SEE DRAWING J-R4-0-51292 FOR MORE DETAIL.

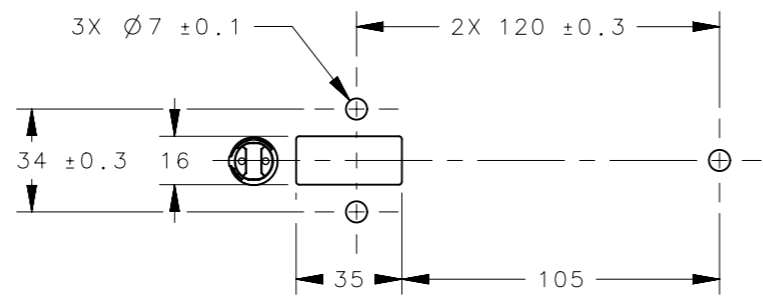
M6 SCREW/WASHER AND TRIGGER PULL NOT INCLUDED



NOTES:

- A. ASSEMBLIES SHIPPED TRAY PACKAGED, LAYERED.
- B. MATERIAL AND FINISH:
 - BEZEL, HANDLE, DIRECT ACTUATOR TIP AND LOCKOUT PAWL: NYLON, BLACK
 - THREADED INSERTS: BRASS, NATURAL
 - ALL PINS: STAINLESS STEEL, NATURAL
 - ALL SPRINGS: STAINLESS STEEL, NATURAL
 - LOCKPLUG SEAL: TPE, BLACK
 - LOCKPLUG ADAPTER: ZINC DIE CAST
 - ALL GASKETS: CLOSED CELL FOAM, BLACK
- C. INSTALLATION TORQUE OF MOUNTING SCREWS NOT TO EXCEED 7N-m [62in-lbs].
- D. RECOMMENDED MOUNTING SCREW LENGTH = PANEL THICKNESS + 10mm
- E. FOR WWW= MK10, MASTER KEY PART NUMBER: PK-24-01

PANEL PREPARATION



THIRD ANGLE PROJECTION		 CONNECT • CREATE • INNOVATE	
MILLIMETERS [IN]			
TOLERANCES UNLESS OTHERWISE NOTED		DESCRIPTION	
ALL DIMENSIONS WITHOUT TOLERANCES ARE FOR REFERENCE ONLY.		RAISED ACTUATOR HANDLE SURFACE MOUNT, DIRECT	
SIZE	SYSTEM	DWG NO.	
A3	NX	J-AC-15	
PER ASME Y14.5M-1994		DRAWN BY	SCALE
		ASM	2:5
		DATE	SHEET
		03OCT2013	1 OF 1