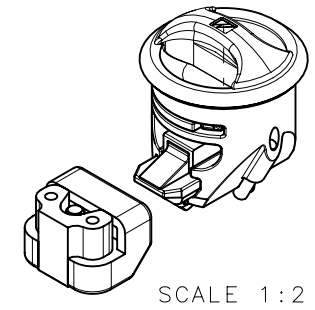
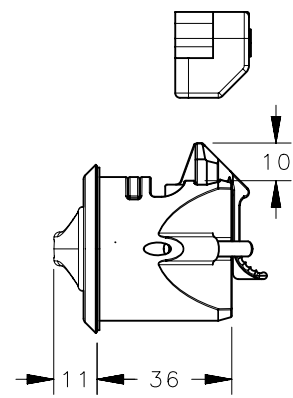
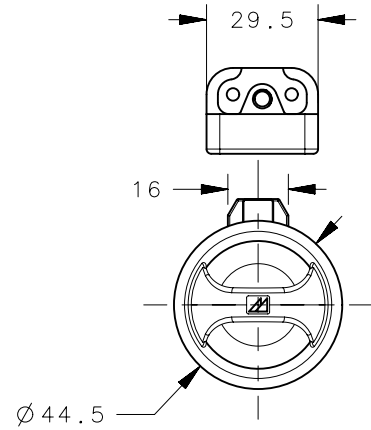


MP-01-103-511	NOVIBRA TYPE 1 BCC
MP-01-103-512	NOVIBRA TYPE 1 BCS
MP-01-103-513	NOVIBRA TYPE 1 BCN
MP-01-103-514	NOVIBRA TYPE 1 BCR
MP-01-103-515	NOVIBRA TYPE 1 BCB
MP-01-103-517	NOVIBRA TYPE 1 BCW
MP-01-103-521	NOVIBRA TYPE 1 BSC
MP-01-103-522	NOVIBRA TYPE 1 BSS
MP-01-103-525	NOVIBRA TYPE 1 BSB
MP-01-103-527	NOVIBRA TYPE 1 BSW
MP-01-103-541	NOVIBRA TYPE 1 BRC
MP-01-103-543	NOVIBRA TYPE 1 BRN
MP-01-103-544	NOVIBRA TYPE 1 BRR
MP-01-103-545	NOVIBRA TYPE 1 BRB
MP-01-103-547	NOVIBRA TYPE 1 BRW
MP-01-103-551	NOVIBRA TYPE 1 BBC
MP-01-103-552	NOVIBRA TYPE 1 BBS
MP-01-103-554	NOVIBRA TYPE 1 BBR
MP-01-103-555	NOVIBRA TYPE 1 BBB
MP-01-103-557	NOVIBRA TYPE 1 BBW
MP-01-103-571	NOVIBRA TYPE 1 BWC
MP-01-103-572	NOVIBRA TYPE 1 BWS
MP-01-103-577	NOVIBRA TYPE 1 BWW
MP-01-103-711	NOVIBRA TYPE 1 WCC
MP-01-103-712	NOVIBRA TYPE 1 WCS
MP-01-103-714	NOVIBRA TYPE 1 WCR
MP-01-103-715	NOVIBRA TYPE 1 WCB
MP-01-103-717	NOVIBRA TYPE 1 WCW
MP-01-103-722	NOVIBRA TYPE 1 WSS
MP-01-103-741	NOVIBRA TYPE 1 WRC
MP-01-103-744	NOVIBRA TYPE 1 WRR
MP-01-103-747	NOVIBRA TYPE 1 WRW
MP-01-103-751	NOVIBRA TYPE 1 WBC
MP-01-103-752	NOVIBRA TYPE 1 WBS
MP-01-103-771	NOVIBRA TYPE 1 WWC
MP-01-103-775	NOVIBRA TYPE 1 WWB
MP-01-103-755	NOVIBRA TYPE 1 WBB
MP-01-103-777	NOVIBRA TYPE 1 WWW

REVISION HISTORY			
REV	DATE	BY	DESCRIPTION
B	10AUG2018	PJF/CMS	PRN:P2018-1706



SCALE 1:2

NOVIBRA TYPE 1 BCS	CODE	COLOR
↑↑↑	W	WHITE
↑	C	CHROME
↑	S	SATIN
↑	B	BLACK
↑	R	DMB BRASS
↑	N	BROWN

↑↑↑ HANDLE
 ↑ CUP
 ↑ HOUSING

THIRD ANGLE PROJECTION						southco [®] CONNECT • CREATE • INNOVATE			
MILLIMETERS [IN]									
TOLERANCES UNLESS OTHERWISE NOTED		DESCRIPTION				NOVIBRA TYPE 1			
UP TO 0.5 ±0.1									
OVER 0.5 UP TO 6 ±0.2		SIZE		SYSTEM		DWG NO.			
OVER 6 UP TO 30 ±0.4		A4		NX		J-MP-01-103			
OVER 30 ±0.6		DRAWN BY		DATE		SCALE		SHEET	
ANGLES ±5°		CMS/JW		12JUN2017		1:2		1 OF 1	
PER ASME Y14.5M-1994									
<small> PROPRIETARY ITEM EXCEPT FOR USES EXPRESSLY GRANTED IN WRITING, INFORMATION DISCLOSED HEREON IS CONFIDENTIAL AND ALL RIGHTS, PATENT AND OTHERWISE, ARE RESERVED BY SOUTHCO, INC. </small>									