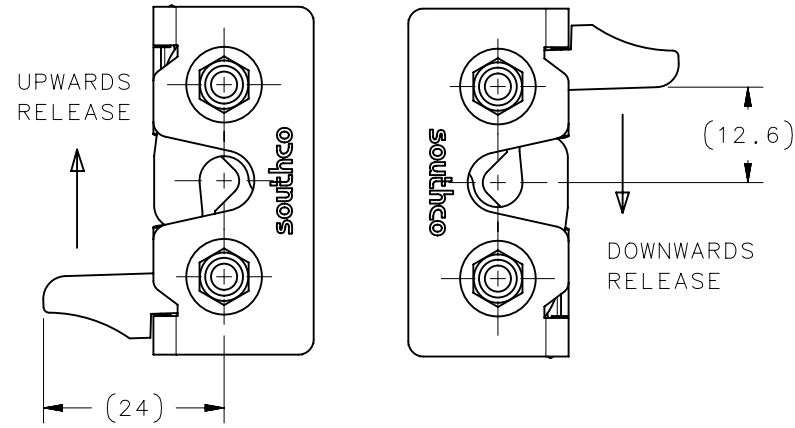


R4-05-SI-LOB-10

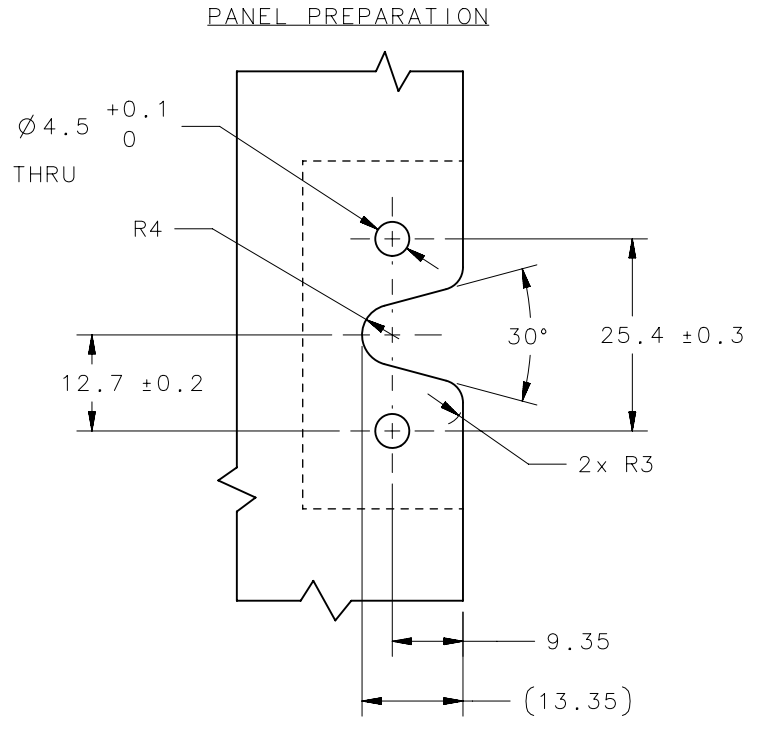
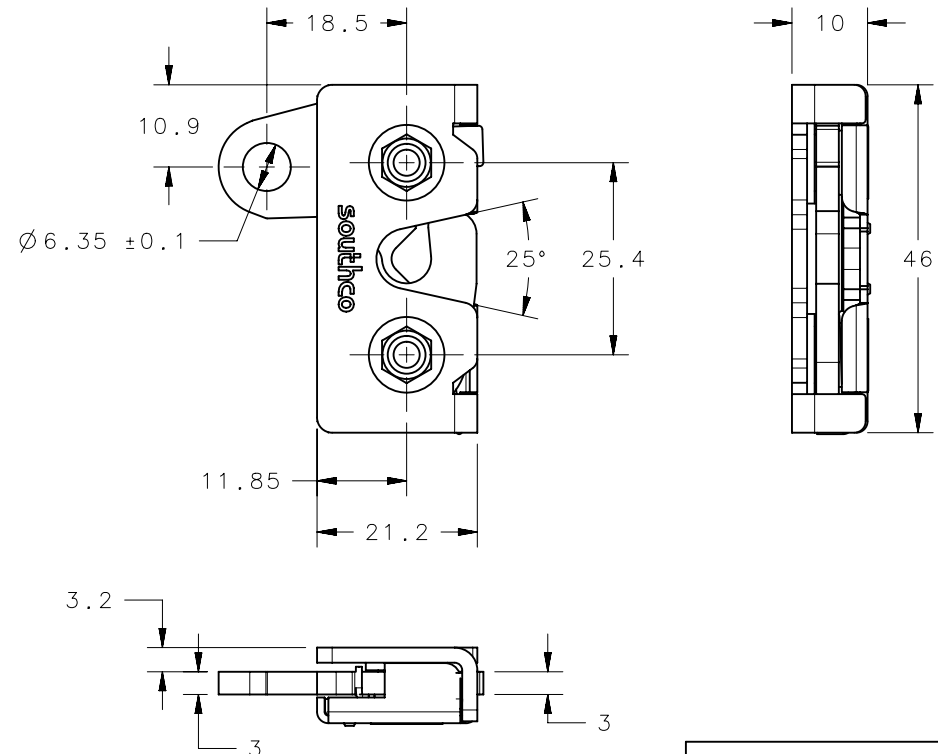
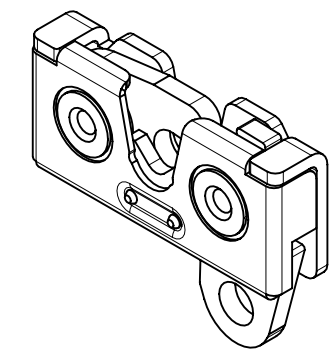
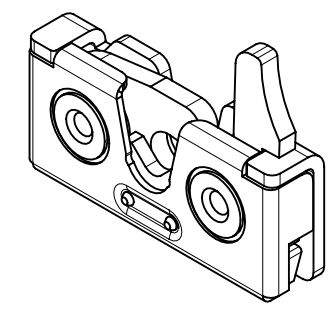
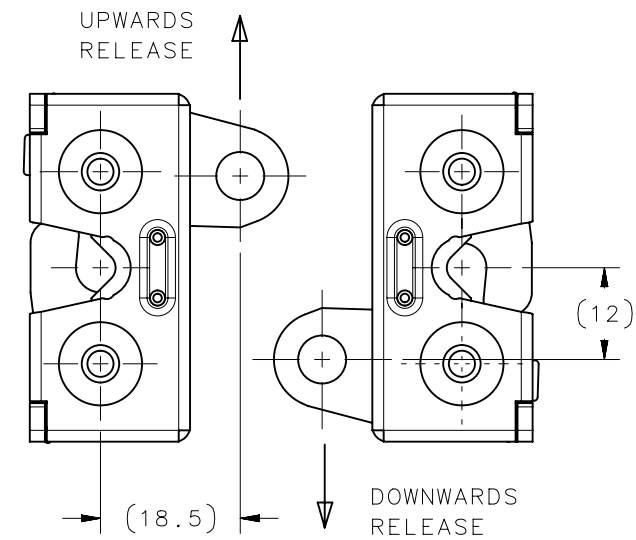
REVISION HISTORY			
REV	DATE	BY	DESCRIPTION
B	18OCT2019	VPS/CMS	PRN: P2019-2518

- | | | | |
|--|--|---|--|
| S LATCHING
2 SINGLE STAGE
4 TWO STAGE | I MOUNTING OPTION
0 4.5MM THROUGH HOLE
1 8-32 UNC THREAD
2 M4x0.7 THREAD | L LATCH SERIES
4 HAND ACTUATED
5 BOTTOM ACTUATED | B LATCHING
1 STANDARD
5 INTEGRATED BUMPER |
|--|--|---|--|

- HAND ACTUATED**
4 MOUNTING OPTIONS
- UPWARDS RELEASE, RIGHT HAND
 - DOWNWARDS RELEASE, RIGHT HAND
 - UPWARDS RELEASE, LEFT HAND
 - DOWNWARDS RELEASE, LEFT HAND



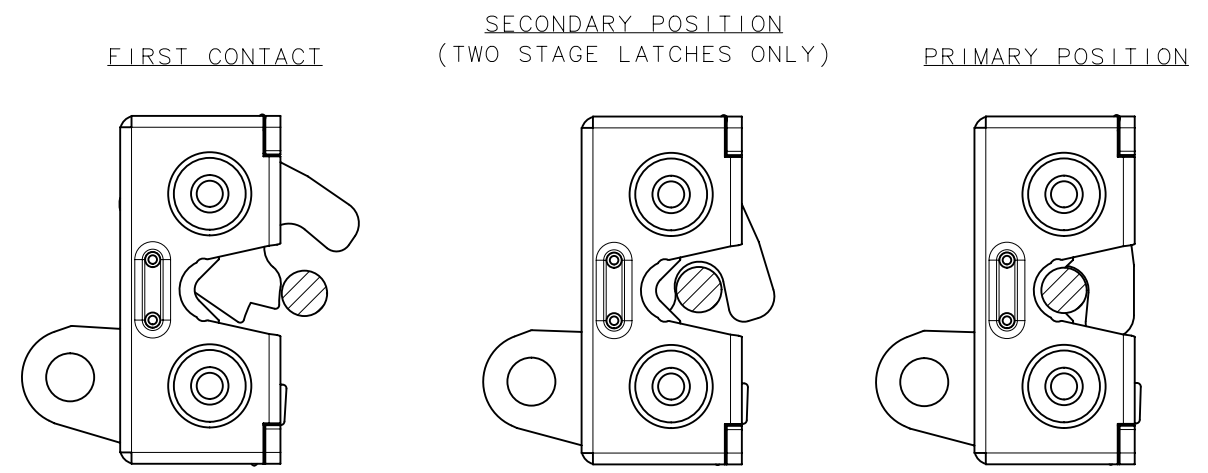
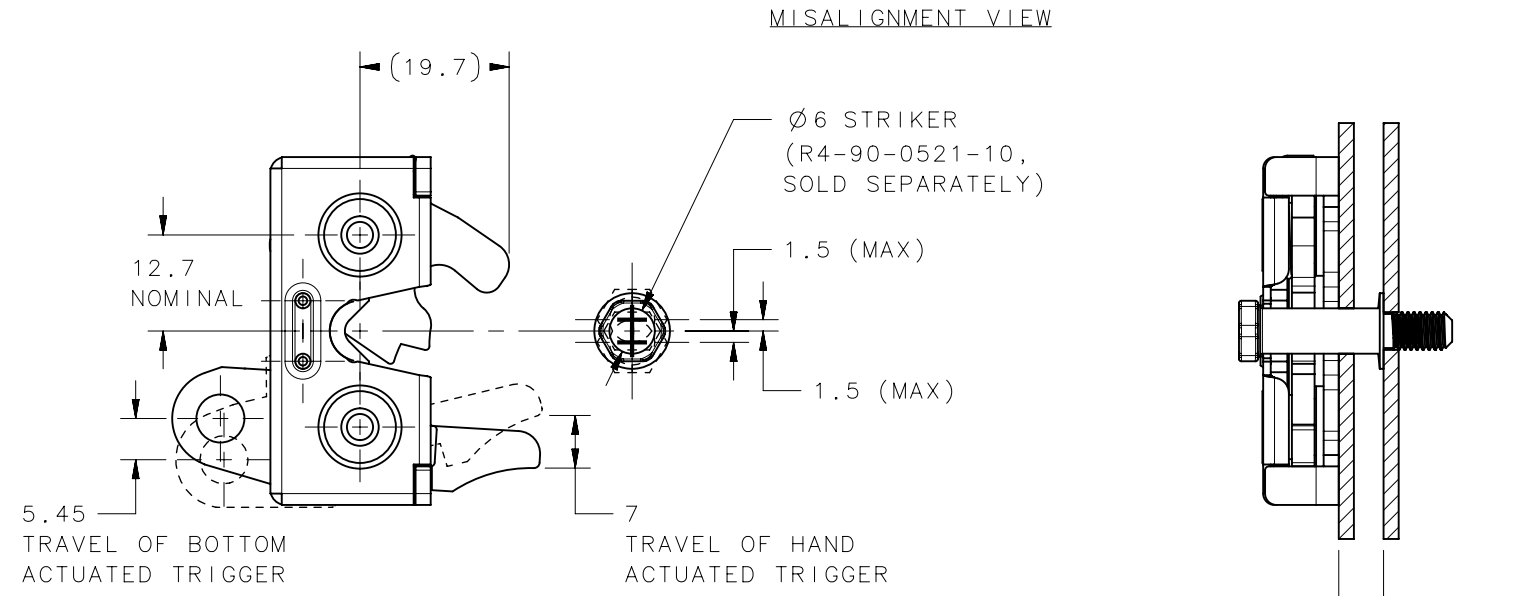
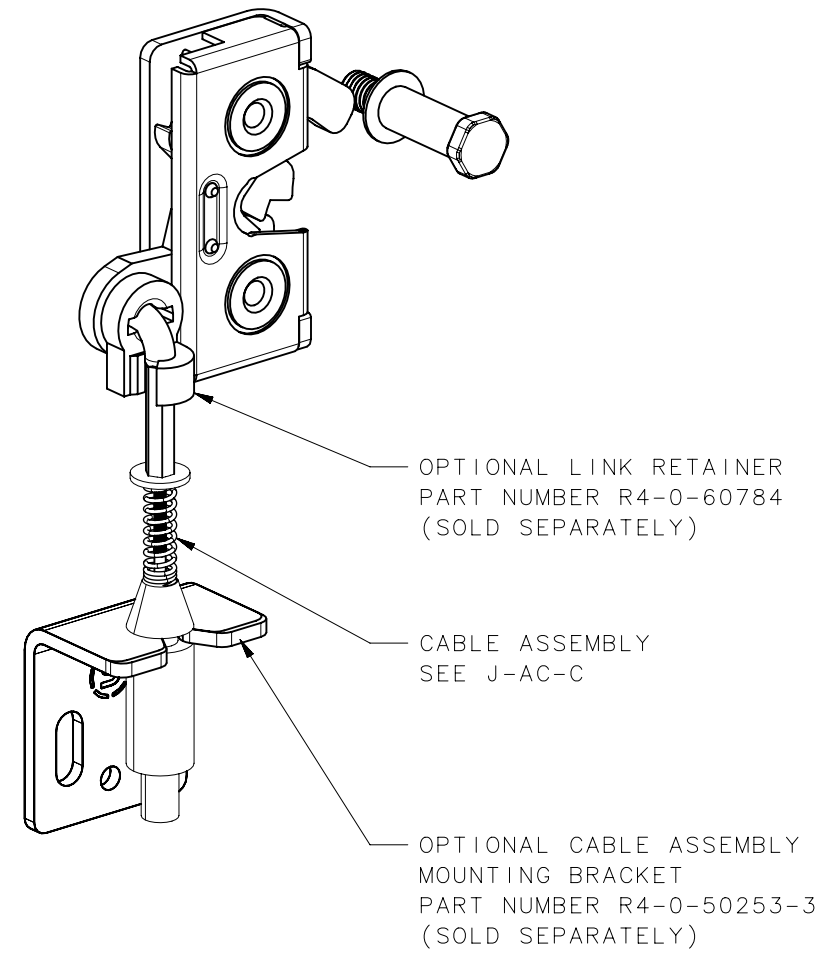
- BOTTOM ACTUATED**
4 MOUNTING OPTIONS
- UPWARDS RELEASE, RIGHT HAND
 - DOWNWARDS RELEASE, RIGHT HAND
 - UPWARDS RELEASE, LEFT HAND
 - DOWNWARDS RELEASE, LEFT HAND



- NOTES
- 1, MATERIALS AND FINISH, STEEL;
HOUSINGS: STEEL, ZINC PLATED, BRIGHT CHROMATE
PAWL AND TRIGGER: HARDENED STEEL
SPRING: STAINLESS STEEL, PASSIVATED
BUMPER: EPDM
 - 2, SCREW MOUNTING TIGHTENING TORQUE: MAXIMUM 4Nm
 - 3, SEE TD-R4-05-J FOR TEST DATA

THIRD ANGLE PROJECTION		 CONNECT · CREATE · INNOVATE	
MILLIMETERS [IN]			
TOLERANCES UNLESS OTHERWISE NOTED		DESCRIPTION R4-05 ROTARY LATCH	
SURFACE AREA 8541.17mm ²		SIZE SYSTEM A3 NX	
VOLUME 6017.57mm ³		DWG NO. J-R4-05-10	
PROPRIETARY ITEM EXCEPT FOR USES EXPRESSLY GRANTED IN WRITING, INFORMATION DISCLOSED HEREON IS CONFIDENTIAL AND ALL RIGHTS, PATENT AND OTHERWISE, ARE RESERVED BY SOUTHCO, INC.		DRAWN BY JEM	
PER ASME Y14.5M-1994		DATE 31OCT2016	
		SCALE 1:1	
		SHEET 1 OF 2	

REVISION HISTORY			
REV	DATE	BY	DESCRIPTION
B	18OCT2019	VPS/CMS	PRN: P2019-2518



NOTES:

A. THE TOLERANCE BETWEEN THE LATCH AND STRIKER BOLT ASSUMES A NON-RIGID DOOR INSTALLATION THAT WILL ALLOW THE DOOR TO MOVE INTO THE NOMINAL POSITION DURING LATCHING. RIGID DOORS MUST HAVE THE STRIKER INSTALLED PER THE PANEL PREPARATION RECOMMENDATION.

B. THE MISALIGNMENT VIEW ASSUMES THE LATCH IS CONNECTED TO A PERFECTLY RIGID DOOR AND HINGE; THEREFORE, THERE IS NO DOOR AND/OR HINGE SLACK ASSOCIATED WITH THESE DIMENSIONS. THE MISALIGNMENT VIEW DOES NOT TAKE FLEXING OF THE STRIKER BOLT INTO ACCOUNT.

THIRD ANGLE PROJECTION				southco [®] CONNECT • CREATE • INNOVATE	
MILLIMETERS [IN]					
TOLERANCES UNLESS OTHERWISE NOTED		DESCRIPTION R4-05 ROTARY LATCH			
SURFACE AREA -		ALL DIMENSIONS WITHOUT TOLERANCES ARE FOR REFERENCE ONLY.		SIZE A3	SYSTEM NX
VOLUME -		PER ASME Y14.5M-1994		DWG NO. J-R4-05-10	DATE 31OCT2016
PROPRIETARY ITEM		DRAWN BY JEM		SCALE 1:1	SHEET 2 OF 2
EXCEPT FOR USES EXPRESSLY GRANTED IN WRITING, INFORMATION DISCLOSED HEREON IS CONFIDENTIAL AND ALL RIGHTS, PATENT AND OTHERWISE, ARE RESERVED BY SOUTHCO, INC.					