

6

5

4

3

2

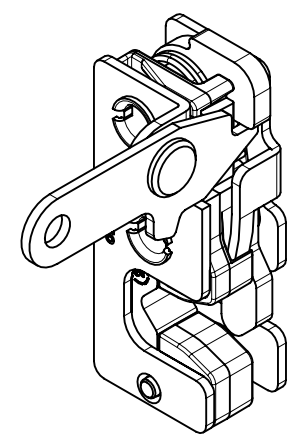
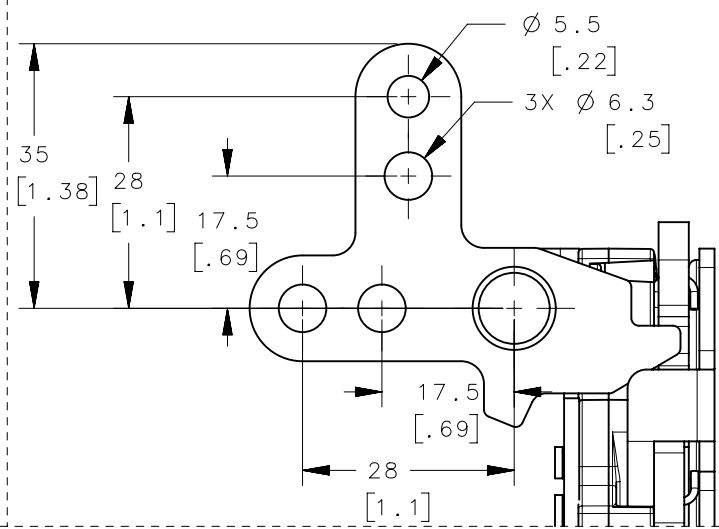
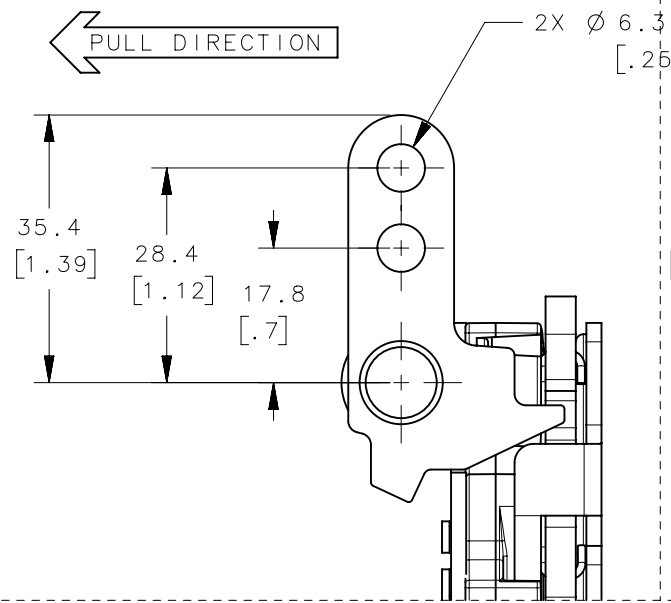
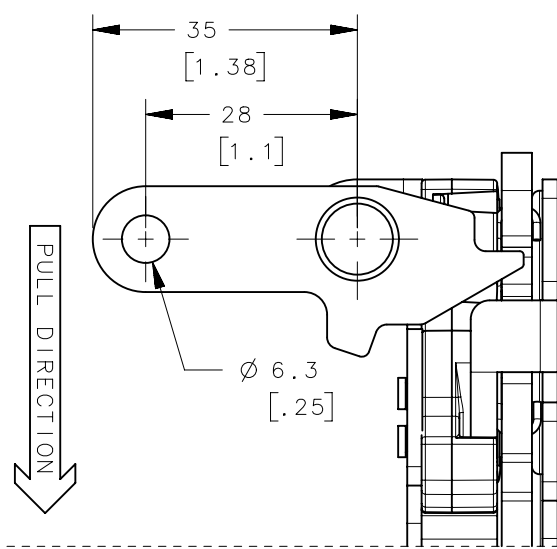
1

PERPENDICULAR

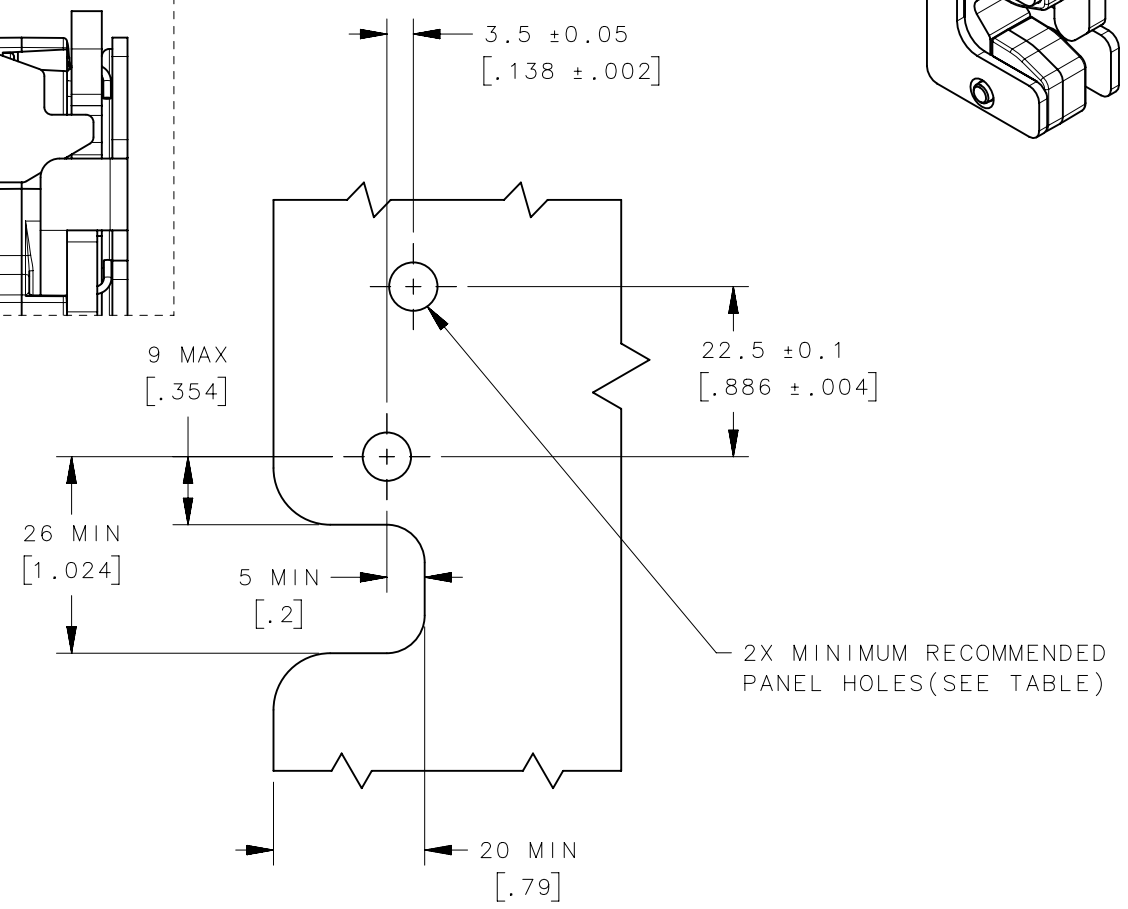
IN-LINE

TWO POINT

REVISION HISTORY			
REV	DATE	BY	DESCRIPTION
B	02MAR2018	DKM/DMS	PRN: P2018-0542

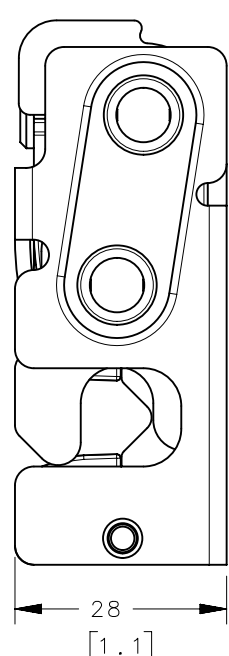
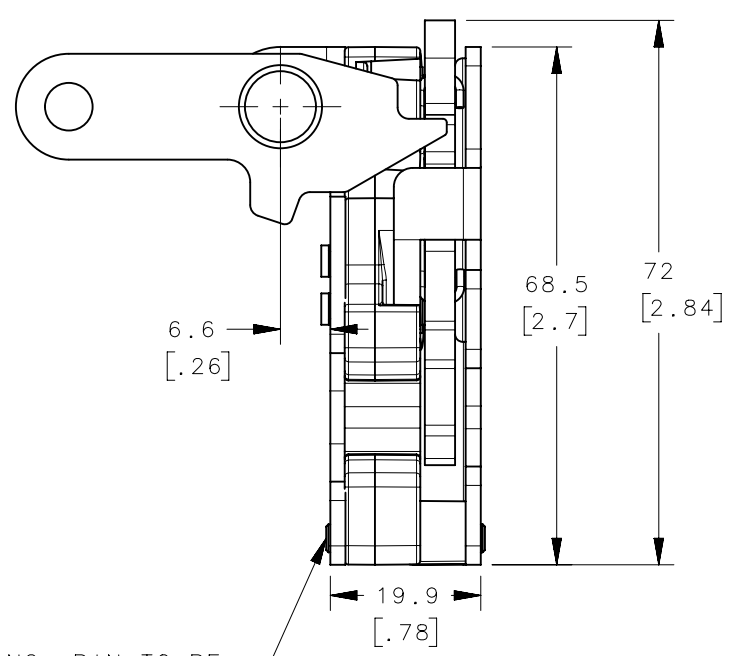
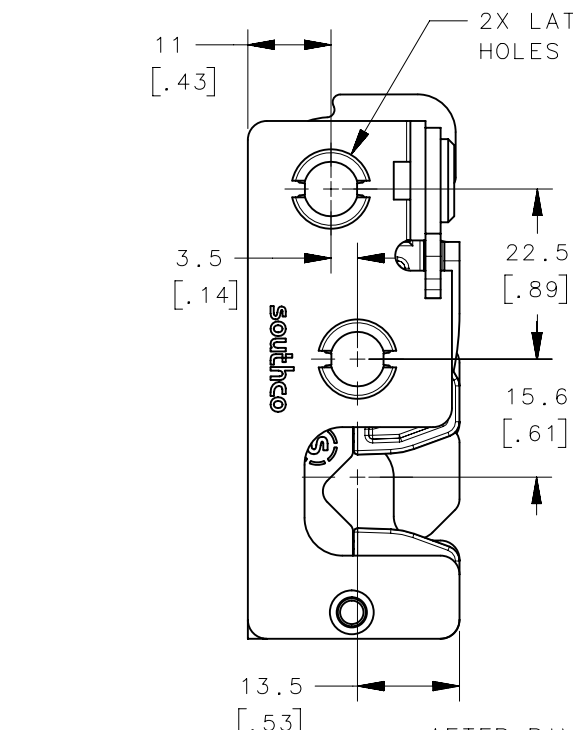


PANEL PREPARATION



NOTES:

- A. MATERIAL AND FINISH:
 - HOUSING, LEVER, RIVET AND INTERNAL COMPONENTS: STEEL, ZINC PLATED, BRIGHT CHROMATE
 - PAWL AND TRIGGER: HARDENED STEEL, ZINC PLATED, BRIGHT CHROMATE.
 - SPRING: STAINLESS STEEL, PASSIVATED
- B. THESE DIMENSIONS REQUIRED FOR MOUNTING STRIKER BOLT.



AFTER RIVETING, PIN TO BE RIVETED FLUSH WITH FRAMES

ASSEMBLY PART No. R4-10-□□-□□05-10

STAGE & ACTUATION

- 2 - SINGLE STAGE, LEFT HAND
- 4 - TWO-STAGE, LEFT HAND

MOUNTING STYLE

- 0 - Ø7.2 (.283) THRU
- 1 - 1/4-20 THREAD
- 2 - M6x1 THREAD

LEVER TYPE

- 1 - PERPENDICULAR
- 2 - IN-LINE
- 3 - TWO POINT

THIRD ANGLE PROJECTION	
MILLIMETERS [IN]	
TOLERANCES UNLESS OTHERWISE NOTED	
ALL DIMENSIONS WITHOUT TOLERANCES ARE FOR REFERENCE ONLY.	
PER ASME Y14.5M-1994	

southco CONNECT • CREATE • INNOVATE			
DESCRIPTION R4 MINI ROTARY LATCH LEFT HAND - BSR INSERT			
SIZE B	SYSTEM NX	DWG NO. J-R4-10-5AL	
DRAWN BY CMG/DGJ	DATE 08MAY2014	SCALE 1:1	SHEET 1 OF 3

6

5

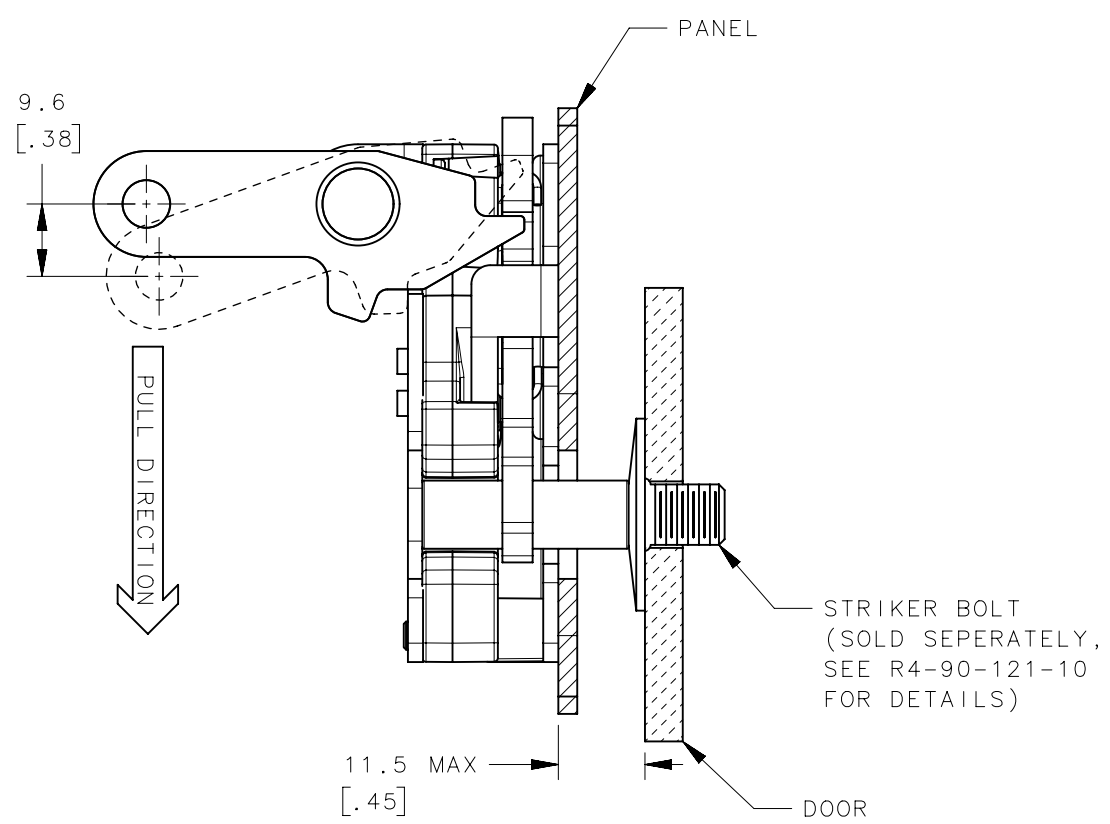
4

3

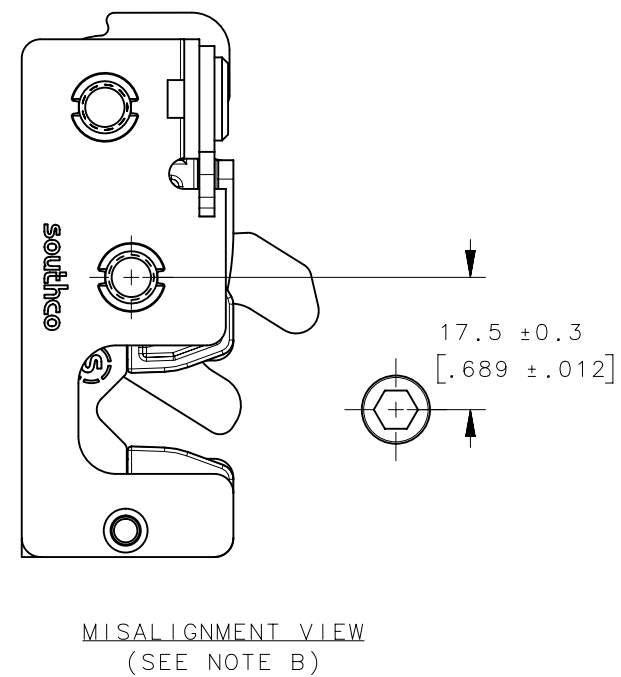
2

1

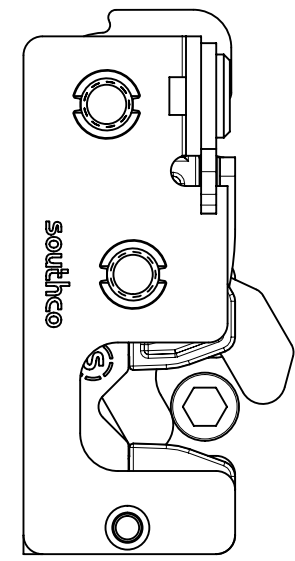
REVISION HISTORY			
REV	DATE	BY	DESCRIPTION
B	02MAR2018	DKM/DMS	PRN: P2018-0542



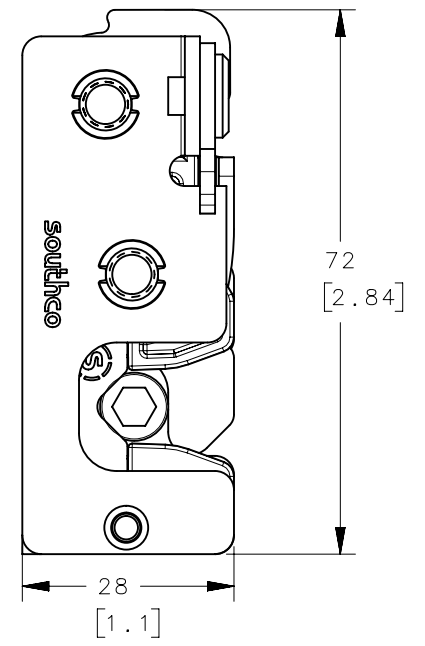
PRIMARY STAGE



SECONDARY STAGE



LATCHED STAGE



NOTES:

- A. THE TOLERANCE BETWEEN THE LATCH AND STRIKER BOLT ASSUMES A NON-RIGID DOOR INSTALLATION THAT WILL ALLOW THE DOOR TO MOVE INTO THE NOMINAL POSITION DURING LATCHING. RIGID DOORS MUST HAVE THE STRIKER INSTALLED PER THE PANEL PREPARATION RECOMMENDATION.
- B. THE MISALIGNMENT VIEW ASSUMES THE LATCH IS CONNECTED TO A PERFECTLY RIGID DOOR AND HINGE; THEREFORE, THERE IS NO DOOR AND/OR HINGE SLACK ASSOCIATED WITH THESE DIMENSIONS. THE MISALIGNMENT VIEW DOES NOT TAKE FLEXING OF THE STRIKER BOLT INTO ACCOUNT.

R4-10-X0-X05-10	Ø 7.2 THRU	Ø 7.2 [.299]
R4-10-X1-X05-10	1/2-20 THREAD	Ø 6.8 [.268]
R4-10-X2-X05-10	M6X1 THREAD	Ø 6.4 [.252]
PART NUMBER	MOUNTING STYLE	MINIMUM PANEL HOLE

THIRD ANGLE PROJECTION			 CONNECT • CREATE • INNOVATE	
TOLERANCES UNLESS OTHERWISE NOTED		DESCRIPTION		
ALL DIMENSIONS WITHOUT TOLERANCES ARE FOR REFERENCE ONLY.		R4 MINI ROTARY LATCH LEFT HAND - BSR INSERT		
PROPRIETARY ITEM <small>EXCEPT FOR USES EXPRESSLY GRANTED IN WRITING, INFORMATION DISCLOSED HEREON IS CONFIDENTIAL AND ALL RIGHTS, PATENT AND OTHERWISE, ARE RESERVED BY SOUTHCO, INC.</small>	SIZE B	SYSTEM NX	DWG NO. J-R4-10-5AL	
PER ASME Y14.5M-1994	DRAWN BY CMG/DGJ	DATE 08MAY2014	SCALE 1:1	SHEET 2 OF 3

6

5

4

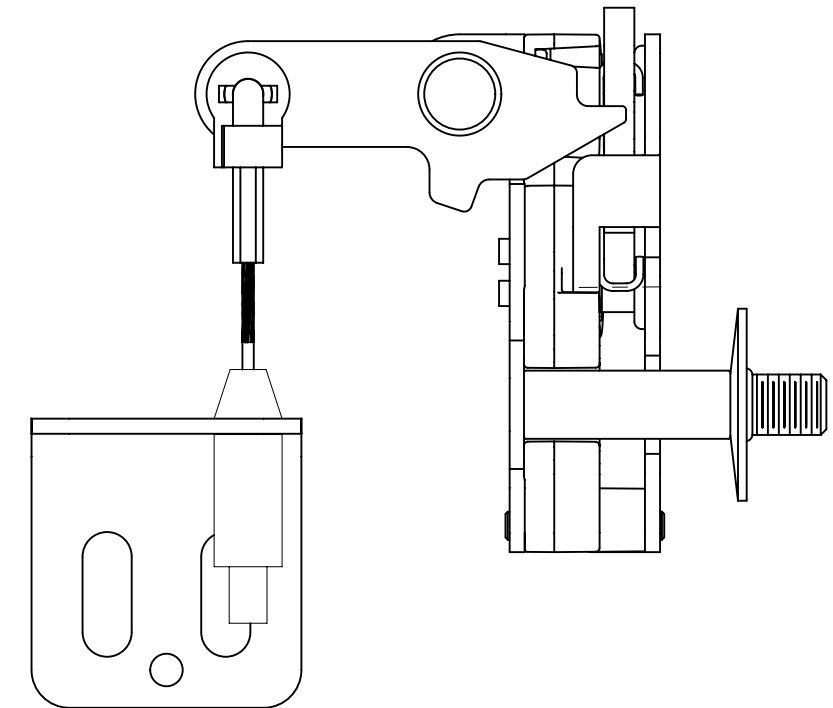
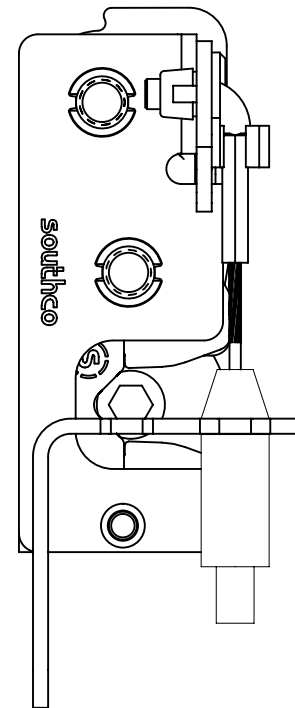
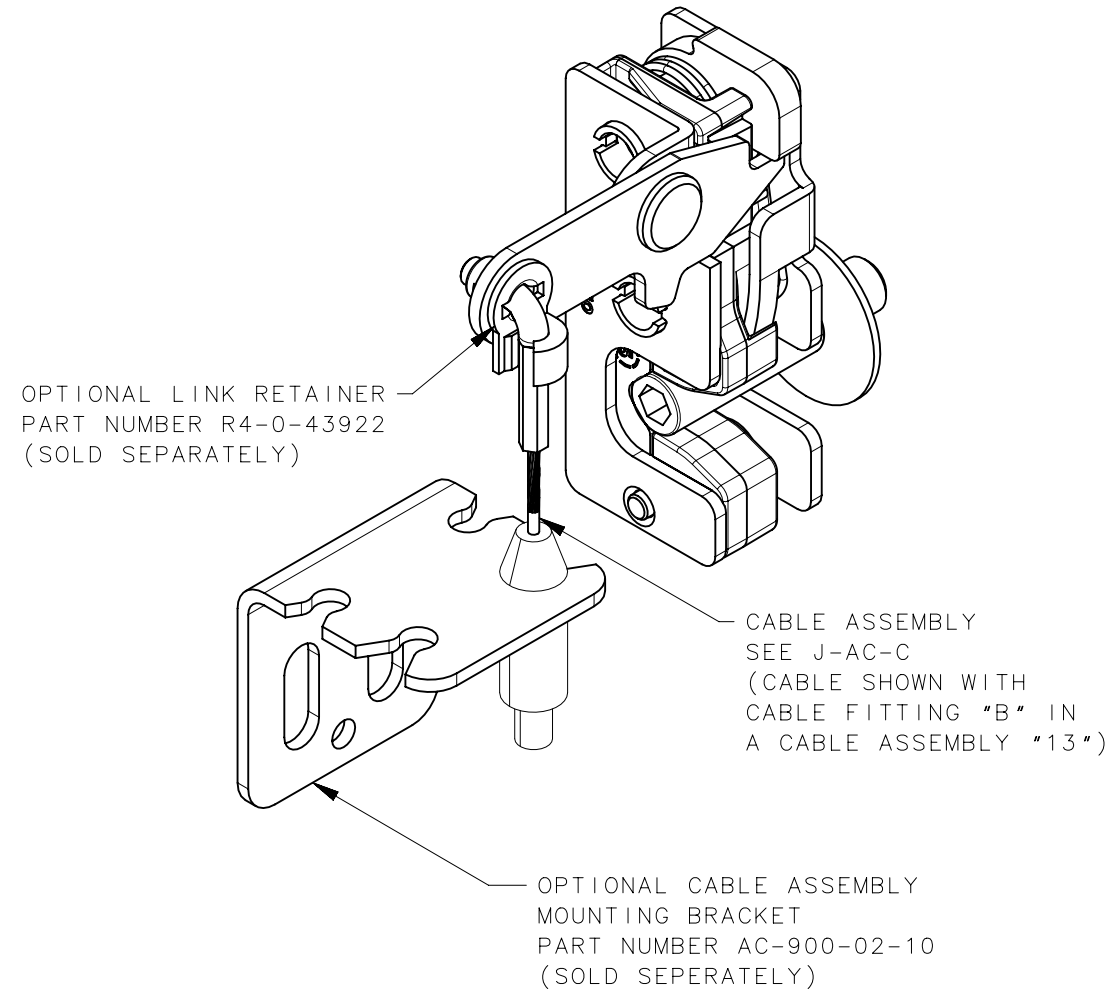
3

2

1

REVISION HISTORY			
REV	DATE	BY	DESCRIPTION
B	02MAR2018	DKM/DMS	PRN: P2018-0542

PERPENDICULAR LEVER OPTION SHOWN



THIRD ANGLE PROJECTION		southco [®] CONNECT • CREATE • INNOVATE		
MILLIMETERS [IN]				
TOLERANCES UNLESS OTHERWISE NOTED		DESCRIPTION R4 MINI ROTARY LATCH LEFT HAND - BSR INSERT		
ALL DIMENSIONS WITHOUT TOLERANCES ARE FOR REFERENCE ONLY.		SIZE B	SYSTEM NX	DWG NO. J-R4-10-5AL
PER ASME Y14.5M-1994		DRAWN BY CMG/DGJ	DATE 08MAY2014	SCALE 1:1
<small>PROPRIETARY ITEM EXCEPT FOR USES EXPRESSLY GRANTED IN WRITING, INFORMATION DISCLOSED HEREON IS CONFIDENTIAL AND ALL RIGHTS, PATENT AND OTHERWISE, ARE RESERVED BY SOUTHCO, INC.</small>		SHEET 3 OF 3		

6

5

4

3

2

1