

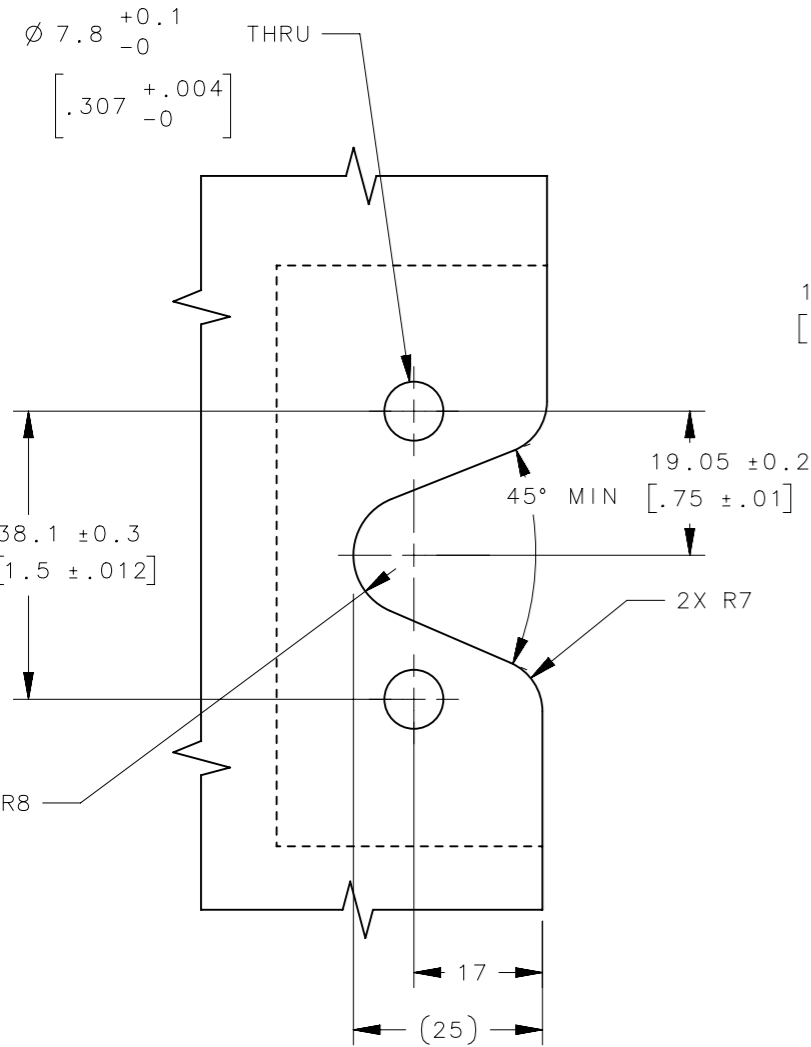
REVISION HISTORY			
REV	DATE	BY	DESCRIPTION
B	07MAY2018	PG/VK	PRN: P2018-1107

NOTES:

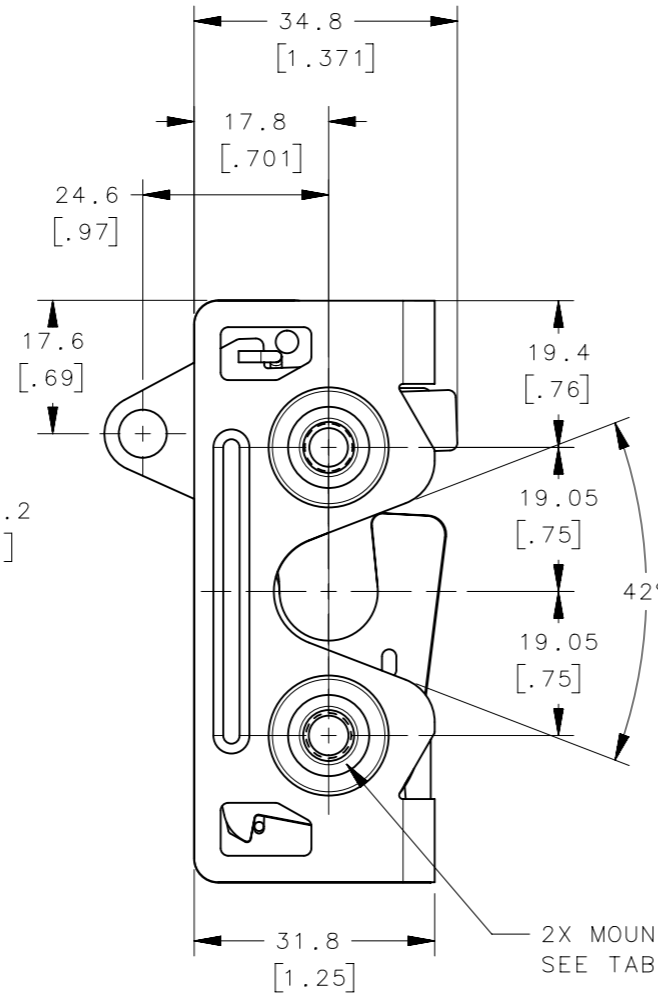
A. MATERIAL AND FINISH:

- HOUSING, LEVER AND INTERNAL COMPONENTS: STEEL, ZINC PLATED, BRIGHT CHROMATE
- PAWL AND TRIGGER: HARDENED STEEL, ZINC PLATED, BRIGHT CHROMATE
- SPRING: STAINLESS STEEL, PASSIVATED

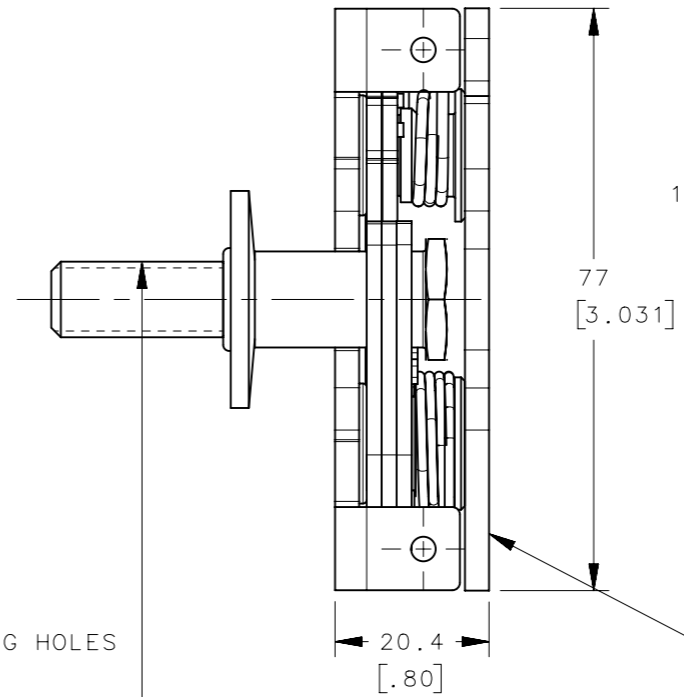
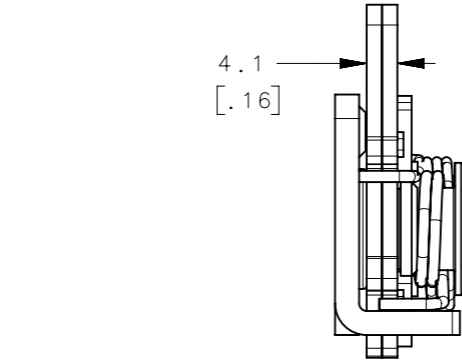
B. THE MISALIGNMENT VIEW ASSUMES THE LATCH IS CONNECTED TO A PERFECTLY RIGID DOOR AND HINGE; THEREFORE, THERE IS NO DOOR AND/OR HINGE SLACK ASSOCIATED WITH THESE DIMENSIONS, THE MISALIGNMENT VIEW DOES NOT TAKE FLEXING OF THE STRIKER BOLT INTO ACCOUNT.



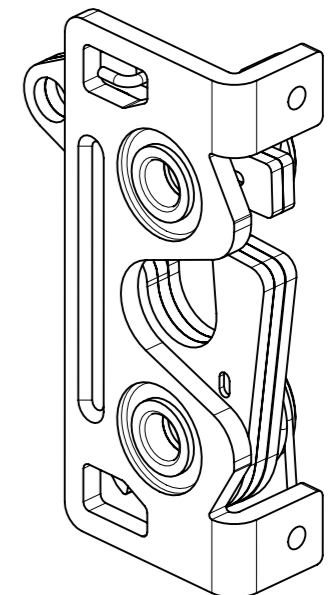
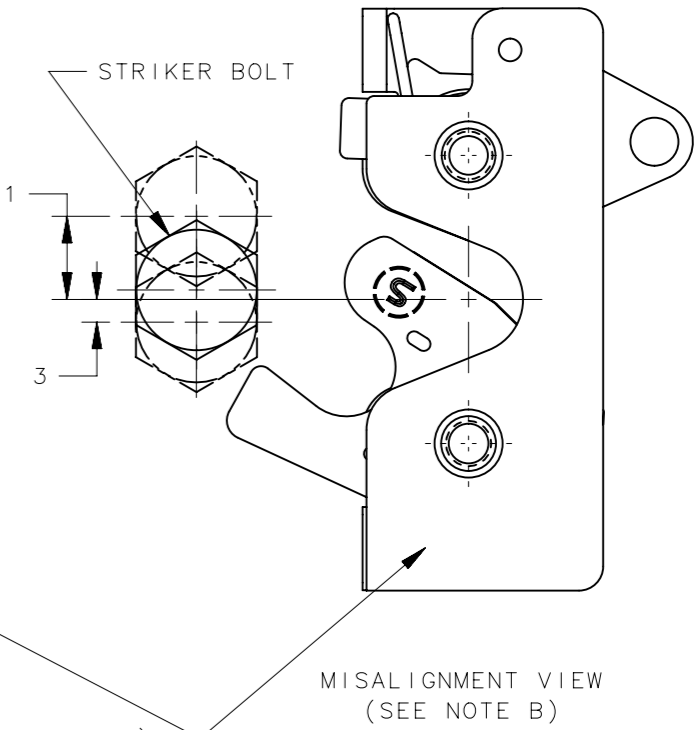
PANEL PREPARATION



STRIKER BOLT ASSEMBLY (SOLD SEPARATELY) SEE J-R4-90-321 FOR DETAILS



OPTIONAL: (SOLD SEPARATELY) SUPPORT PLATE (R4-38-101-10) SEE J-R4-38-101 FOR DETAILS



R4-30-32-501-10	M6 THREAD	SEE NOTE A	SEE NOTE A
R4-30-31-501-10	1/4-20 THREAD	SEE NOTE A	SEE NOTE A
R4-30-30-501-10	$\phi 6.73$ THRU HOLE	SEE NOTE A	SEE NOTE A
PART NUMBER	LATCH MOUNTING HOLE	MATERIAL	FINISH
THIRD ANGLE PROJECTION		 CONNECT • CREATE • INNOVATE	
MILLIMETERS [IN]			
TOLERANCES UNLESS OTHERWISE NOTED		DESCRIPTION	
ALL DIMENSIONS WITHOUT TOLERANCES ARE FOR REFERENCE ONLY.		R4 LATCH ASSEMBLY - BOTTOM PULLBACK RIGHT HAND ACTUATION	
PROPRIETARY ITEM	PER ASME Y14.5M-1994	SIZE A3	SYSTEM NX
EXCEPT FOR USES EXPRESSLY GRANTED IN WRITING, INFORMATION DISCLOSED HEREON IS CONFIDENTIAL AND ALL RIGHTS, PATENT AND OTHERWISE, ARE RESERVED BY SOUTHCO, INC.		DWG NO. J-R4-30-30-501	DATE 18JUN2013
DRAWN BY ACH/RJB		SCALE 1:1	SHEET 1 OF 1