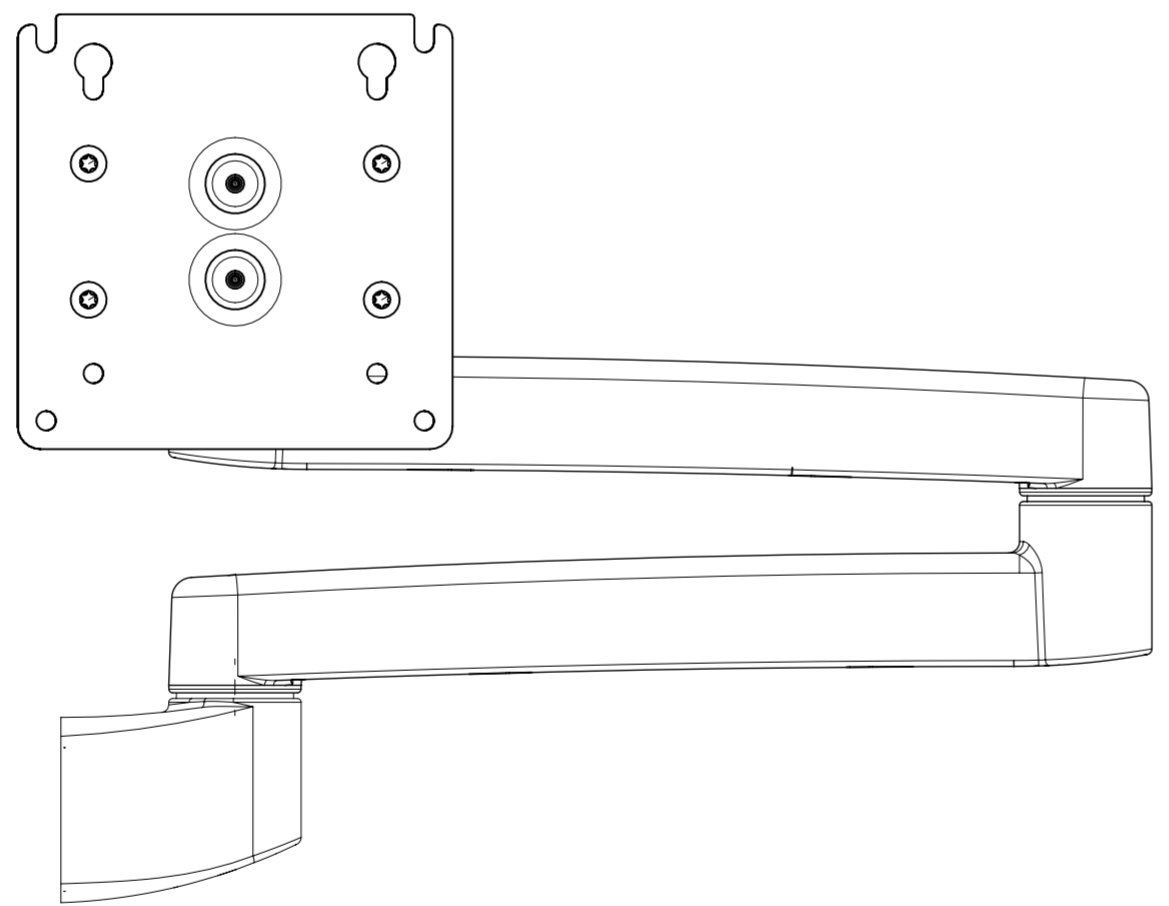
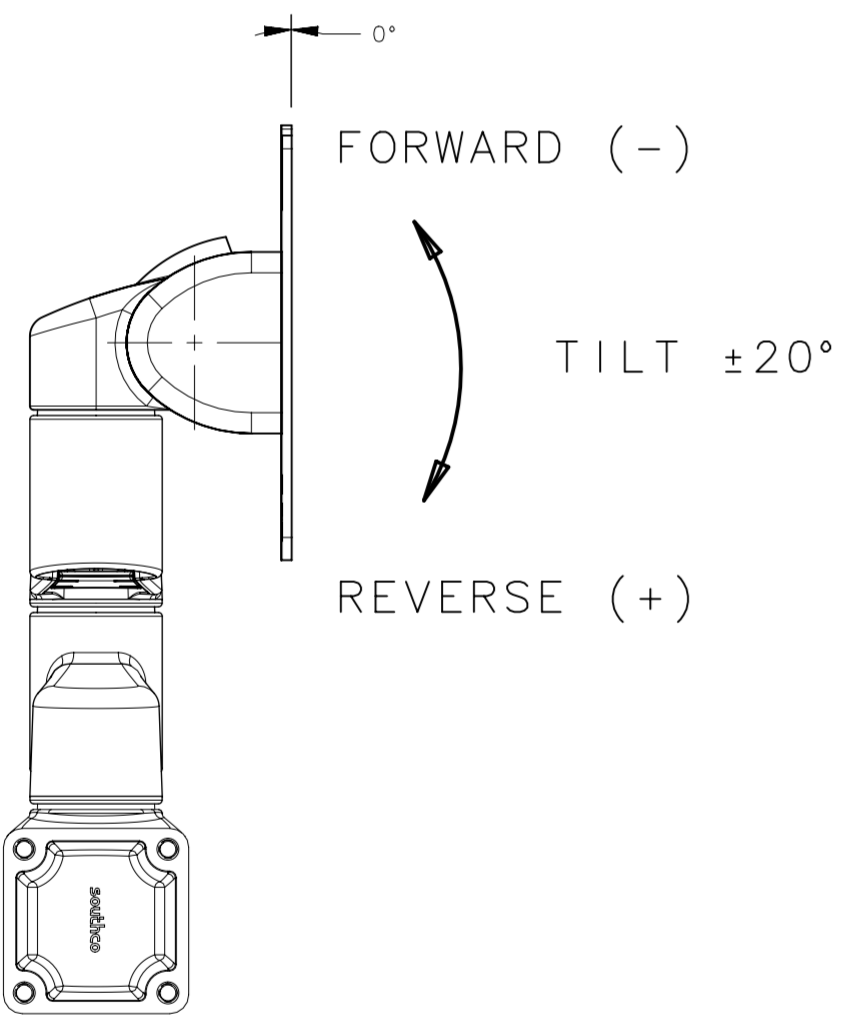
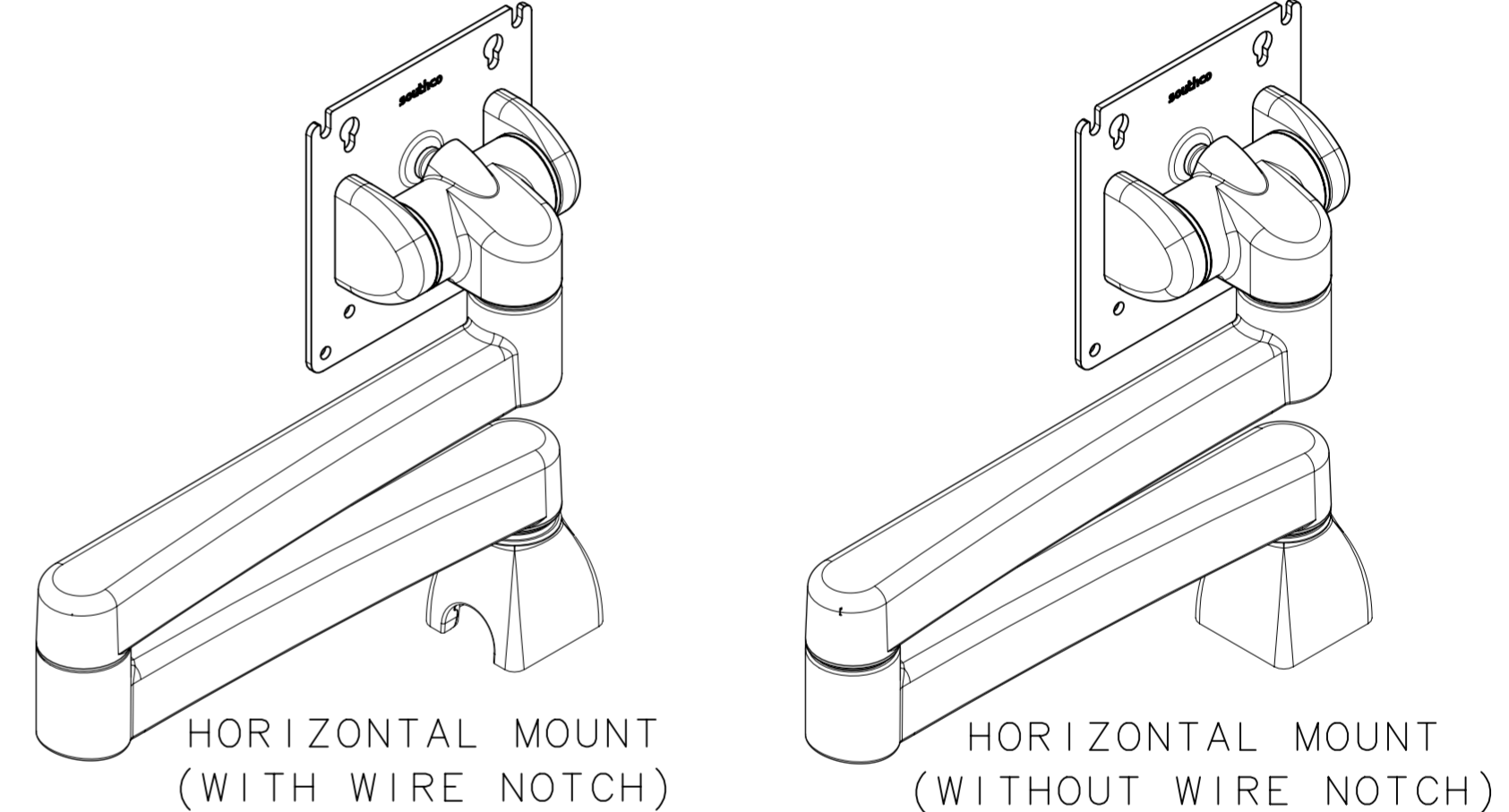
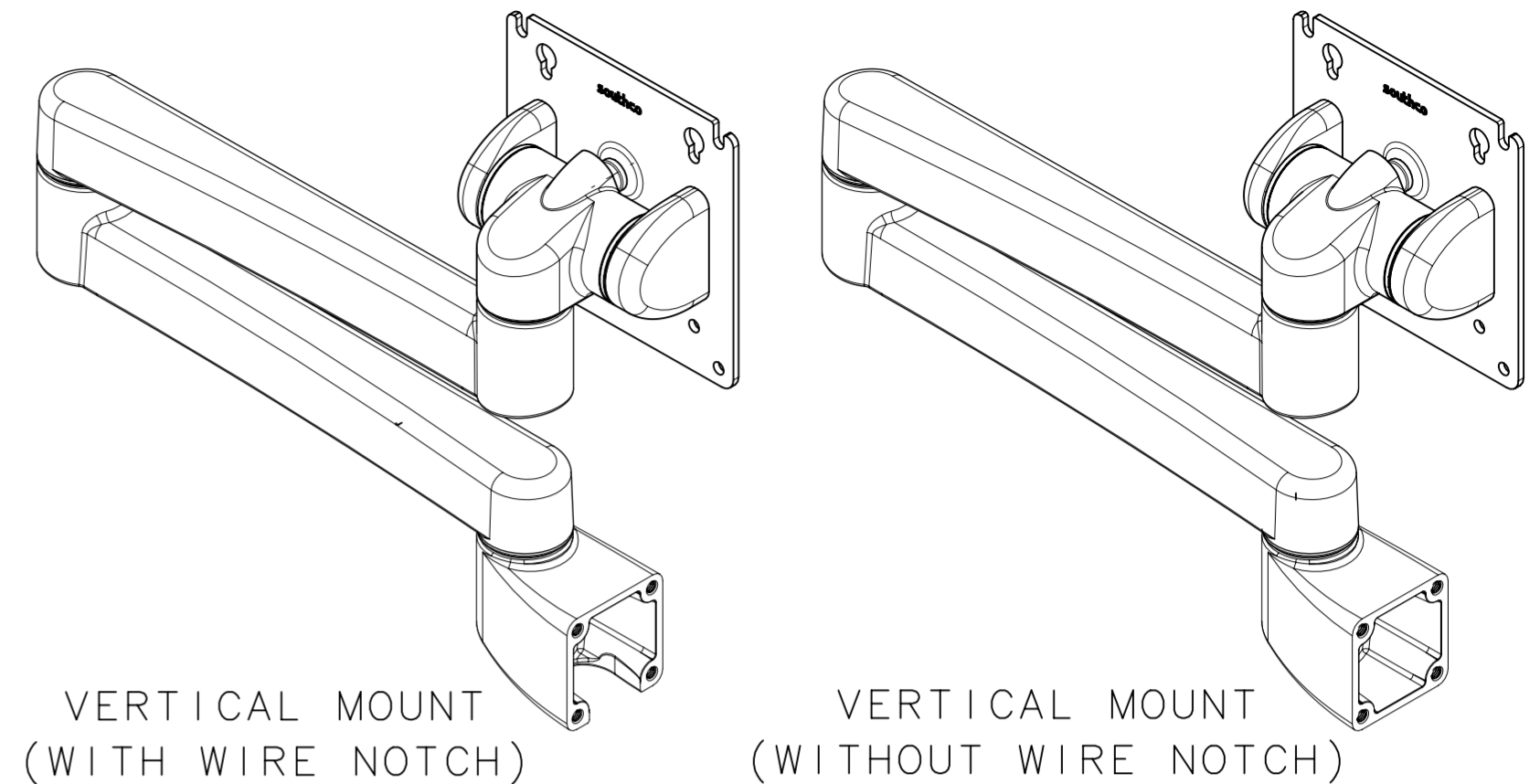
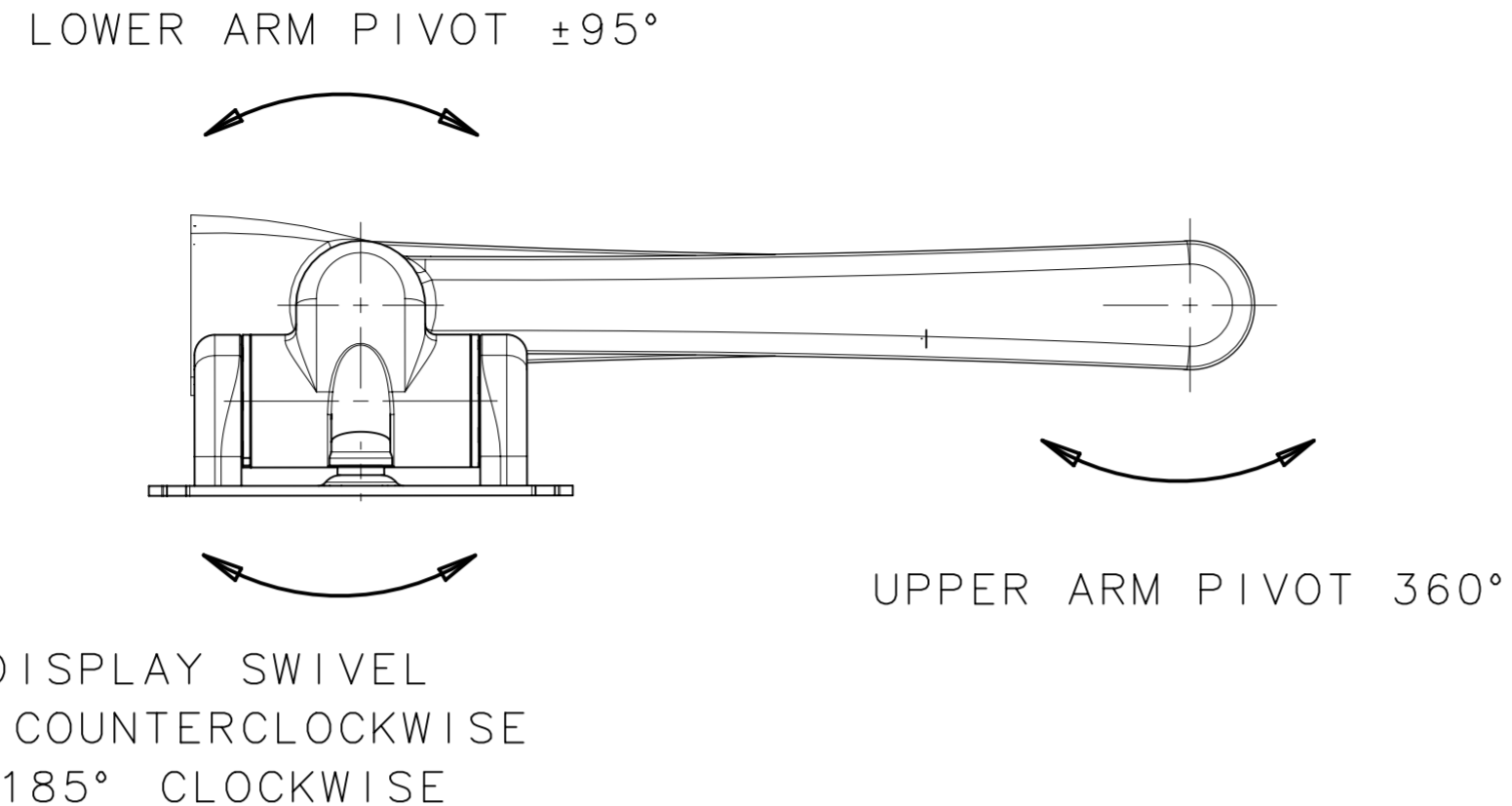


REVISION HISTORY			
REV	DATE	BY	DESCRIPTION
D	08FEB2018	CB1/VK	PRN: P2018-0356



- NOTES:
- TEST DATA FROM SOUTHCO TEST REPORT TRAV-18175.  
NOTE: CYCLE AND LOAD TESTS WERE CONDUCTED WITH WALL (VERTICAL PLANE) MOUNT VERSIONS. ULTIMATE LOAD TEST WAS CONDUCTED WITH THE DISPLAY PARALLEL TO THE MOUNTING PLANE AT THE LARGEST LINEAR DISTANCE.
  - DISPLAY AXIS SYSTEM CYCLE TEST AS INDIVIDUAL MOTION AS FOLLOWS:  
DISPLAY TILT FORWARD 20° AND REVERSE 20°.  
ARM AND DISPLAY SWIVEL/PIVOT SYSTEM CYCLE TEST AS CONTINUOUS MOTION AS FOLLOWS:  
DISPLAY SWIVEL 80°, UPPER ARM PIVOT 80° AND LOWER ARM PIVOT 80° FROM POSITION SHOWN IN A CONTINUOUS LINEAR MOTION.  
  
CYCLE TESTING CONDUCTED WITH A 5.49 kg (12.1 lbm) TEST DISPLAY PANEL ATTACHED FOR THE SWIVEL AND PIVOT CYCLE TESTS.
  - TILT TORQUE SPECIFICATION AT A CYCLE LIFE OF 20,000 CYCLES AT 25% DUTY CYCLE AT SPEEDS LESS THAN 15 RPM. TILT CYCLE TEST DATA IS FROM PART NUMBER AV-D32-23A102-50.  
  
NOTE: TILT FORWARD AND TILT REVERSE TORQUE MEASURED WITH THE DISPLAY IN THE VERTICAL (0°) POSITION. THE TILT TORQUE IN THE FORWARD AND REVERSE DIRECTION VARIES WITH THE COUNTERBALANCE, (WHEN EQUIPPED).
  - PART NUMBERS: YY = 50, 60, 61 OR 76

HOUSING STYLE	VERTICAL MOUNT PART NUMBER (SEE NOTES)	HORIZONTAL MOUNT PART NUMBER (SEE NOTES)	DISPLAY TILT REVERSE TORQUE N*m (lbf*in) ±20%	DISPLAY TILT FORWARD TORQUE N*m (lbf*in) REFERENCE	DISPLAY SWIVEL TORQUE	UPPER ARM PIVOT TORQUE AT MIDDLE JOINT	LOWER ARM PIVOT TORQUE AT MOUNT	WORKING LOAD RATING PER UL 1678 N (lbm)	ULTIMATE LOAD N (lbm)	SWIVEL AND PIVOT STOP ULTIMATE TORQUE N*m (lbf*in)	CYCLE LIFE	THIRD ANGLE PROJECTION		DESCRIPTION
												MILLIMETERS [IN]		
WITHOUT WIRE NOTCH	AV-D32-46D101-YY	AV-D32-46D121-YY	7.9 (70)	2.2 (19.5)	4.29 N*m (38 lbf*in)	9.8 N*m (87 lbf*in)	9.8 N*m (87 lbf*in)	53.4 (12.1)	756 (170)	11.3 (100)	20,000	UP TO 0.5 ±0.05		STANDARD DOUBLE ARM ASSEMBLY VERTICAL AND HORIZONTAL MOUNT
	AV-D32-46D102-YY	AV-D32-46D122-YY	15.36 (136)	2.26 (20)	NOMINAL /	NOMINAL /	NOMINAL /	53.4 (12.1)				OVER 0.5 UP TO 6 ±0.1		
	AV-D32-46D103-YY	AV-D32-46D123-YY	8.58 (76)	6.01 (53.2)	NOMINAL /	NOMINAL /	NOMINAL /	53.4 (12.1)				OVER 6 UP TO 30 ±0.2		
WITH WIRE NOTCH	AV-D32-46D111-YY	AV-D32-46D131-YY	7.9 (70)	2.2 (19.5)	2.71 N*m (24 lbf*in)	5.08 N*m (45 lbf*in)	5.08 N*m (45 lbf*in)	53.4 (12.1)	53.4 (12.1)	53.4 (12.1)	53.4 (12.1)	OVER 30 ±0.3		TD-AV-D32-46D1XY-J
	AV-D32-46D112-YY	AV-D32-46D132-YY	15.36 (136)	2.26 (20)	MINIMUM	MINIMUM	MINIMUM	53.4 (12.1)				ANGLES ±1°		
	AV-D32-46D113-YY	AV-D32-46D133-YY	8.58 (76)	6.01 (53.2)	MINIMUM	MINIMUM	MINIMUM	53.4 (12.1)				PER ASME Y14.5M-1994		



SURFACE AREA		TOLERANCES UNLESS OTHERWISE NOTED		DESCRIPTION	
XXXXXmm²		UP TO 0.5 ±0.05		STANDARD DOUBLE ARM ASSEMBLY VERTICAL AND HORIZONTAL MOUNT	
VOLUME		OVER 0.5 UP TO 6 ±0.1		SIZE SYSTEM	
XXXXXmm³		OVER 6 UP TO 30 ±0.2		A2 NX	
PROPRIETARY ITEM		OVER 30 ±0.3		DWG NO. TD-AV-D32-46D1XY-J	
EXCEPT FOR USES EXPRESSLY GRANTED IN WRITING, INFORMATION DISCLOSED HEREON IS CONFIDENTIAL AND ALL RIGHTS, PATENT AND OTHERWISE, ARE RESERVED BY SOUTHCO, INC.		ANGLES ±1°		SCALE 1:1	
PER ASME Y14.5M-1994		DRAWN BY GEA		DATE 15SEP2014	
		SCALE 1:1		SHEET 1 OF 1	