



02 Push-to-Close Latch

Pull-to-open · Magnetic catch · Snap-in

- Snap-in installation
- Optional side mount bracket

Material and Finish

Housing:
Pole pieces and mounting bracket:
Steel, zinc plated

Small, large: Barium ferrite
Medium: Strontium ferrite

Performance Details

Size	Average breakaway force
Small 300 series	8 N (1.8 lbf)
Medium 100 series	46 N (10 lbf)
Large 200 series	64 N (14 lbf)
Double magnet 800 series	105 N (23 lbf)

Operating temperature range:
-30°C (-20°F) to 115°C (240°F)

Flammability rating
UL94-HB

Installation Notes

For non-ferrous applications.
Screw-mounted and adhesive backed strikes are available. Order separately. See page 217.

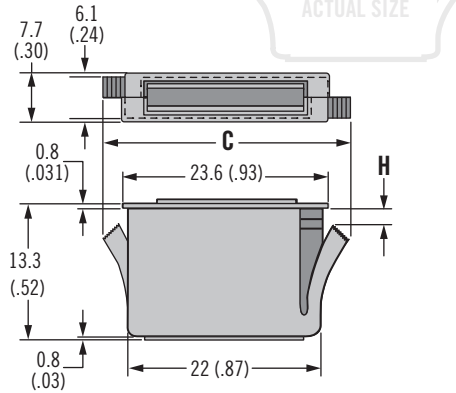
Notes

Performance values shown are supplied as a general guide only.

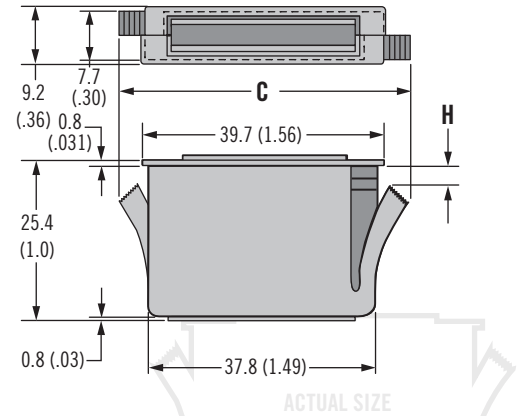
Part Number

See table

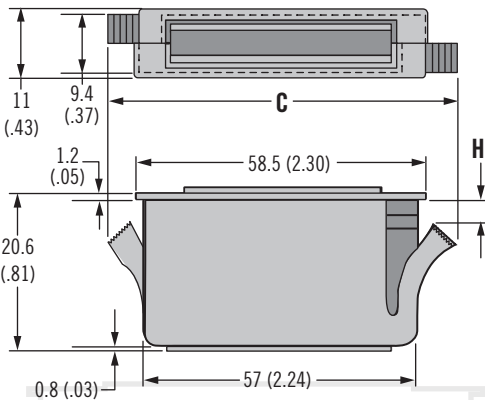
Small



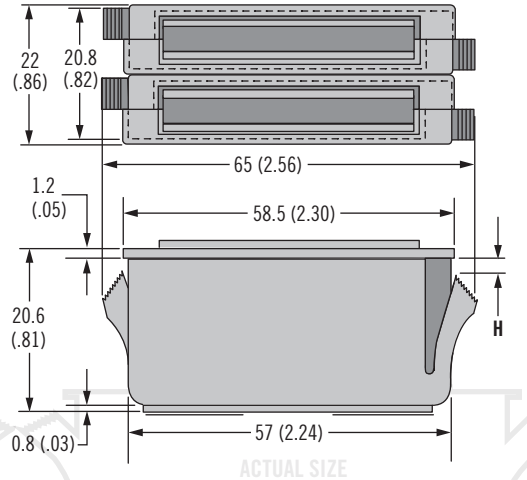
Medium



Large



Large double magnet



Size	C	H	Frame Thickness		Magnet Part Number	
			Minimum	Maximum	Black	White
Small	27.9 (1.10)	0.9 (.035)	0.5 (.020)	2 (.080)	02-10-301-10	02-10-301-20
	26.7 (1.05)	2.4 (.095)	2 (.080)	3.6 (.140)	02-10-302-10	02-10-302-20
Medium	47 (1.85)	1 (.040)	0.5 (.020)	2 (.080)	02-10-101-10	02-10-101-20
	46.2 (1.82)	2.5 (.100)	2 (.080)	3.6 (.140)	02-10-102-10	02-10-102-20
	45.5 (1.79)	4 (.160)	3.6 (.140)	5.1 (.200)	02-10-103-10	02-10-103-20
Large	65.3 (2.57)	0.3 (.010)	0.5 (.020)	2 (.080)	02-10-201-10	02-10-201-20
	64.5 (2.54)	1.8 (.070)	2 (.080)	3.6 (.140)	02-10-202-10	02-10-202-20
	63.3 (2.49)	3.3 (.130)	3.6 (.140)	5.1 (.200)	02-10-203-10	02-10-203-20
Large double magnet	~	0.3 (.010)	0.5 (.020)	2 (.080)	02-10-801-10	~
	~	1.8 (.070)	2 (.080)	3.6 (.140)	02-10-802-10	~
	~	3.3 (.130)	3.6 (.140)	5.1 (.200)	02-10-803-10	~

Other options available. For complete details on variety, part numbers, installation and specification, go to

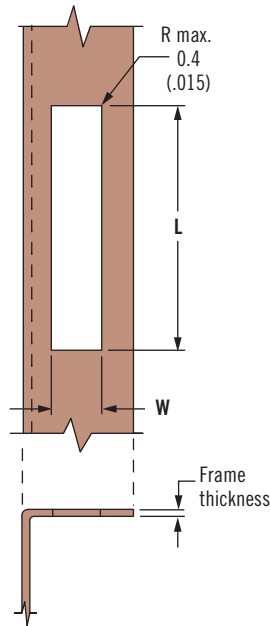


www.southco.com/02

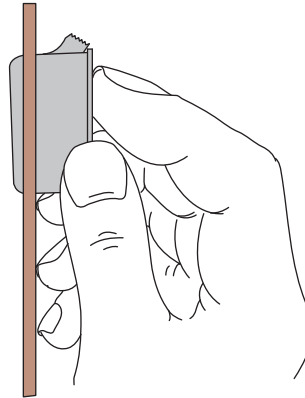
Dimensions in millimeters (inch) unless otherwise stated

Installation

1. Punch rectangular slot

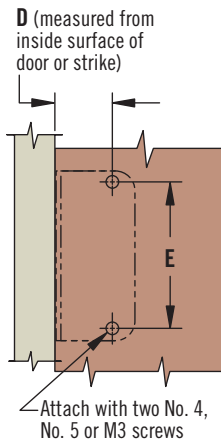
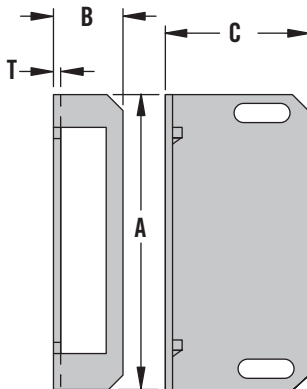


2. Snap catch into slot



Mounting Bracket

For applications where frame is not suitable for punching (order separately)



Size	A	B	C	D	E ±0.1 (±.005)	T	For Use with these Magnets ONLY	Bracket Part Number
Small	41.3 (1.63)	11.1 (.44)	13.5 (.53)	7.9±2.4 (.31±.09)	35 (1.38)	1 (.042)	02-10-301-10 02-10-301-20	02-16-301-11
Medium	51 (2.00)	12.7 (.50)	24.6 (.97)	17.5±3.2 (.69±.13)	44.5 (1.75)		02-10-101-10 02-10-101-20	02-16-101-11
Large	76 (3.00)	14.3 (.56)	18.7 (.73)	12.7±3.2 (.50±.13)	70 (2.75)		02-10-201-10 02-10-201-20	02-16-201-11
Large double magnet	76 (3.00)	25.4 (1.00)	18.7 (.73)	12.7±3.2 (.50±.13)	70 (2.75)	1.6 (.062)	02-10-801-10	02-16-801-11

- Snap-in installation
- Optional side mount bracket

Installation Notes

Size	L ±0.1 (.005)	W ±0.1 (.005)
Small	22.2 (.875)	6.4 (.25)
Medium	38.1 (1.50)	8.1 (.32)
Large	57.1 (2.25)	9.6 (.38)
Double magnet	57.1 (2.25)	21 (.828)

Part Number

See table



02 Push-to-Close Latch

Pull-to-open · Magnetic catch · Snap-in

- Round hole
- Snap-in installation
- Adhesive installation
- Optional side mount bracket

Material and Finish

Housing: Polypropylene, black
 Pole pieces: Steel, zinc plated
 Magnet: Barium ferrite

Performance Details

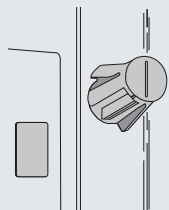
Size	Average breakaway force
100 series	46 N (10 lbf)
200 series	64 N (14 lbf)
300 series	8 N (1.8 lbf)
400 series	18.5 N (4.2 lbf)
600 series	49 N (11 lbf)

Operating temperature range:
 -30°C (-20°F) to 115°C (240°F)

Flammability rating: UL94-HB

Installation Notes

For non-ferrous applications. Screw-mounted and adhesive backed strikes are available. Order separately. See page 217.



Notes

Performance values shown are supplied as a general guide only

Part Number

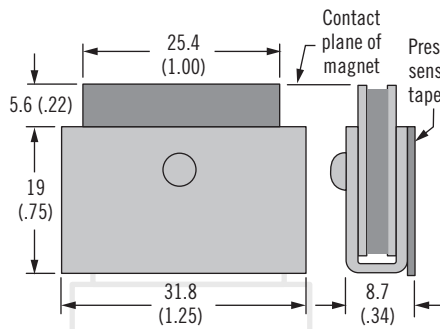
See table

Other options available. For complete details on variety, part numbers, installation and specification, go to

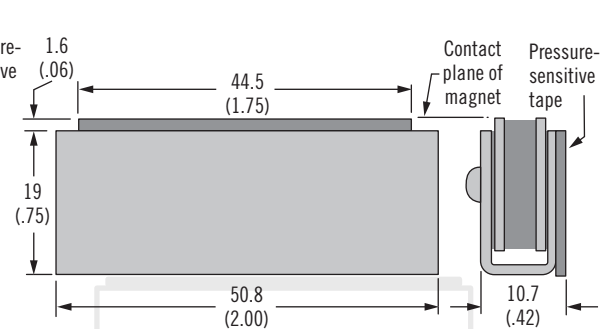


www.southco.com/02

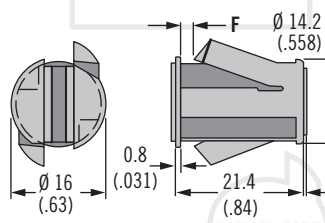
Series 100 - Part Number 02-30-121-10



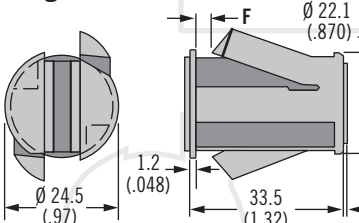
Series 200 - Part Number 02-30-221-10



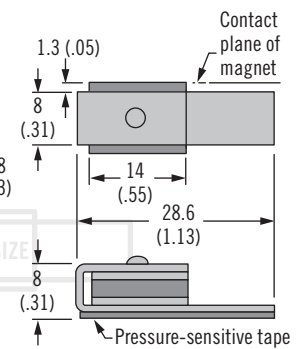
Small - 400 Series



Large - 600 Series

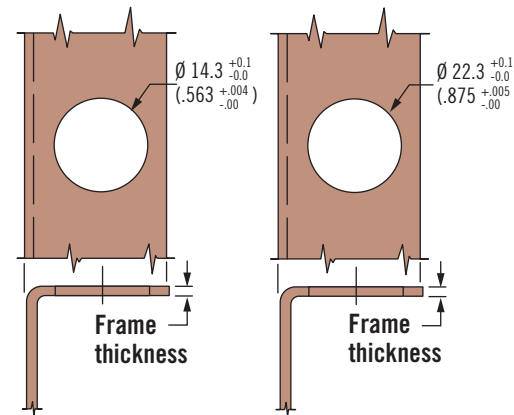


Series 300 - Part Number 02-30-321-10

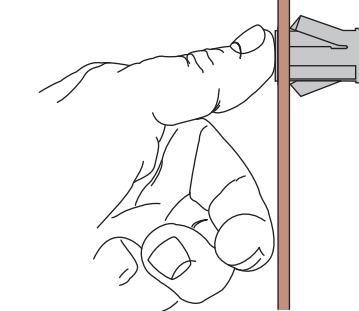


Installation

1. Drill or punch hole

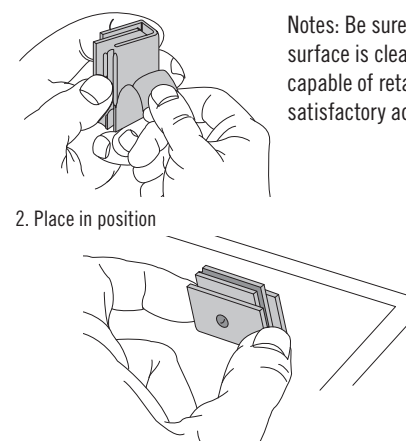


2. Snap catch into hole



Installation

1. Remove protective paper
2. Place in position



Notes: Be sure the mounting surface is clean and capable of retaining a satisfactory adhesive bond

Size	ØD	F	Frame Thickness		Magnet Part Number
			Minimum	Maximum	
Small	Ø 14.3 (+0.1/-0.0) (0.563 (+0.004/-0.00))	0.8 (.030)	0.5 (.020)	2 (.080)	02-20-411-10
		2.3 (.090)	2 (.080)	3.5 (.140)	02-20-412-10
		3.8 (.150)	3.5 (.140)	5 (.200)	02-20-413-10
Large	Ø 22.3 (+0.1/-0.0) (0.875 (+0.005/-0.00))	0.5 (.020)	0.5 (.020)	2 (.080)	02-20-611-10
		2 (.080)	2 (.080)	3.5 (.140)	02-20-612-10
		3.5 (.140)	3.5 (.140)	5 (.200)	02-20-613-10

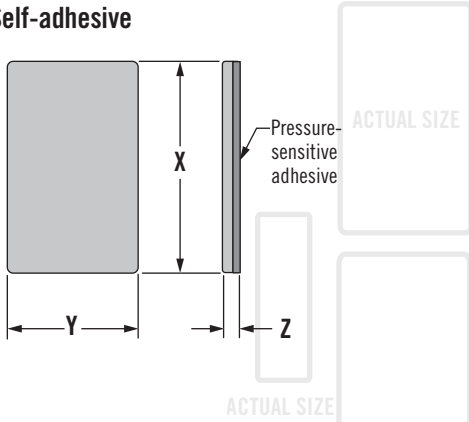
Dimensions in millimeters (inch) unless otherwise stated

02 Push-to-Close Latch

Steel strikes



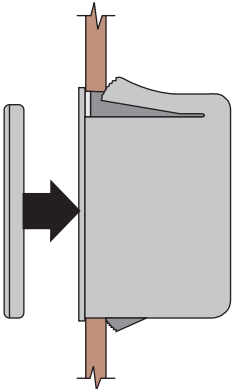
Self-adhesive



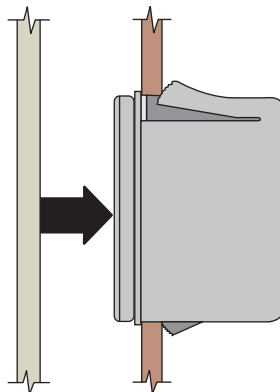
For Use with Series Catch	Strike Part Number	X	Y	Z
300	02-14-301-14	24	8	2
400		(.94)	(.31)	(.08)
100	02-14-101-14	32	19	2.4
600		(1.25)	(.75)	(.094)
200	02-14-201-14	51	19	2.4
800		(2.00)	(.75)	(.094)

Installation

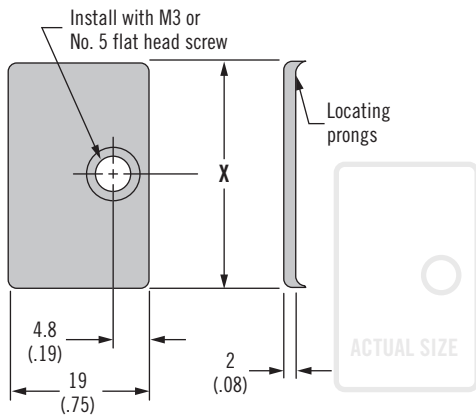
1. Position strike on installed catch



2. Remove protective paper. Close door or panel onto strike



Screw-Mounted



For Use With Series Catch	Strike Part Number	X
100	02-14-102-11	32 (1.25)
600		
200	02-14-202-11	51 (2.00)
800		

- Ferrous keepers for magnet catch
- Self-adhesive or screw mount

Material and Finish

Steel, zinc plated

Adhesive:

Neoprene foam with acrylic

Installation Notes

Be sure the mounting surface is clean and capable of retaining a satisfactory adhesive bond.

Self-adhesive mounted strikes are designed to function under intermittent break-away loads.

Use screw-mounted strikes for continuous load applications.

Part Number

See table