



# EA-P3 High Frequency RFID Access Controller

## Standalone Access Controller

- Non-contact proximity based access control
- Reads **MIFARE®** compatible 13.56 MHz RFID credentials
- Integrated LED status indicator
- Compact, low profile design
- Simple, 3 hole installation
- Relay Output (Form C)
- Enables management of 64 users
- Adjustable door release time

### Material & Finish

ABS Plastic

### Electrical Specifications

Supply Voltage: 12VDC +/- 10%

Operating Current: 160 mA

Maximum (No attached devices)

Operating Temperature: -15 to 55 °C

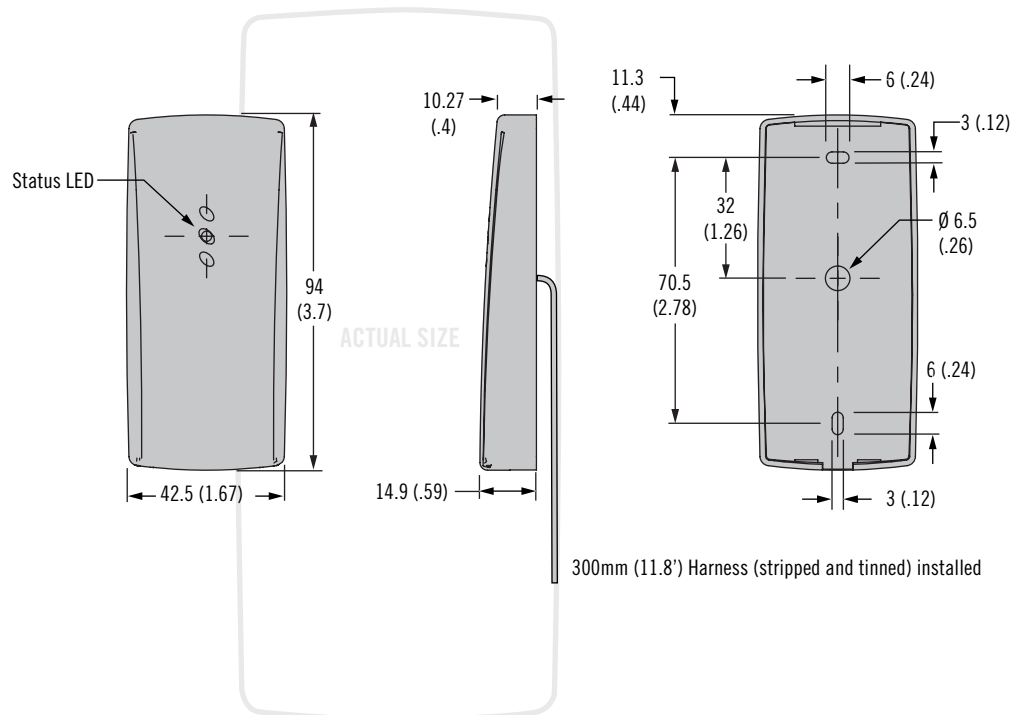
Operating Humidity: 20-90% RH,  
No condensation

Transmit Frequency: 13.56 MHz

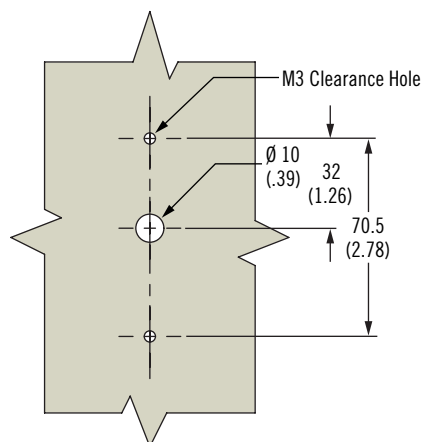
Read Range: Up to 5 cm (2 in.)

### Notes

\*\* **MIFARE** is a trademark of NXP B.V.



### Panel Preparation



### Wire Harness Legend

Wire Color	Function
Red	VCC (12VDC)
Black	GND
Brown	Relay N.O
Orange	Relay COM
Yellow	Relay N.C.
Green	Unused
Blue	Auxiliary Input
Light Green	LED GND
Pink	LED Control (+12VDC)
Purple	Tamper Switch N.C.
Gray	Tamper Switch N.O.
White	Tamper Switch COM

### Part Number Selection\*

EA-P3-200-1	High Frequency RFID Controller w/ Logo
EA-C3-101	MIFARE® RFID Credential; Slotted, w/o Logo

\* Contact Southco for Custom Color and Logo Options

Other options available. For complete details on variety, part numbers, installation and specification, go to



[www.southco.com/EA](http://www.southco.com/EA)

Dimensions in millimeters (inch) unless otherwise stated

**southco**  
CONNECT · CREATE · INNOVATE



# EA-P3 125kHz Proximity Reader

## Basic Prox card reader

- Non-contact proximity based access control
- Reads HID® compatible 125kHz prox cards
- Standard 26 bit Wiegand output
- Integrated LED status indicator
- Compact, low profile design
- Simple, 3 hole installation
- Sealed weather resistant design

### Material & Finish

ABS Plastic

### Electrical Specifications

Supply Voltage: 12VDC +/- 10%

Operating Current: 60 mA

Maximum (No attached devices)

Operating Temperature: -15 to 55 °C

Operating Humidity: 20-90% RH,  
No condensation

Transmit Frequency: 125kHz (FSK)

Read Range: Up to 10cm

26 Bit Wiegand Output

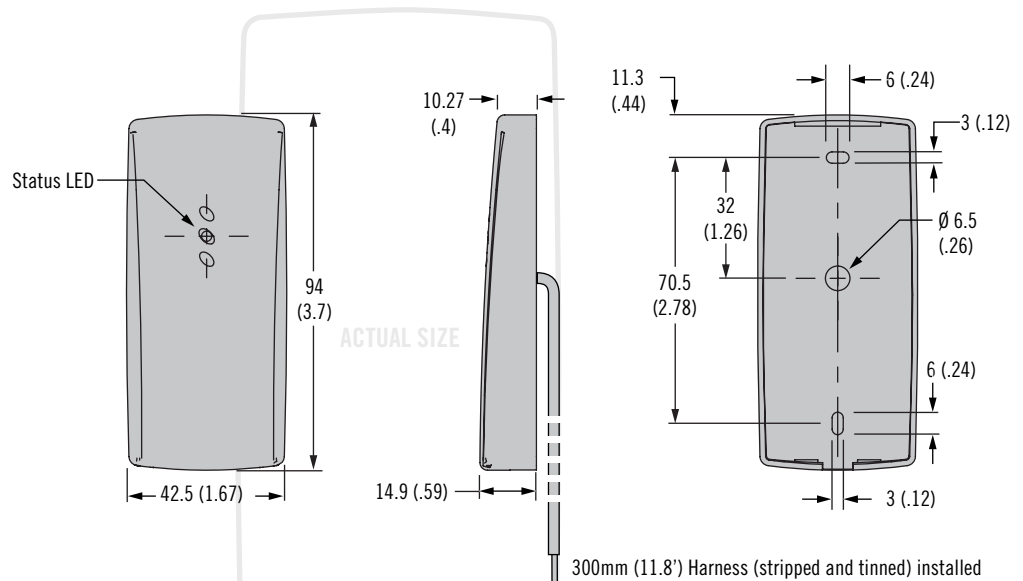
Reader will convert the user card ID to 26 bit Wiegand format

\* HID is a registered trademark of HID Global.

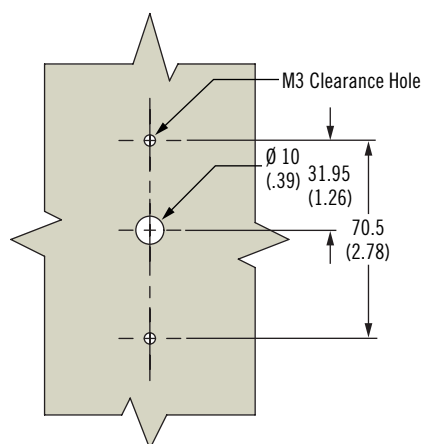
Other options available. For complete details on variety, part numbers, installation and specification, go to



[www.southco.com/EA](http://www.southco.com/EA)



### Panel Preparation



### Wire Harness Legend

Wire Color	Function
Red	VCC (12VDC)
Black	GND
White	Data 1
Green	Data 0
Yellow	GND
Brown	No Function
Orange	No Function
Blue	No Function

### Part Number Selection

EA-P3-101-1	Proximity Reader (Gray Enclosure*)
EA-C2-021-9	Proximity Card (With Logo*)

\* Contact Southco for Custom Color and Logo Options

Dimensions in millimeters (inch) unless otherwise stated

**southco**  
CONNECT · CREATE · INNOVATE