

EM-10 Electronic Slide Bolt

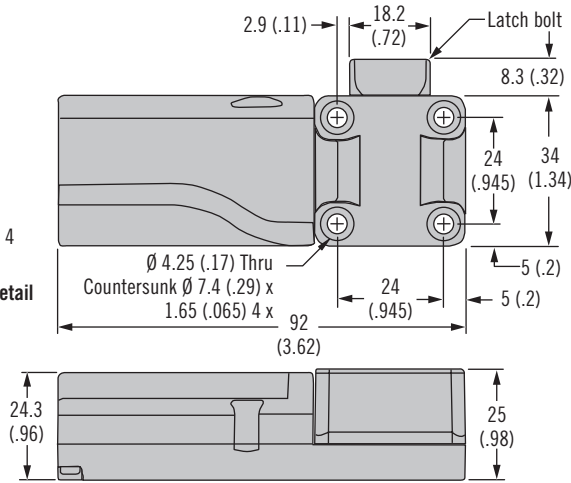
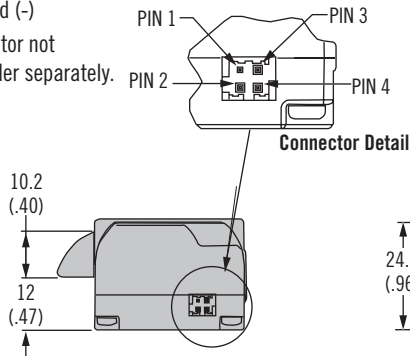
Push-to-close



Front Mount (left version shown)

Wire Color Code / Connector Pin Assignment:

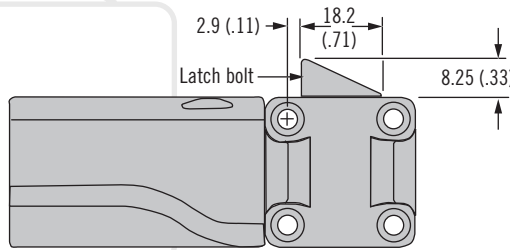
- PIN 1: Control input signal
 - PIN 2: Power (+)
 - PIN 3: Output signal
 - PIN 4: Ground (-)
- Mate connector not included, order separately.




Side Mount (left version shown)

Dimensions same as Front Mount, except as noted.


ACTUAL SIZE

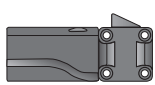
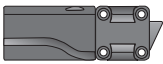
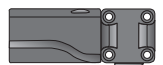



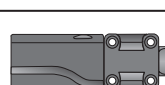
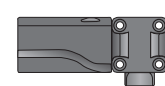
Wire Harness and Connector

Part Number		Length	
Wire Harness with Mate Connector (order separately)			
EM-10-40	300 (11.81)		
EM-10-41	1000 (39.37)		
EM-10-42	2000 (78.74)		

Rotation Kit

Part Number		
Rotation Kit * (order separately)	EM-10-32-8	

VDC	Part Numbers	Side Mount Version
12VDC 24VDC	EM-10-23-310 EM-10-23-410	
12VDC 24VDC	EM-10-21-310 EM-10-21-410	
12VDC 24VDC	EM-10-32-310 EM-10-32-410	

VDC	Part Numbers	Front Mount Version
12VDC 24VDC	EM-10-13-310 EM-10-13-410	
12VDC 24VDC	EM-10-11-310 EM-10-11-410	
12VDC 24VDC	EM-10-12-310 EM-10-12-410	

- Microprocessor controlled gear motor
- Accepts signals from any electronic actuation source
- Frame side mounting simplifies wiring

Material & Finish

Enclosure & latch bolt: Thermoplastic
Housing assembly screws: Steel, zinc plated

Electrical Specifications

Recommended operating voltage: 12 or 24 Volt DC
No load operating current: 200 mA @ 12-24 V
Peak stall / current: 1 A

Control Input

Retracted Position: 12-24 Volt DC
The latch bolt will remain retracted for as long as the signal is present or a minimum of 1 second.
Input Signal Current: 25 mA
Extended Position: 0 VDC

Output Signal

Output Signal Rating: 450 mA Maximum load
Output will turn on when latch bolt is in retracted position. Output slow flashes On/Off when latch error occurs.
No signal at latch bolt extended position.

The Electronic Keeper is provided with a specific latch bolt orientation (Left, Right or Center). Latch bolt direction can be re-oriented using the appropriate replacement gear from the *optional rotation kit.

Other options available. For complete details on variety, part numbers, installation and specification, go to



www.southco.com/EM-10