



# CB LIFT-A-SYST®

## 20 Series Light and Medium Duty

- Provides maximum safety for pass through hinged counters
- One piece construction
- Low profile design
- Ease of installation
- Maintenance free (No servicable parts)

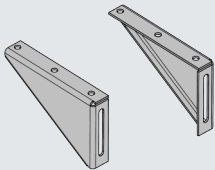
### Material and Finish

Aluminum, black

### Installation Notes

Please refer to instructions shipped or visit [www.southco.com/CB-instructions](http://www.southco.com/CB-instructions)

### Accessories

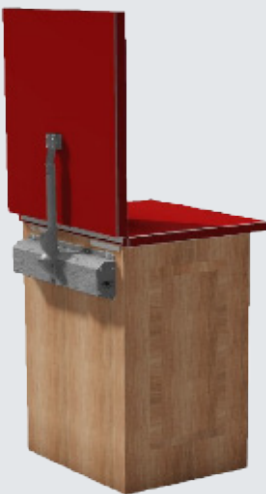


Die wall kit to be used when mounting surface is narrower than the unit.

Part number: CB-1-20-500

### Part Number

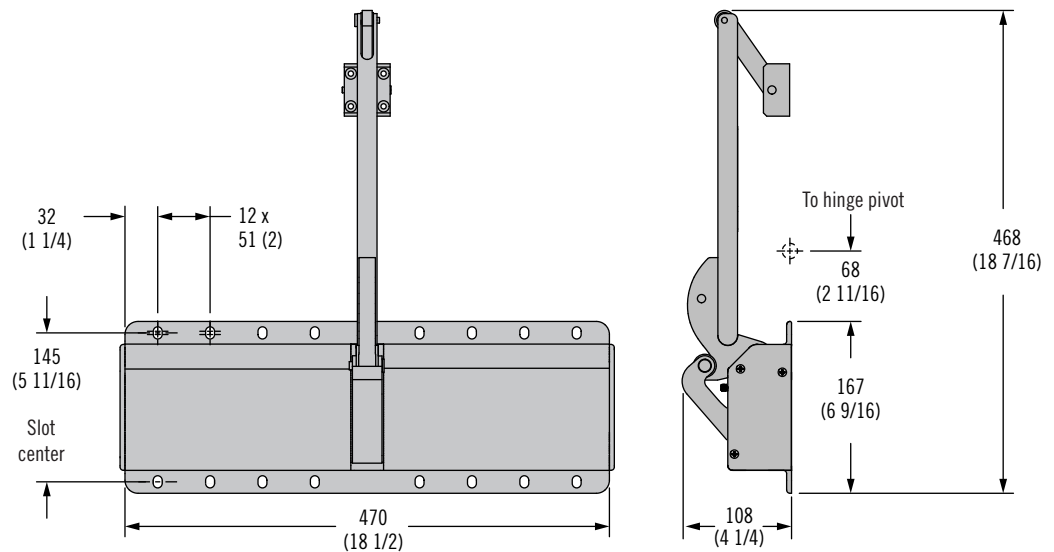
See table



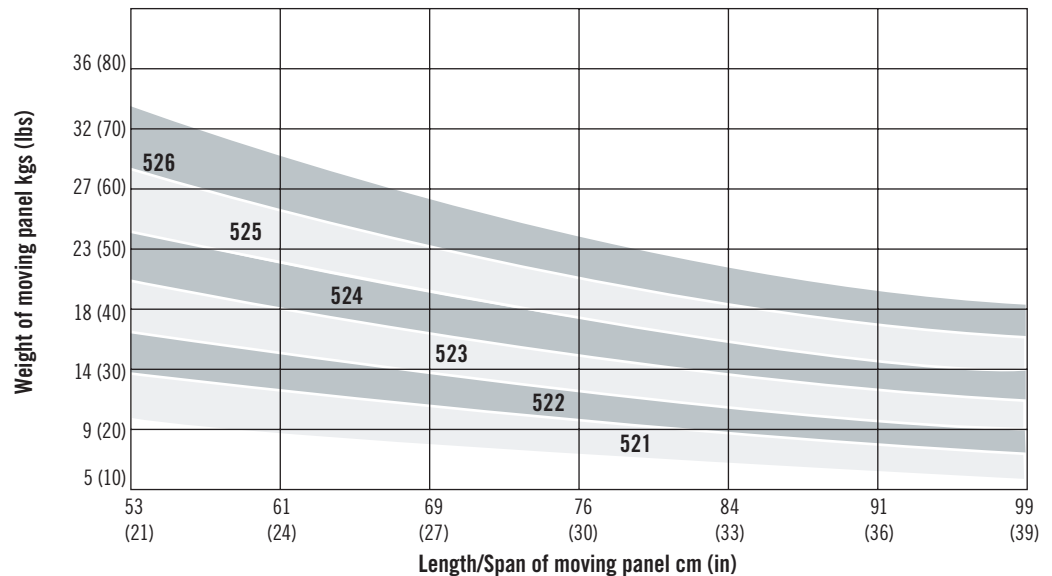
Other options available. For complete details on variety, part numbers, installation and specification, go to



[www.southco.com/CB](http://www.southco.com/CB)



### Model Selection Chart



Part selected is based at the intersection point on the table where your weight and length meet. Use of the Selection Chart when both weight and length is known

### 20 Series Part Numbers

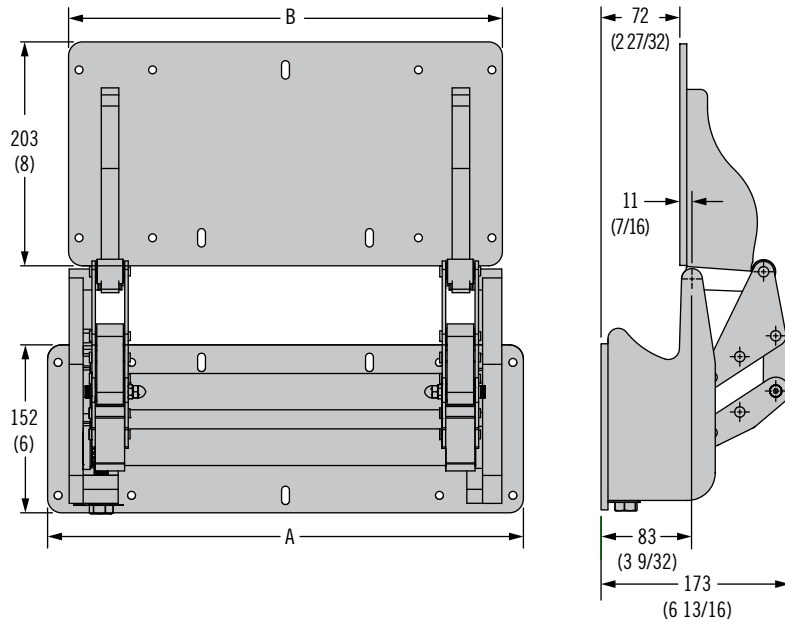
CB-1-20-526-10
CB-1-20-525-10
CB-1-20-524-10
CB-1-20-523-10
CB-1-20-522-10
CB-1-20-521-10

Dimensions in millimeters (inch) unless otherwise stated

# CB LIFT-A-SYST® 30 Series Heavy Duty



371B



- Integrated Hinge
- Provides maximum safety for heavy pass through hinged counters
- One piece construction
- Low profile design
- Ease of installation
- Maintenance free (No servicable parts)

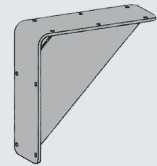
### Material and Finish

Aluminum, black

### Installation Notes

Please refer to instructions shipped or visit [www.southco.com/CB-instructions](http://www.southco.com/CB-instructions)

### Accessories



Die wall kit to be used when mounting surface is narrower than the unit.

Part number: CB-2-30-300

### Part Number

See table

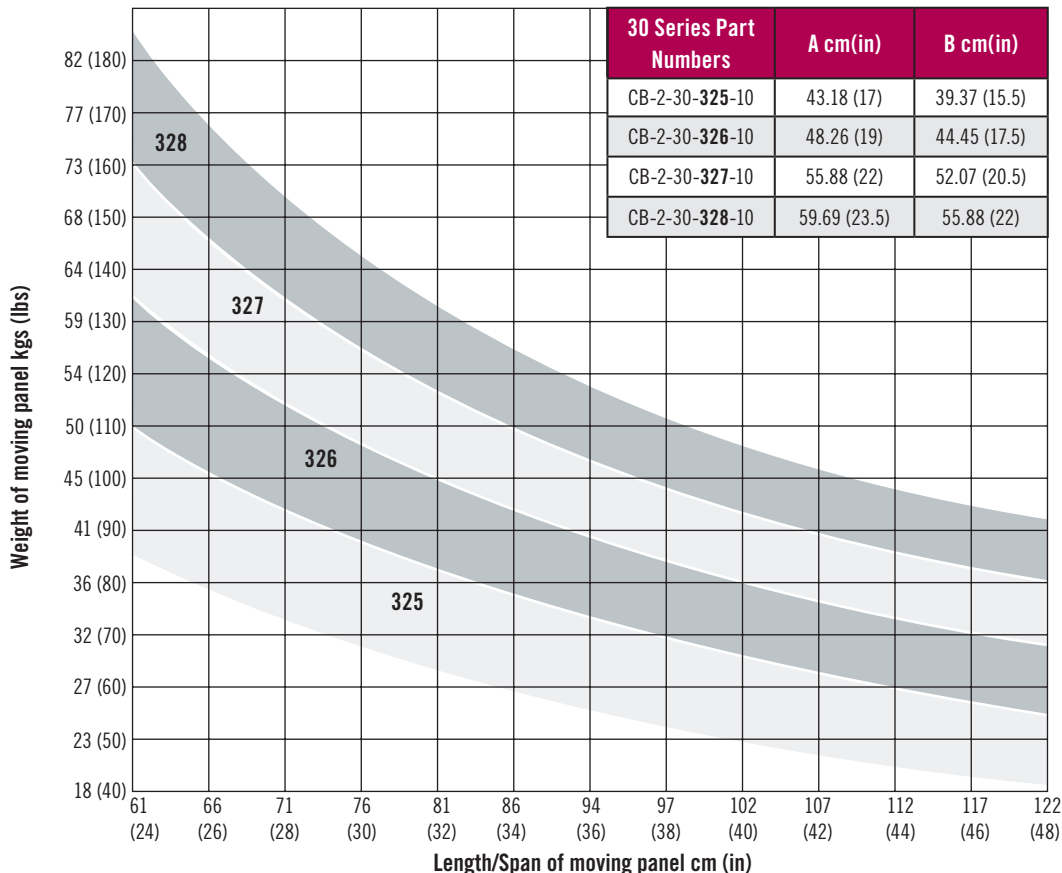


Other options available. For complete details on variety, part numbers, installation and specification, go to



[www.southco.com/CB](http://www.southco.com/CB)

### Model Selection Chart



Part selected is based at the intersection point on the table where your weight and length meet. Use of the Selection Chart when both weight and length is known