



N2 Compression Latch

Lift & turn series · Folding T-handle · Flush cup style · Adjustable grip

- Heavy-duty performance
- Flush profile when latched
- Easy grip adjustment
- Intuitive operation

Material and Finish

Black powder coat version:
 Handle: Aluminum
 Cup and hardware: Steel
 Stainless Steel version:
 Handle, cup and hardware: Stainless steel

Performance Details

Maximum static load:
 1000 N (225 lbf)

Installation Notes

1. Insert latch and tighten 4 mounting nuts.
2. With latch in closed position, adjust jam nuts to position cam at correct grip.
 Maximum tightening torque:
 20 N·m (177 in·lbf)

Keys

See page 90

Notes

N2 product family:
 See opposite page for details

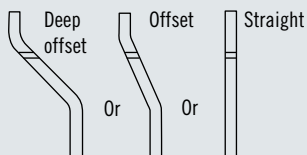
Part Number Selection

See table

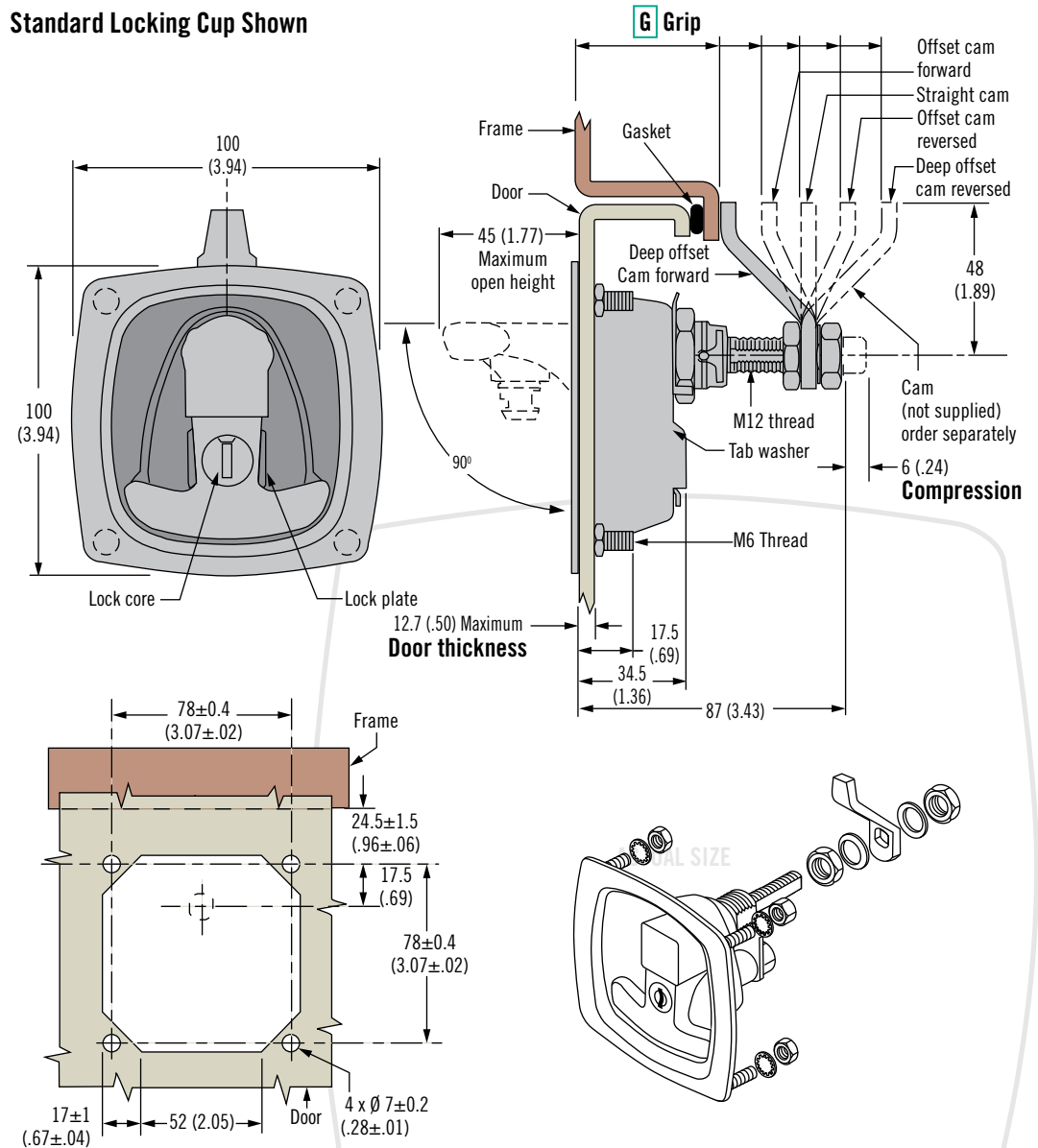
Order both parts separately

Choose latch body style

Choose cam (see table)



Standard Locking Cup Shown



Latch part number (no cam)

N2 - 2 - C 0 L - 01 - F

- C** Cup style
 - 3 Standard cup
 - 5 Medium cup
 - 7 Large cup
- L** Locking style
 - 0 Non-locking
 - 1 Key-locking keyed alike CH751 (2 keys supplied)
- F** Finish
 - 5 Black powder coated
 - 20 Polished stainless

Cam Part Number Table (order separately)			
Part Number	Grip		Cam Type
	Minimum	Maximum	
N2-21-101-12	28 (1.10)	43 (1.69)	Deep offset cam, forward
	88 (3.46)	104 (4.09)	Deep offset cam, reversed
N2-21-102-12	43 (1.69)	58 (2.28)	Offset cam, forward
	73 (2.87)	88 (3.46)	Offset cam, reversed
N2-21-103-12	58 (2.28)	73 (2.87)	Straight

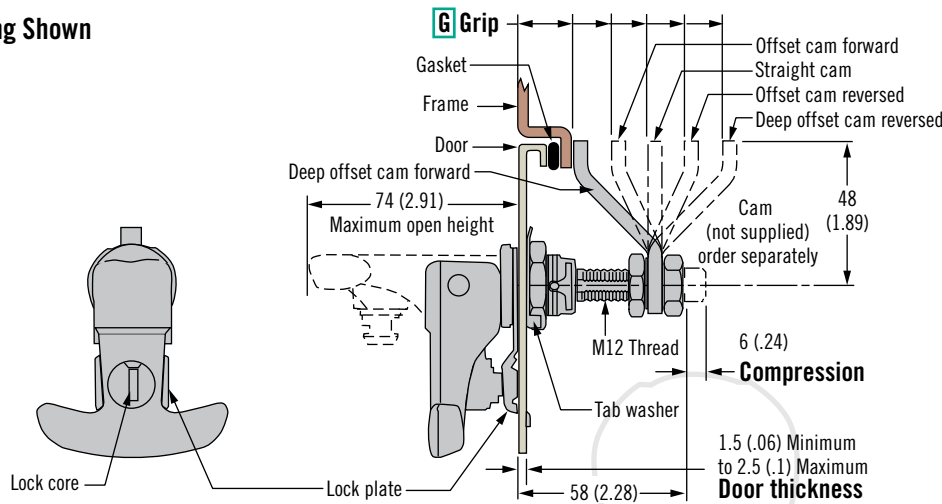
Dimensions in millimeters (inch) unless otherwise stated

N2 Compression Latch

Lift & turn series · Folding T-handle · No cup style · Adjustable grip



Locking Shown



- Heavy-duty performance
- Low profile when latched
- Easy grip adjustment
- Intuitive operation

Material and Finish

Black powder coat version:
 Handle: Aluminum
 Hardware: Steel
 Stainless Steel version:
 Handle and hardware:
 Stainless steel

Performance Details

Maximum static load:
 1000 N (225 lbf)

Installation Notes

1. Insert latch and tighten mounting nut.
2. Bend tab washer over mounting nut.
3. With latch in closed position, adjust jam nuts to position cam at correct grip. Maximum tightening torque: 20 N·m (177 in·lbf)

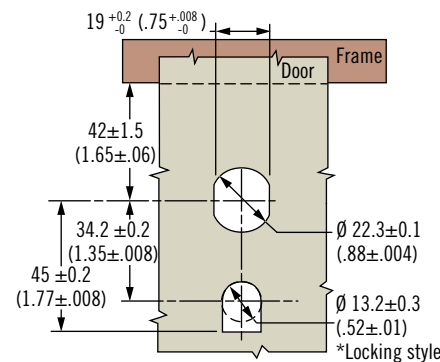
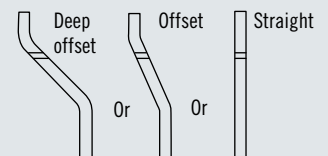
Keys

See page 90

Order both parts separately

Choose latch body style

Choose cam (see table)



Part Number Selection

See table

- F** Finish
 5 Black powder coated
 20 Polished stainless

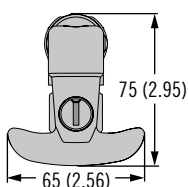
- L** Locking style
 0 Non-locking
 1 Key-locking keyed alike
 CH751 (2 keys supplied)

Latch part number (no cam)

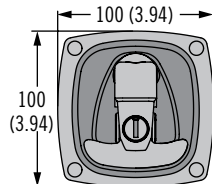
N2 - 2 - 10 L - 01 - F

Cam Part Number Table (order separately)			
Part Number	Grip		Cam Type
	Minimum	Maximum	
N2-21-101-12	2.5 (.10)	15 (.59)	Deep offset cam, forward
	60 (2.36)	75 (2.95)	Deep offset cam, reversed
N2-21-102-12	15 (.59)	30 (1.18)	Offset cam, forward
	45 (1.77)	60 (2.36)	Offset cam, reversed
N2-21-103-12	30 (1.18)	45 (1.77)	Straight

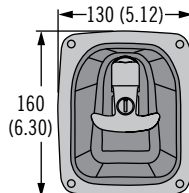
N2 Product Family



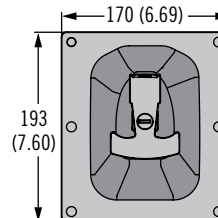
No Cup Style



Standard Cup



Medium Cup



Large Cup



Dimensions in millimeters (inch) unless otherwise stated

Notes

Other styles available
 Custom colors and keycodes
 Contact Southco for details

Other options available. For complete details on variety, part numbers, installation and specification, go to



www.southco.com/N2