

P7 AdvancedMC[®] Inject / Eject Mechanism

Pull module handle

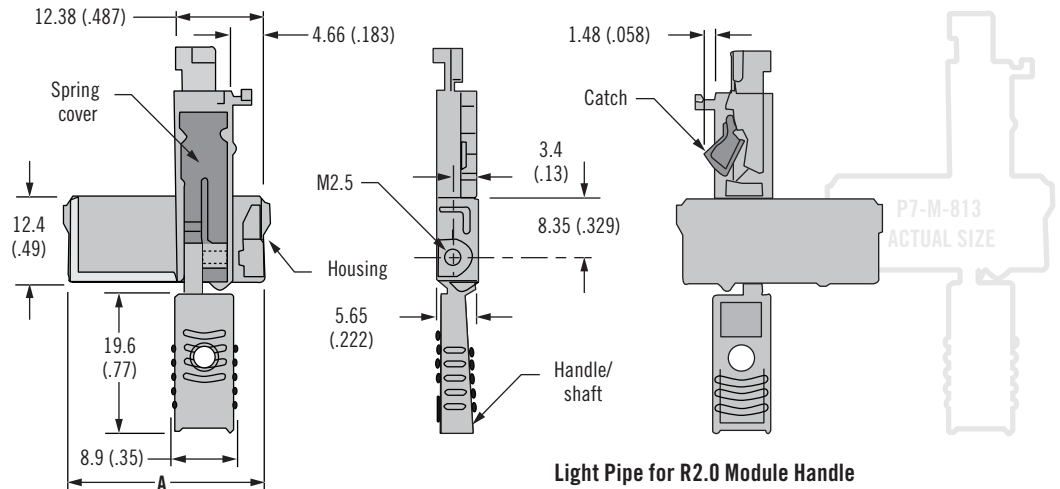
- Die-cast construction for robust performance
- Positive detent at three distinct positions
- Fits all current microswitch locations
- Custom colors available

Material and Finish

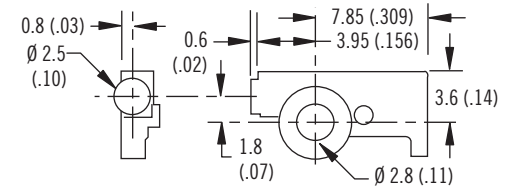
Handle/shaft, housing and catch:
Zinc alloy, bright chromate

Notes

*Order light pipes separately



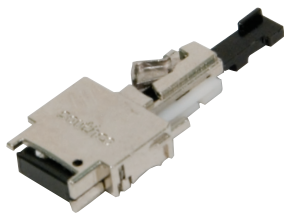
Part Number		Handle Size	A
Module handle	R2.0 Light pipe*		
P7-M-811-000	P7-10-812	Compact 3HP	12.50 (.492)
P7-M-812-000	P7-10-812	Mid size 4HP	17.55 (.691)
P7-M-813-000	P7-10-812	Full size 6HP	27.55 (1.085)



Other options available. For complete details on variety, part numbers, installation and specification, go to



www.southco.com/P7



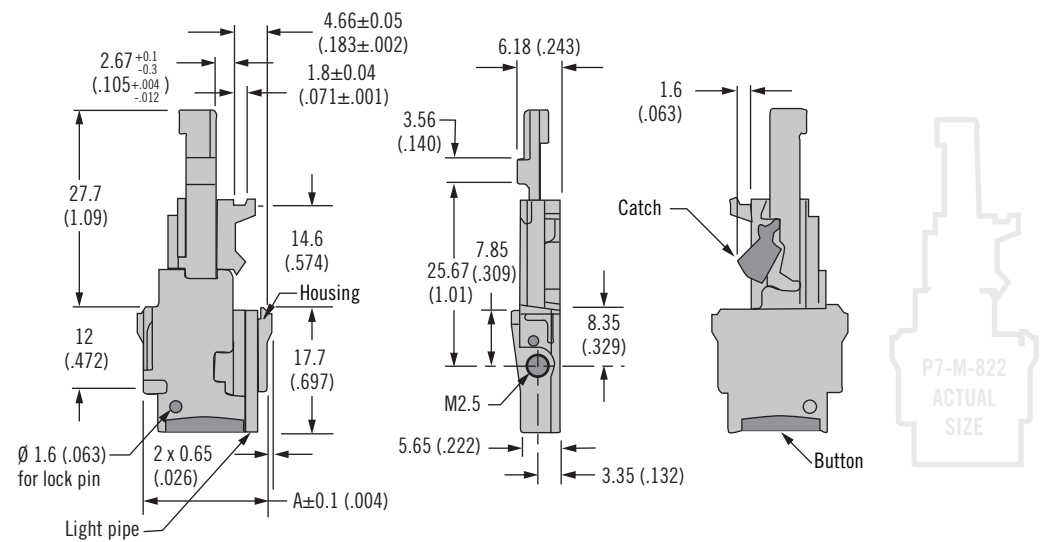
P7 AdvancedMC[®] Inject / Eject Mechanism

Flush module handle

- Flush button prevents snagging of handle
- Flush button allows for better aesthetics
- Locking pin feature

Material and Finish

Handle/shaft: Zinc alloy, black epoxy coat
Housing, cover and catch: Zinc alloy, bright nickel plate
Light pipe: Polycarbonate clear
AdvancedMC is a registered trademark of PICMG[®] - PCI Industrial Computer Manufacturers Group, Inc.



Part Number	Handle Size	A
P7-M-822	Mid size 4HP	17.55 (.691)
P7-M-823	Full size 6HP	27.55 (1.085)

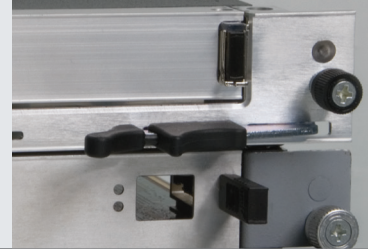
Other options available. For complete details on variety, part numbers, installation and specification, go to



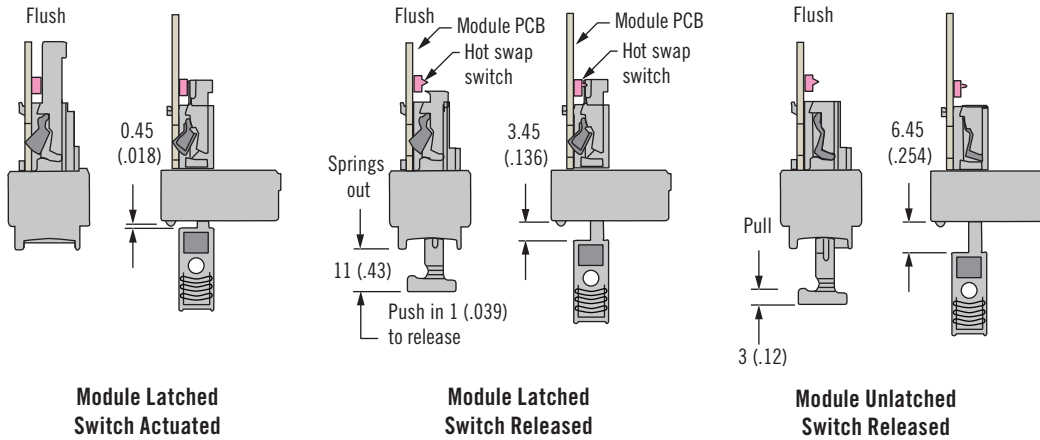
www.southco.com/P7

Dimensions in millimeters (inch) unless otherwise stated

P7 AdvancedMC[®] Inject / Eject Mechanism Operation



Operation



Other options available. For complete details on variety, part numbers, installation and specification, go to

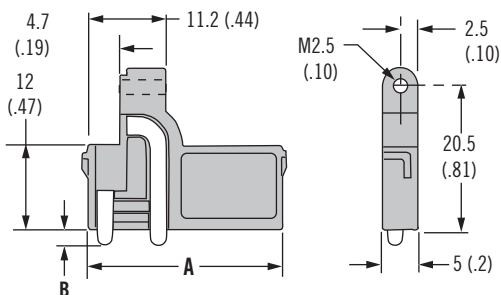


www.southco.com/P7

P7 AdvancedMC[®] Light Pipe Bracket



R2.0



Part Number	Bracket Size	A	B
P7-L-811	Compact	12.50 (.492)	2.1 (.08)
P7-L-812	Mid size	17.55 (.691)	
P7-L-813	Full size	27.55 (1.085)	
P7-L-811-11	Compact flush	12.50 (.492)	0.3 (.012)
P7-L-812-11	Mid size flush	17.55 (.691)	
P7-L-813-11	Full size flush	27.55 (1.085)	

- Easily snaps into faceplate
- Bracket includes light pipe and housing
- Compatibility with all standard Advanced MC[®] faceplates

Material and Finish

Light pipe housing: Zinc alloy, bright chromate
 Light pipe: Polycarbonate, clear

Notes

For R1.0 light pipe bracket go to www.southco.com

AdvancedMC is a registered trademark of PICMG[®] - PCI Industrial Computer Manufacturers Group, Inc.

Dimensions in millimeters (inch) unless otherwise stated

Other options available. For complete details on variety, part numbers, installation and specification, go to



www.southco.com/P7

P7 AdvancedMC[®] Inject / Eject Mechanism

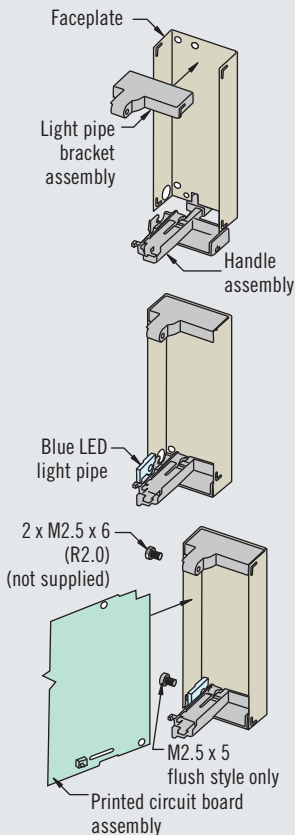
Module handle & light pipe bracket panel preparation

Installation Notes

1. Snap handle assembly and light pipe bracket into faceplate.
2. For R2.0, position blue LED light pipe into handle assembly and faceplate. Light pipe should be positioned against outside wall of handle assembly.
3. Slide PCB in place and secure with screws. Blue LED light pipe is located on component side 2 of the PCB.

Notes

All panel preparation tolerances ± 0.1 (.004)



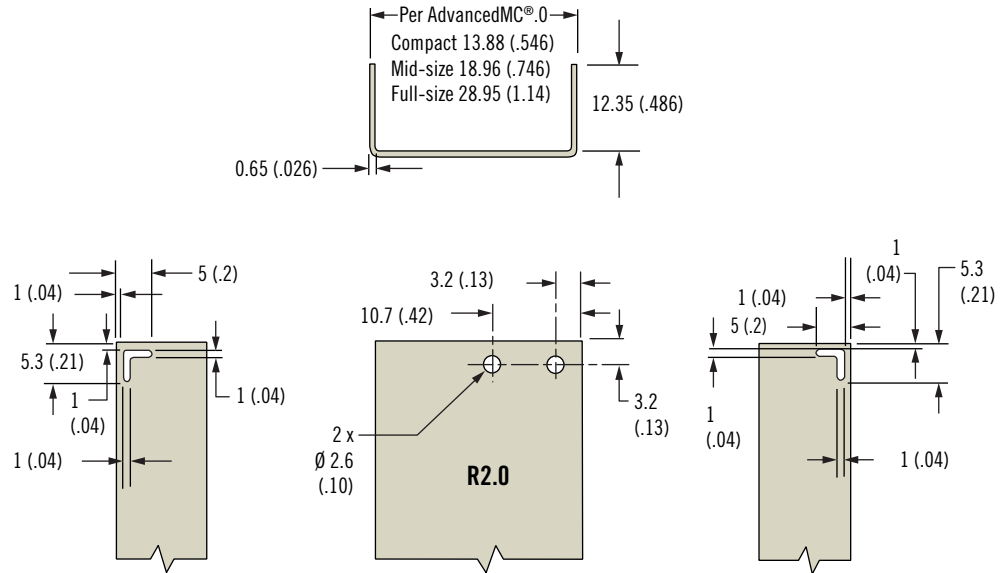
AdvancedMC is a registered trademark of PICMG[®] - PCI Industrial Computer Manufacturers Group, Inc.

Other options available. For complete details on variety, part numbers, installation and specification, go to

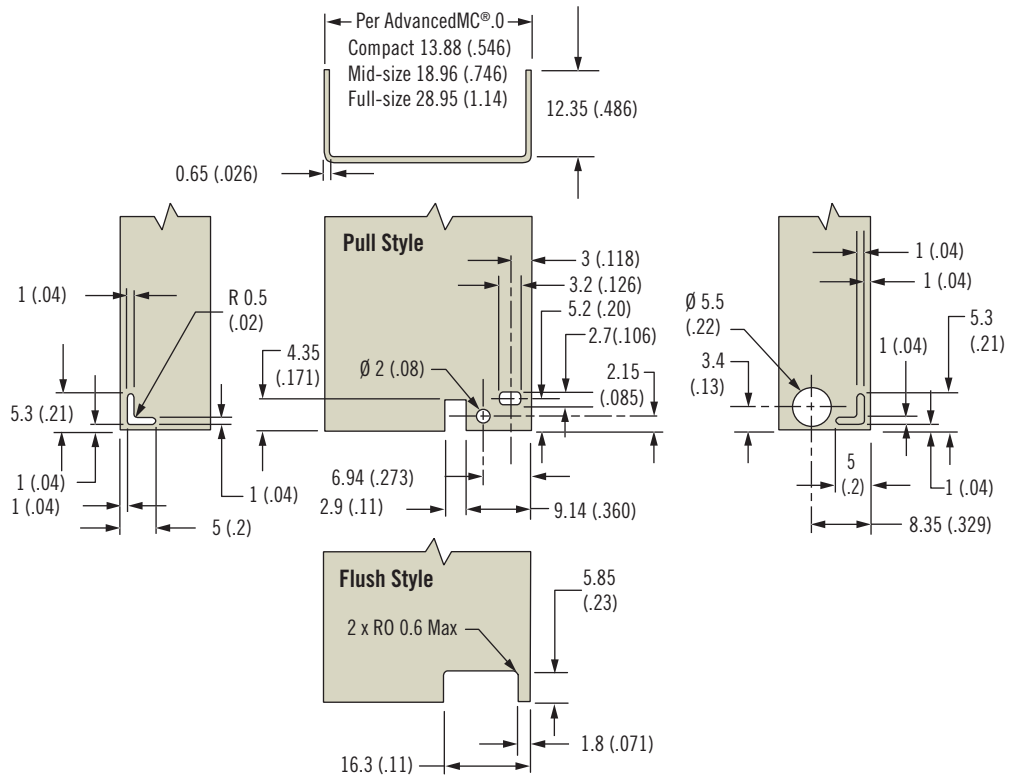


www.southco.com/P7

Panel Preparation Light Pipe Brackets



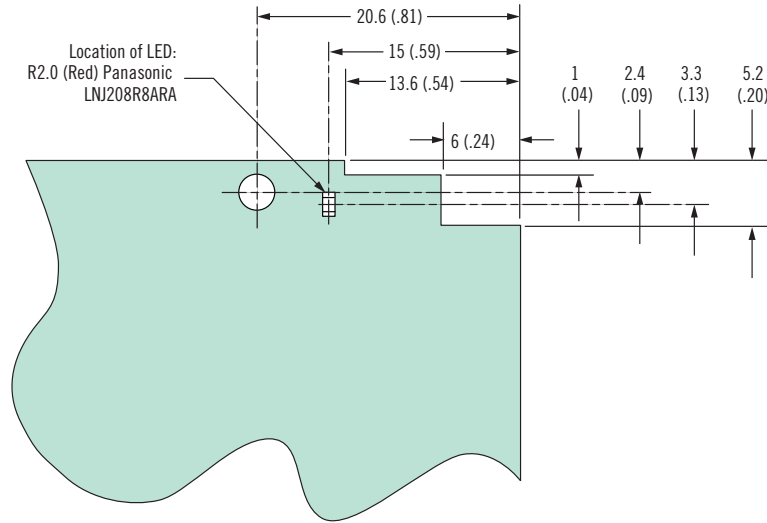
Panel Preparation Module Handles



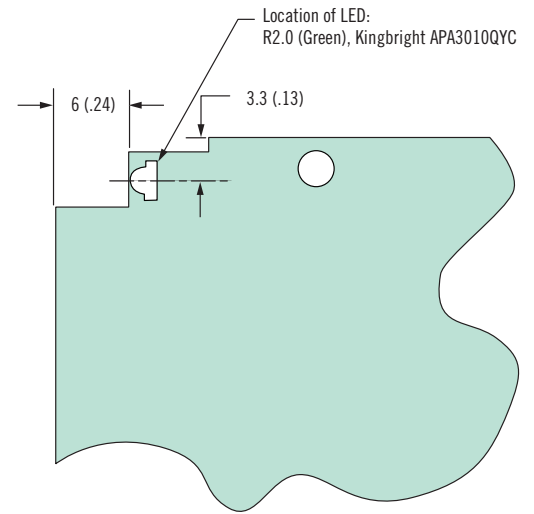
Dimensions in millimeters (inch) unless otherwise stated

PCB Preparation

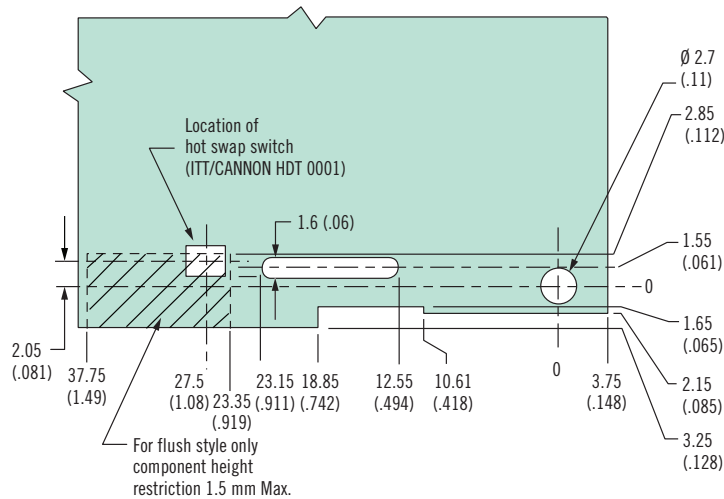
Printed Circuit Board Component Side 1



Printed Circuit Board Component Side 2



Printed Circuit Board Component Side 1



Printed Circuit Board Component Side 2

