



# V7 Draw Latch

Over-center · Stainless steel

- Sleek, smooth low profile design
- Locking and non-locking
- Robust, riveted, tamper-resistant construction

## Material and Finish

316 Grade stainless steel  
electropolished

## Performance Details

Maximum working load:  
1200 N (270 lbf)

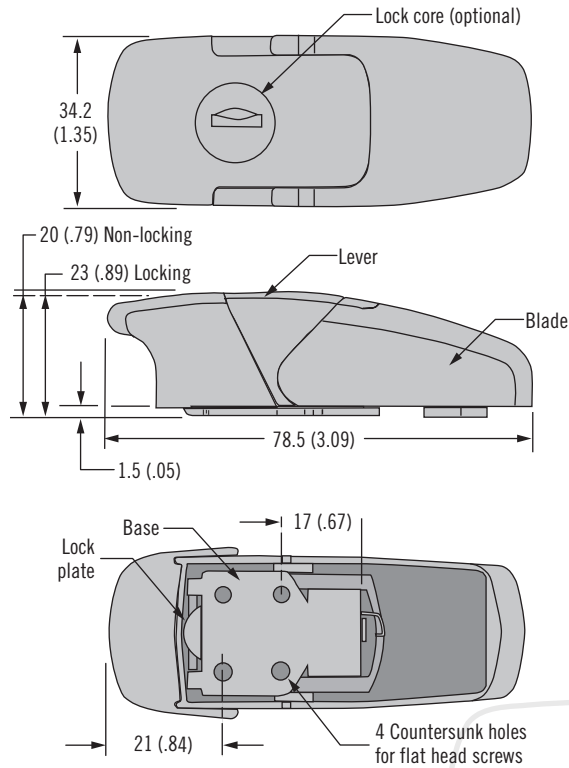
## Installation Notes

Install assembly with six M3 (No. 4)  
flat head screws (not supplied)

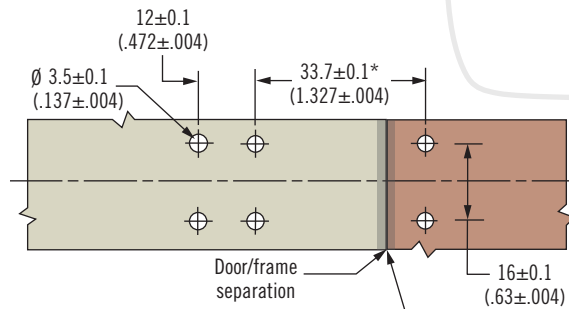
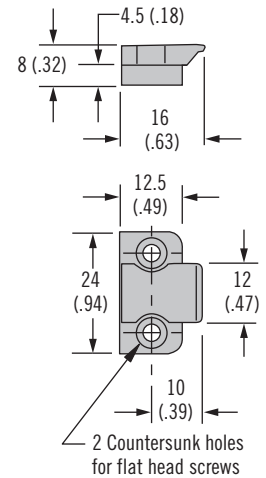
## Keys

Overmolded key S008 (pair)  
Part number: M1-525-39-S008

## Latch



## Keeper



\*Gasket recommended to accommodate panel variations

ACTUAL SIZE

## Part Number

See table

Assembly complete with keeper

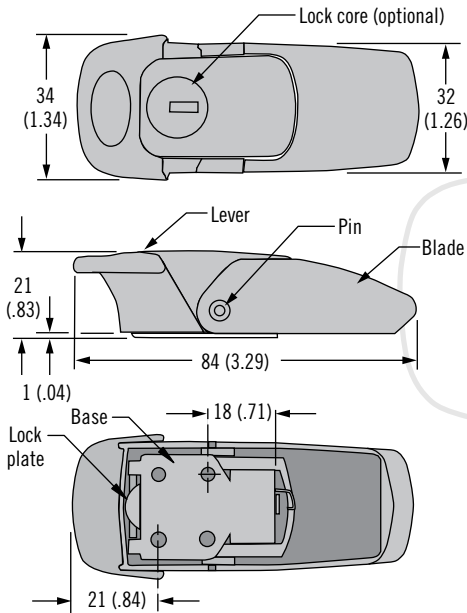
Description	Part Number
Non-locking	V7-20-101-24
Locking keyed alike key code S008 (2 keys supplied)	V7-20-111-24

# V7 Draw Latch

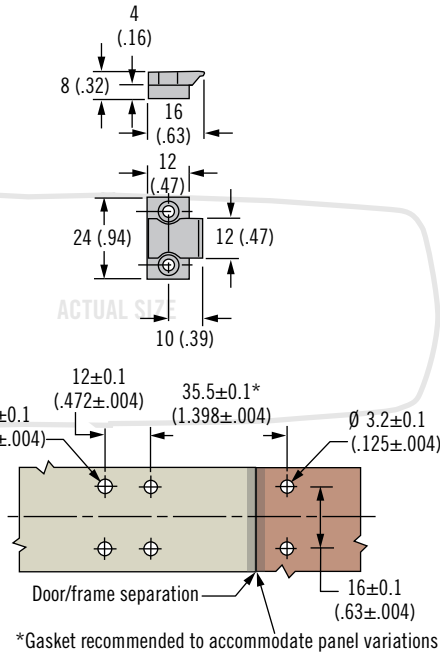
Over-center · Zinc alloy



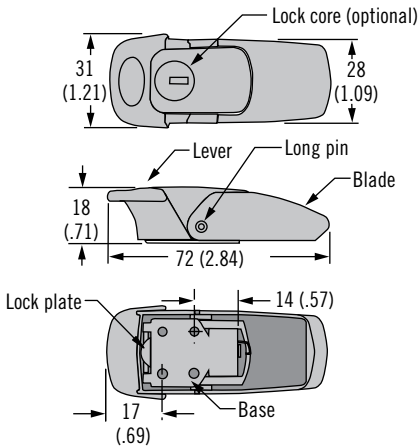
## Latch Large



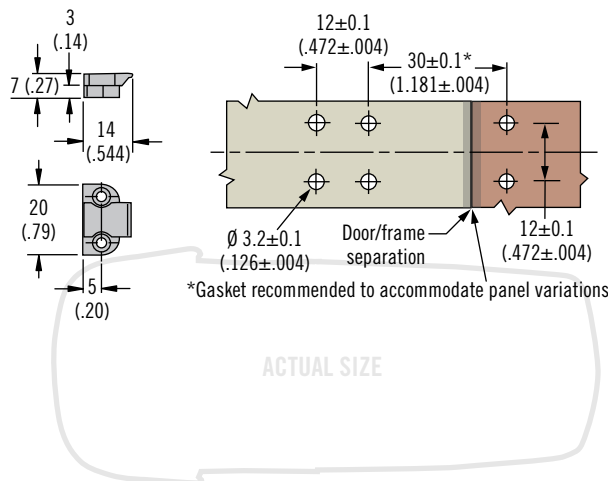
## Keeper



## Latch Small



## Keeper



- Sleek, smooth low profile design
- Locking and non-locking
- Robust, riveted, tamper-resistant construction

### Material and Finish

Zinc alloy, chrome plated or powder coated and stainless steel

### Performance Details

Maximum working load:  
1200 N (270 lbf)

### Installation Notes

Install assembly with six M3 (No. 4) flat head screws (not supplied)

### Keys

Key code S010 (pair)  
Part number: V7-KEYS

Description	Part Number		
	Bright Chrome	Satin Chrome	Black Powder Coated
Small, non-locking	V7-10-105-10	V7-10-105-20	V7-10-105-50
Small, locking (2 keys supplied)	V7-10-115-10	V7-10-115-20	V7-10-115-50
Large, non-locking	V7-20-101-10	V7-20-101-20	V7-20-101-50
Large, locking (2 keys supplied)	V7-20-111-10	V7-20-111-20	V7-20-111-50

### Part Number

See table  
Assembly complete with keeper

